

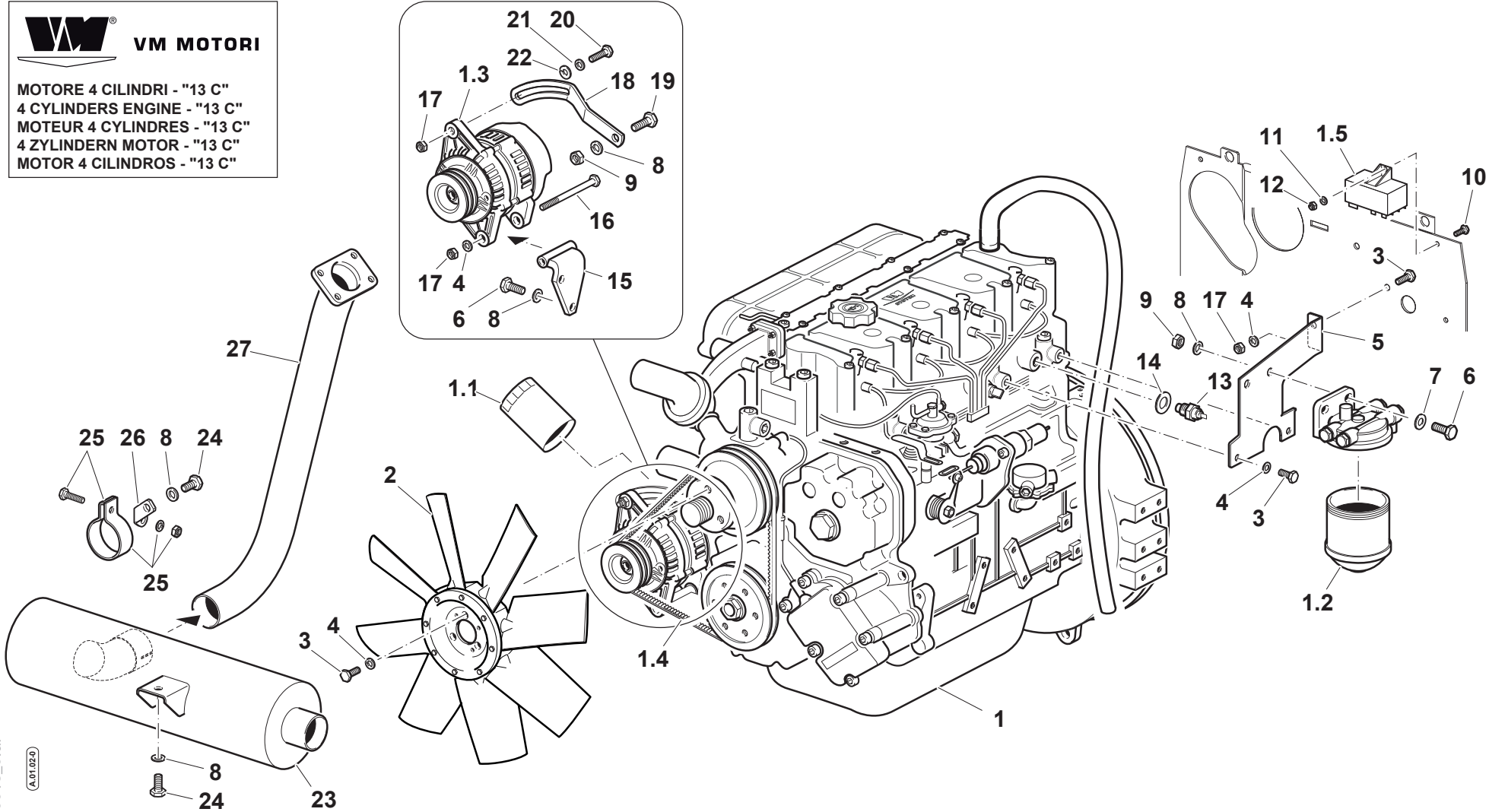
Inhoudsopgave

Achteras Aandrijving	88
Achteras Behuizing	64
Brandstof Tank	16
Bumper & Motorkapsluiting	18
Dashbord	38
Differentieel Slot	92
Driepunt	168
Eindvertraging Wiel	90
Elektrisch	114
Front Gewichten & Beugel	180
Gaskabels	8
Hydrauliek	120
Hydrauliek Hef	132
Hydrauliek PTO - Dif. Slot	128
Hydrauliek Stuur	124
Hydrauliek Ventielen	130
Koppeling	70
Koppeling Pedaal & Aansturing	74
Luchtfiler	12
Mechanisch Slot	86
Middendeel & As	62
Motor	4
Motorkap	20
Oliekoeler	122
P.T.O.	94
P.T.O. Schakeling	106
Radiator & Slangen	10
Rem Pedalen	110
Remmen	108
Rolbeugel & Spatschermen Voor	24
Schakelpoken & Gaffels	82
Schakelpook & Zitting Montage	50
Spatschermen Achter	30
Stickers	34
Tandwielen	78
Treepanken & Kappen	28
Trekhaak	176
Vooras Aandrijving	66
Vooras Behuizing	58
Wielen & Banden	182
Zittingen	54
Parts Index	186

Code	Description	Notes
A.01.02.L50018_0	ENGINE	
A.01.02.L50018_1	ENGINE	
A.02.04.L50021_0	ENGINE CONTROLS	
A.03.02.L50018_0	COOLER	
A.04.01.L50017_0	AIR FILTER	
A.04.02.L50017_0	AIR FILTER WITH EXTERNAL AIR INTAKE	
A.05.01.L50017_0	FUEL TANK	
B.01.02.L50018_0	FRONT SUPPORT	
B.02.01.L50017_0	BONNET	
B.03.01.L50017_0	FRONT MUDGUARDS	
B.04.02.L50020_0	BOARDS	
B.05.01.L50017_0	REAR MUDGUARDS	
B.07.01.L50017_0	PLATES AND STICKERS	
B.08.01.L50017_0	DASHBOARD	
B.08.01.L50017_1	DASHBOARD	
B.08.01.L50017_2	DASHBOARD	
B.10.01.L50020_0	SEAT SUPPORT / GEAR LEVERS COVER	
B.12.01.L50017_0	SEAT (STANDARD)	
B.12.02.L50017_0	SEAT (KAB)	
C.01.01.L50017_0	FRONT AXLE	
C.02.01.L50017_0	CENTRAL SECTION	
C.03.01.L50017_0	REAR AXLE	
D.01.01.L50017_0	FRONT TRANSMISSION	
D.02.01.L50017_0	CLUTCH FRONT SHAFT/ TRANSMISSION CLUTCH	
D.02.01.L50017_1	CLUTCH FRONT SHAFT/ TRANSMISSION CLUTCH	
D.03.01.L50017_0	CLUTCH CONTROLS	
D.04.01.L50017_0	INPUT SHAFT/RANGES MAIN SHAFT/GEARS	
D.05.01.L50017_0	GEARS MAIN SHAFT/GEARS	
D.07.01.L50017_0	GEARBOX CONTROLS	
D.08.01.L50017_0	LOCK MECCANICO	
D.09.01.L50017_0	REAR TRANSMISSION	
D.10.01.L50017_0	EPYCICLIC REDUCTION GEARS	
D.11.01.L50017_0	SLIDING GEAR	
D.12.01.L50017_0	POWER TAKE-OFF	

Code	Description	Notes
D.12.01.L50017_1	POWER TAKE-OFF	
D.13.01.L50017_0	POWER TAKE-OFF CONTROLS	
D.14.01.L50017_0	BRAKES	
D.15.02.L50020_0	BRAKES CONTROLS	
E.01.01.L50017_0	FRONT ELECTRICAL SYSTEM	
E.02.02.L50018_0	ENGINE ELECTRIC SYSTEM	
E.03.02.L50020_0	REAR ELECTRICAL SYSTEM	
F.01.02.L50018_0	HYDR. SYSTEM DOUBLE OIL SUCTION	
F.02.02.L50018_0	HYDR. SYSTEM : HEAT EXCHANGER	
F.03.02.L50020_0	STEERING HYDR. SYSTEM	
F.04.01.L50017_0	PTO /DIFFERENTIAL LOCK HYDR. SYSTEM	
I.01.01.L50017_0	HYDR. CONTROL VALVES: AVAILABLE PARTS	
L.01.01.L50017_0	RAISE/LOWER LIFT	
L.02.01.L50017_0	FREE DISCHARGE CONTROL VALVES VERSION	
L.02.01.L50017_1	FREE DISCHARGE CONTROL VALVES VERSION	
L.02.02.L50017_0	CONTROL VALVES WITHOUT FREE DISCHARGE VERSION	
L.02.02.L50017_1	CONTROL VALVES WITHOUT FREE DISCHARGE VERSION	
L.02.03.L50020_0	HYDR. SUSPENSION VERSION	
M.01.01.L50017_0	POSITION AND DRAFT CONTROL LIFT	
M.02.01.L50017_0	FREE DISCHARGE CONTROL VALVES VERSION	
M.02.02.L50017_0	CONTROL VALVES WITHOUT FREE DISCHARGE VERSION	
T.01.01.L50017_0	IMPLEMENTS ATTACHMENT - STANDARD	
T.01.02.L50017_0	IMPLEMENTS ATTACHMENT - ADJUSTABLE ARMS WITH QUICK HITCHES	
T.03.01.L50003_0	PULL HOOK - STD	
T.03.02.L50003_0	POOL HOOK "EEC" APPROVED	
T.04.01.L50018_0	FRONT BALLASTS	
W.01.01.L50017_0	WHEELS AND TYRES (TABLE 1/2)	
W.01.02.L50017_0	WHEELS AND TYRES (TABLE 2/2)	

VM MOTORI
 MOTORE 4 CILINDRI - "13 C"
 4 CYLINDERS ENGINE - "13 C"
 MOTEUR 4 CYLINDRES - "13 C"
 4 ZYLINDER MOTOR - "13 C"
 MOTOR 4 CILINDROS - "13 C"



Pos.	Code	Q.ty	Description	Notes
10	31112090	1	SCREW TE M6X16 UNI 5739 8G	
3	31112150	6	SCREW TE M8X20 UNI 5739 8G	
20	31112152	1	SCREW TE M8X30 UNI 5739 8G	
16	31112174	1	SCREW TE M8X110 UNI 5737 8.8	
24	31112210	2	SCREW TE M10X20 UNI 5739	
19	31112211	1	SCREW TE M10X30 UNI 5739	
6	31112219	4	SCREW TE M10X25 UNI 5739	
12	31212060	1	NUT	
22	31411090	1	WASHER 9x24	
7	31411105	2	WASHER 10,5x21	
21	31421083	1	WASHER	
1	41S50000	1	MOT.VM D754E1.20A (41S50001) *	
26	56075120	1	BRACKET	
18	56174728	1	TENSION ROLLER	
5	56175189	1	RETAINER	
13	58170233	1	DIGITAL INSTRUMENT	
1,1	58171199	1	OIL FILTER CARTRIDGE	
1,2	58171200	1	FUEL FILTER CARTRIDGE	
23	58174612	1	EXHAUST SILENCER	
2	58174959	1	FAN	
25	58175121	1	COLLAR	
27	59074624	1	EXHAUST	
15	59074727	1	SUPPORT	
1,4	59900337	1	BELT	
1,3	59900344	1	ALTERNATOR	
1,5	59900345	1	CENTRAL PROCESSING UNIT	
17	F0814574000	3	NUT	
9	F0814632000	3	NUT M10	
11	F0843570000	1	WASHER 6	
4	F0843643060	7	WASHER 8	
8	F0843755000	7	WASHER 10	
14	F0844030070	1	COPPER WASHER 16,0x22/1,5	

SERIAL

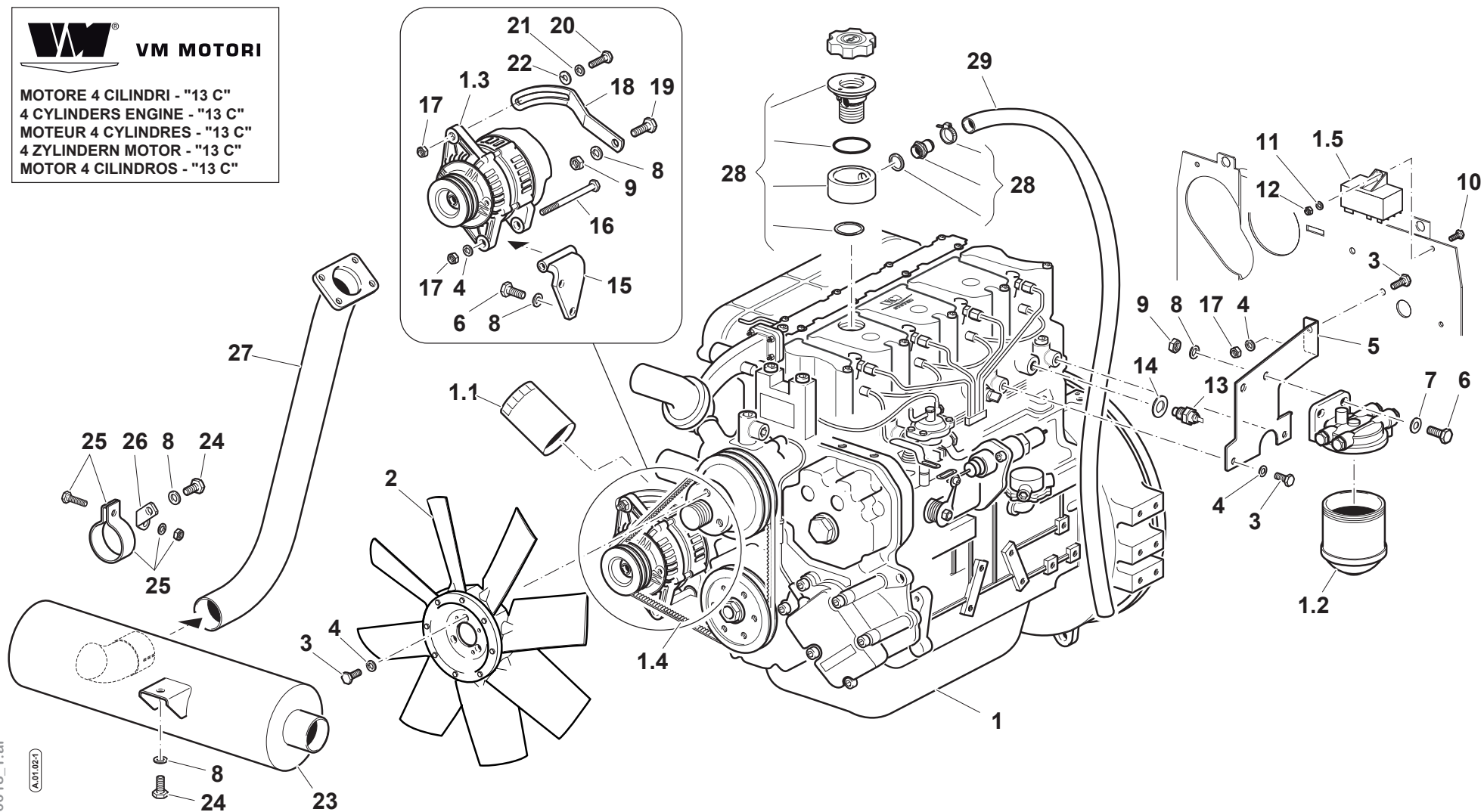
ENGINE

CODE REV

A.01.02.L50018_0

VM MOTORI

MOTORE 4 CILINDRI - "13 C"
 4 CYLINDERS ENGINE - "13 C"
 MOTEUR 4 CYLINDRES - "13 C"
 4 ZYLINDER MOTOR - "13 C"
 MOTOR 4 CILINDROS - "13 C"



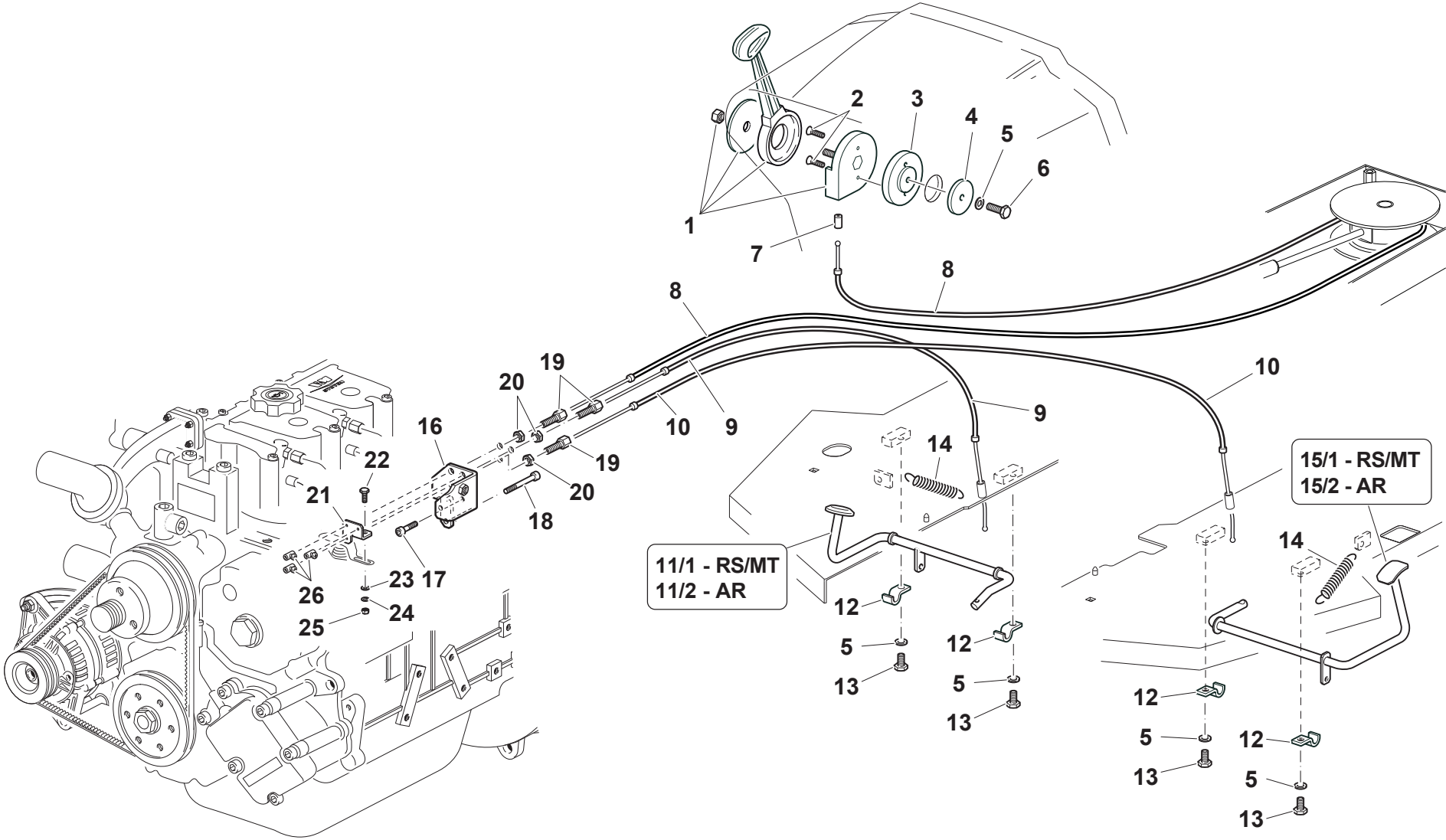
Pos.	Code	Q.ty	Description	Notes
10	31112090	1	SCREW TE M6X16 UNI 5739 8G	
3	31112150	6	SCREW TE M8X20 UNI 5739 8G	
20	31112152	1	SCREW TE M8X30 UNI 5739 8G	
16	31112174	1	SCREW TE M8X110 UNI 5737 8.8	
24	31112210	2	SCREW TE M10X20 UNI 5739	
19	31112211	1	SCREW TE M10X30 UNI 5739	
6	31112219	4	SCREW TE M10X25 UNI 5739	
12	31212060	1	NUT	
22	31411090	1	WASHER 9x24	
7	31411105	2	WASHER 10,5x21	
21	31421083	1	WASHER	
1	41S50001	1	MOTORE VM D754E1.20A+SFIATO *	
26	56075120	1	BRACKET	
18	56174728	1	TENSION ROLLER	
5	56175189	1	RETAINER	
29	58075607	1	OIL PIPE	
1,1	58171199	1	OIL FILTER CARTRIDGE	
1,2	58171200	1	FUEL FILTER CARTRIDGE	
23	58174612	1	EXHAUST SILENCER	
2	58174959	1	FAN	
25	58175121	1	COLLAR	
13	58175773	1	ELECTRONICAL THERMOMETER	
27	59074624	1	EXHAUST	
15	59074727	1	SUPPORT	
1,4	59900337	1	BELT	
1,3	59900344	1	ALTERNATOR	
1,5	59900345	1	CENTRAL PROCESSING UNIT	
28	59900357	1	DIGITAL INSTRUMENT	
17	F0814574000	3	NUT	
9	F0814632000	3	NUT M10	
11	F0843570000	1	WASHER 6	
4	F0843643060	7	WASHER 8	
8	F0843755000	7	WASHER 10	
14	F0844030070	1	COPPER WASHER 16,0x22/1,5	

SERIAL

ENGINE

CODE REV

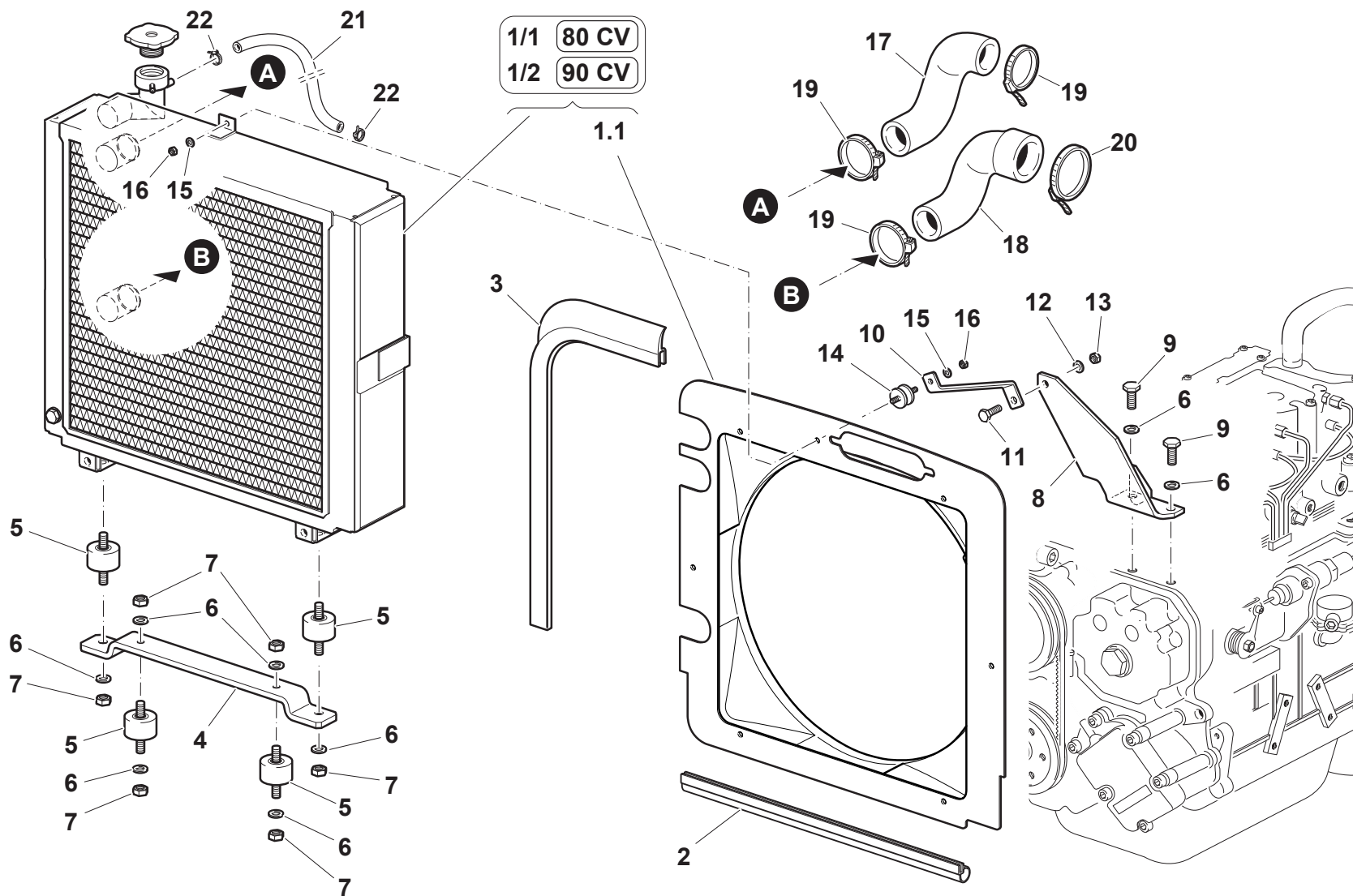
A.01.02.L50018_1



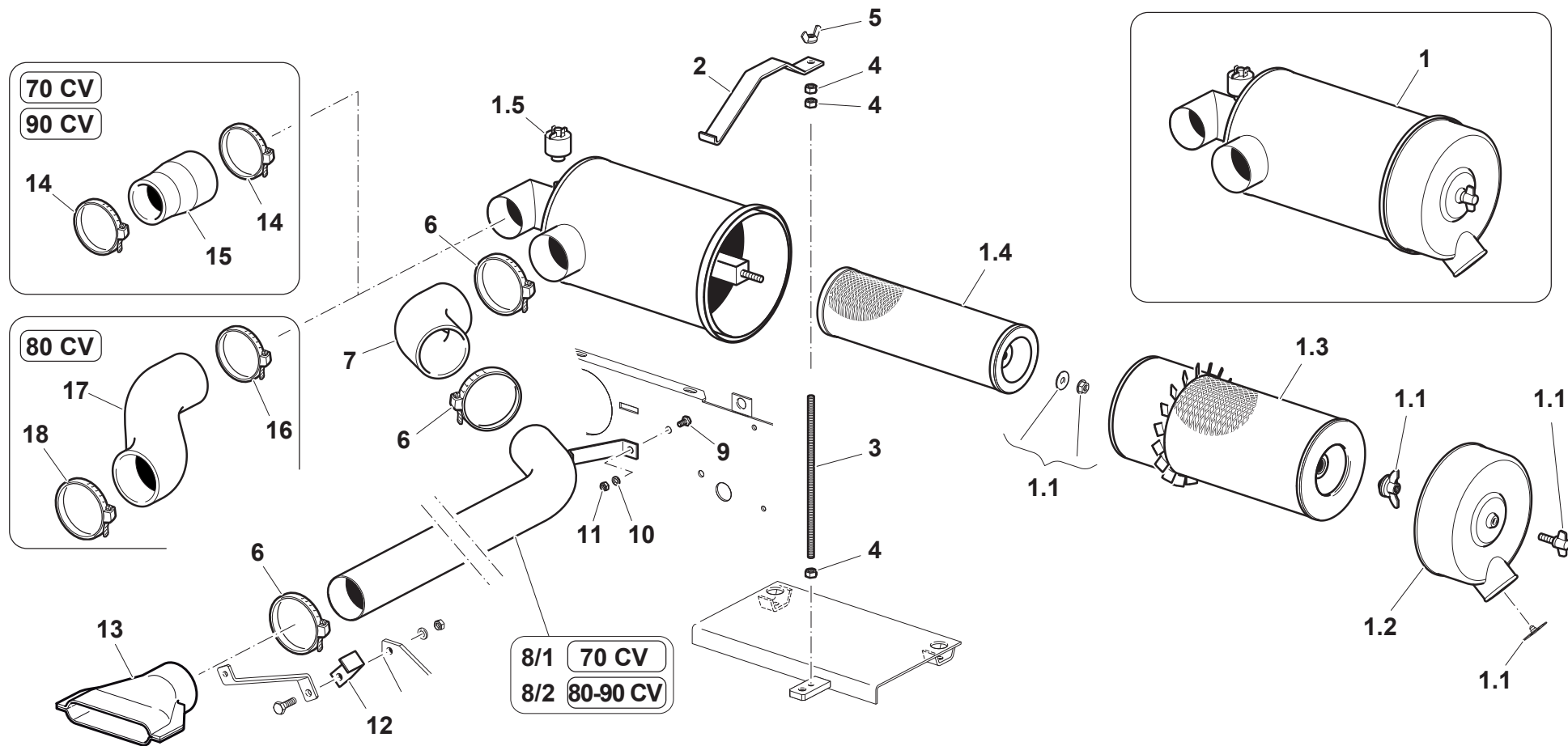
A.02.04.L50021_0.ai
A.02.04-0

Pos.	Code	Q.ty	Description	Notes
22	31112051	1	SCREW TE M5X14 UNI 5739 8G	
13	31112148	4	SCREW TE M8X18 UNI 5739 8G	
6	31112150	1	SCREW TE M8X20 UNI 5739 8G	
2	31132562	2	SCREW TSVEI M6X16 UNI 5933	
17	31152060	1	SCREW TCEI M6X30 UNI 5931	
18	31152068	1	SCREW TCEI M6X55 UNI 5931	
25	31211050	1	NUT M5	
20	31231080	3	NUT M8	
23	31411053	1	WASHER 5,3x10	
12	56071768	4	PLATE	
3	56171877	1	FLANGE	
4	56171883	1	WASHER	
21	56174660	1	CONNECTION	
16	56174661	1	BRACKET	
26	58048002	3	CLAMPING SCREW	
9	58072074	1	CABLE	
10	58072075	1	CABLE	
8	58074832	1	CABLE	
11/02	59073681	1	ACCEL. PEDAL	
15/02	59074213	1	ACCEL. PEDAL	
11/01	59074346	1	ACCEL. PEDAL	
15/01	59074347	1	ACCEL. PEDAL	
1	F0828029070	1	ACCELERATOR	
14	F0831125000	2	SPRING	
24	F0843561000	1	WASHER 5	
5	F0843643060	5	WASHER 8	
19	F0858021000	3	REGISTER	
7	F0858520000	1	SLEEVE	

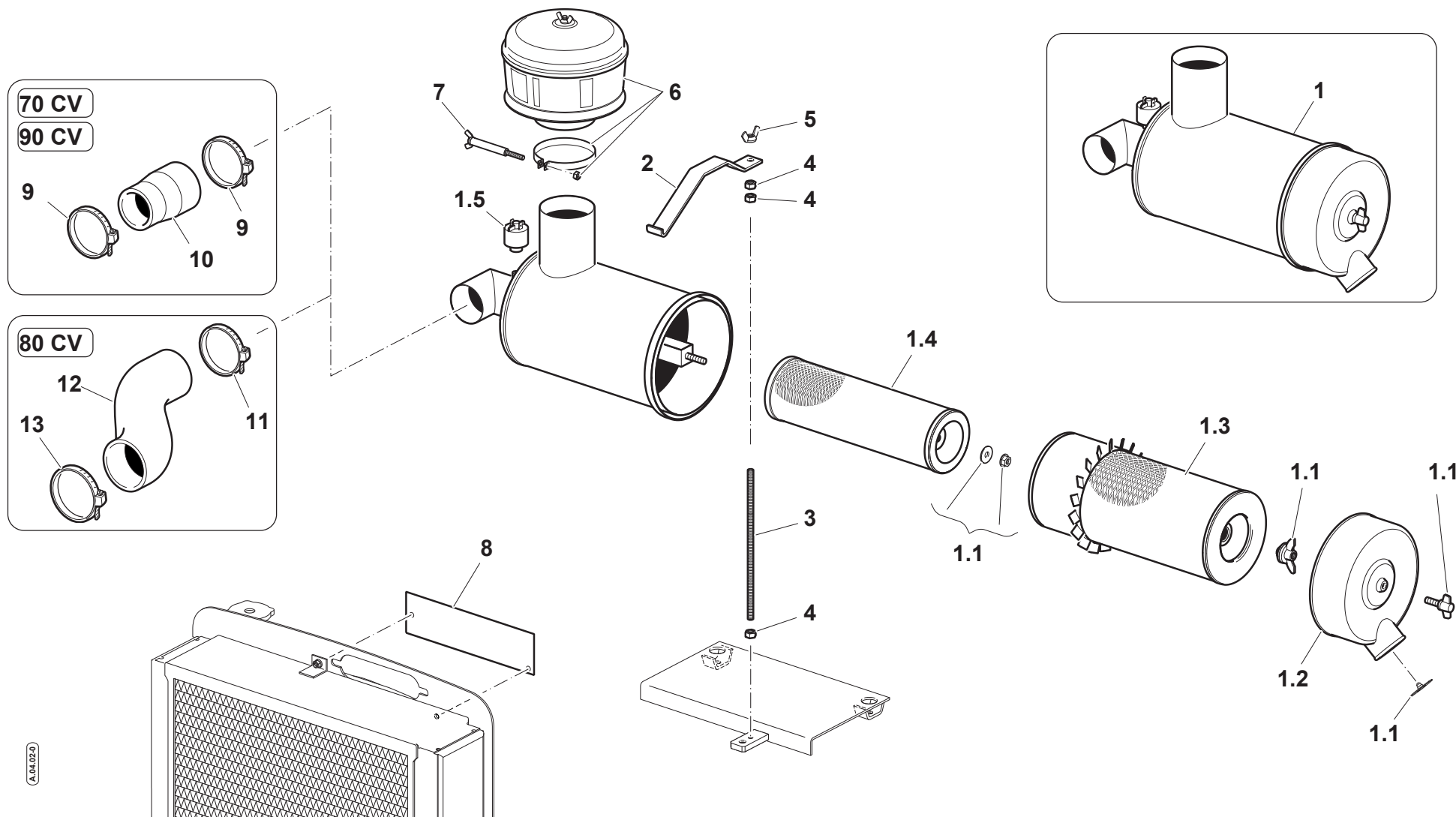
COOLER



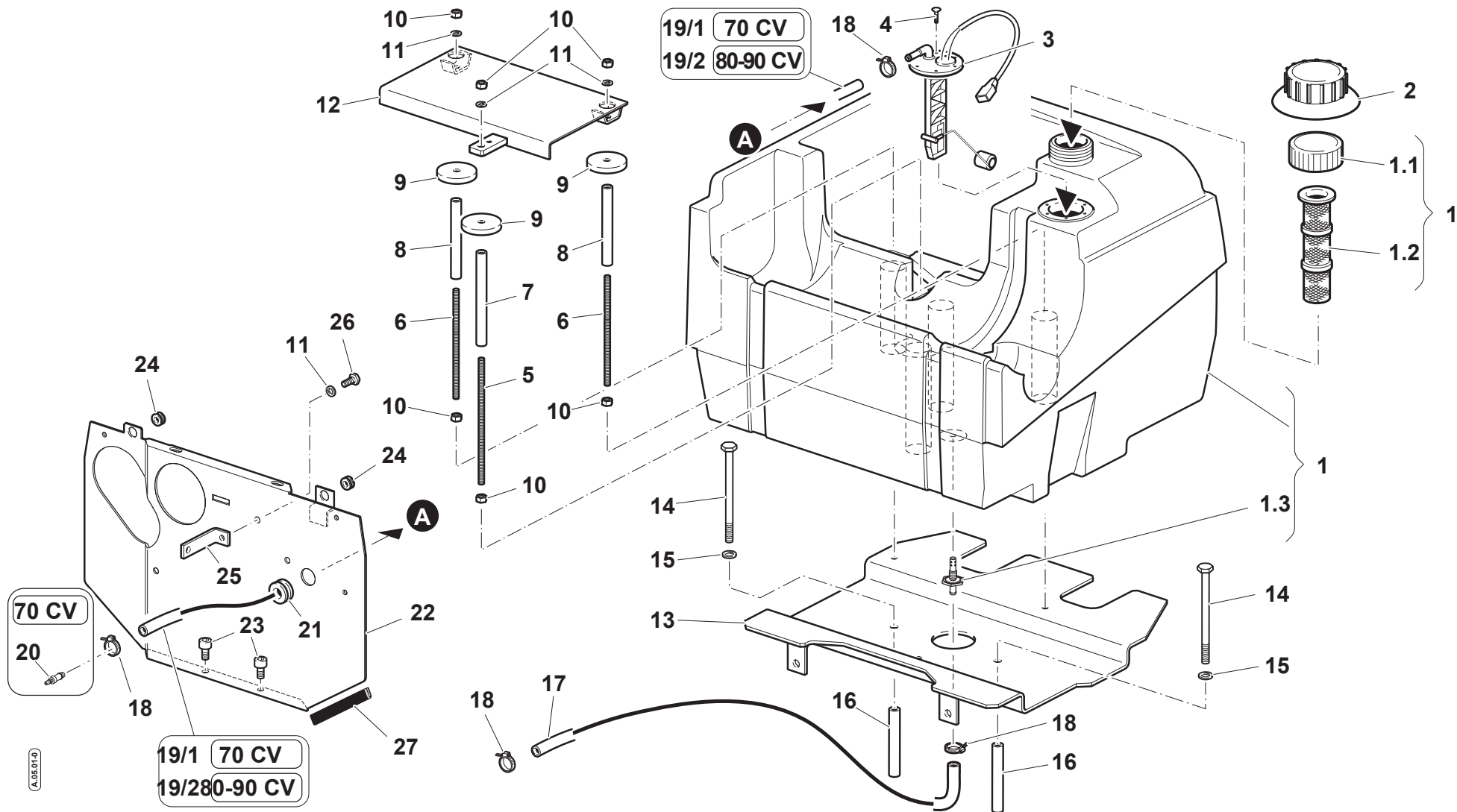
Pos.	Code	Q.ty	Description	Notes
11	31112151	1	SCREW TE M8X25 UNI 5739 8G	
9	31112219	2	SCREW TE M10X25 UNI 5739	
17	55174632	1	SLEEVE	
18	55174633	1	SLEEVE	
4	56174629	1	FIXING BRACKET	
10	56174631	1	FIXING BRACKET	
21	58074874	1	VENT HOSE	
1/02	58174604	1	RADIATOR	
1/01	58174605	1	RADIATOR	
5	58174608	4	SILENT-BLOCK	
1,1	58175085	1	DUCT	
8	59074630	1	FIXING BRACKET	
3	F0256809050	1	GASKET	
16	F0814545000	2	NUT M6	
13	F0814574000	1	NUT	
7	F0814632000	6	NUT M10	
22	F0817512000	2	CLAMP	
19	F0817535000	3	CLAMP	
20	F0817550000	1	CLAMP	
15	F0843570000	2	WASHER 6	
12	F0843643060	1	WASHER 8	
6	F0843755000	8	WASHER 10	
14	F0849206005	1	SILENT-BLOCK	
2	P000000260007	1	GASKET	



Pos.	Code	Q.ty	Description	Notes
9	31112082	1	SCREW TE M6X12 UNI 5739 8G	
5	31200501	1	NUT M8	
7	55172355	1	SLEEVE	
15	55174760	1	SLEEVE	
17	55174761	1	SLEEVE	
3	56174635	1	ROD	
2	56174636	1	FIXING BRACKET	
12	56174637	1	FIXING BRACKET	
13	57372341	1	SOCKET	
1,4	58171027	1	CARTOUCHE	
1,3	58171028	1	CARTOUCHE	
1	58172359	1	AIR FILTER	
1,5	58173165	1	INDICATOR	
08-feb	59074638	1	PIPE	
08-gen	59075190	1	PIPE	
1,2	59900347	1	COVER	
1,1	59900353	1	KIT	
11	F0814574000	1	NUT	
4	F0814574000	3	NUT	
14	F0817568000	2	CLAMP	
16	F0817568000	1	CLAMP	
18	F0817568100	1	CLAMP	
6	F0817568100	3	CLAMP	
10	F0843570000	1	WASHER 6	



Pos.	Code	Q.ty	Description	Notes
5	31200501	1	NUT M8	
10	55174760	1	SLEEVE	
12	55174761	1	SLEEVE	
3	56174635	1	ROD	
2	56174636	1	FIXING BRACKET	
8	56174976	1	STRIKER PLATE	
1,4	58171027	1	CARTOUCHE	
1,3	58171028	1	CARTOUCHE	
6	58171069	1	PRECLEANER	
1,5	58173165	1	INDICATOR	
1	58175044	1	AIR FILTER	
7	59073184	1	SCREW	
1,2	59900347	1	COVER	
1,1	59900353	1	KIT	
4	F0814574000	3	NUT	
11	F0817568000	1	CLAMP	
9	F0817568000	2	CLAMP	
13	F0817568100	1	CLAMP	



Pos.	Code	Q.ty	Description	Notes
14	31111218	2	SCREW TE M10X140 UNI 5737 8G	
26	31112150	1	SCREW TE M8X20 UNI 5739 8G	
1	55274314	1	FUEL TANK	
9	56170275	3	SPACER	
16	56170276	2	SPACER	
20	56172950	1	PIPE FITTING	
25	56174618	1	FIXING BRACKET	
5	56174619	1	ROD	
6	56174620	2	ROD	
7	56174621	1	SPACER	
8	56174622	2	SPACER	
1,3	57174915	1	PIPE FITTING	
2	57371900	1	LINING	
17	58070690	1	PIPE	
19-feb	58074895	1	PIPE	
19-gen	58075193	1	FLEXIBLE HOSE	
3	58170238	1	CONTROL	
21	58171901	1	CABLE GLAND 15,5-24-32-2	
13	59072380	1	SUPPORT	
22	59074617	1	DIVISION	
12	59074639	1	BATTERY SUPPORT	
27	F0256808000	1	FLAT BAND	
10	F0814574000	6	NUT	
18	F0817512000	4	CLAMP	
24	F0825414000	2	CABLE GLAND 7-15-18,5-2,5	
11	F0843643060	4	WASHER 8	
15	F0843755000	2	WASHER 10	
1,1	F0849500001	1	TANK COVER	
1,2	F0849500002	1	FILTER	
4	F0861867050	6	SCREW M4,2X19 DIN 7981	
23	F0862464050	2	SCREW UNI 5931	

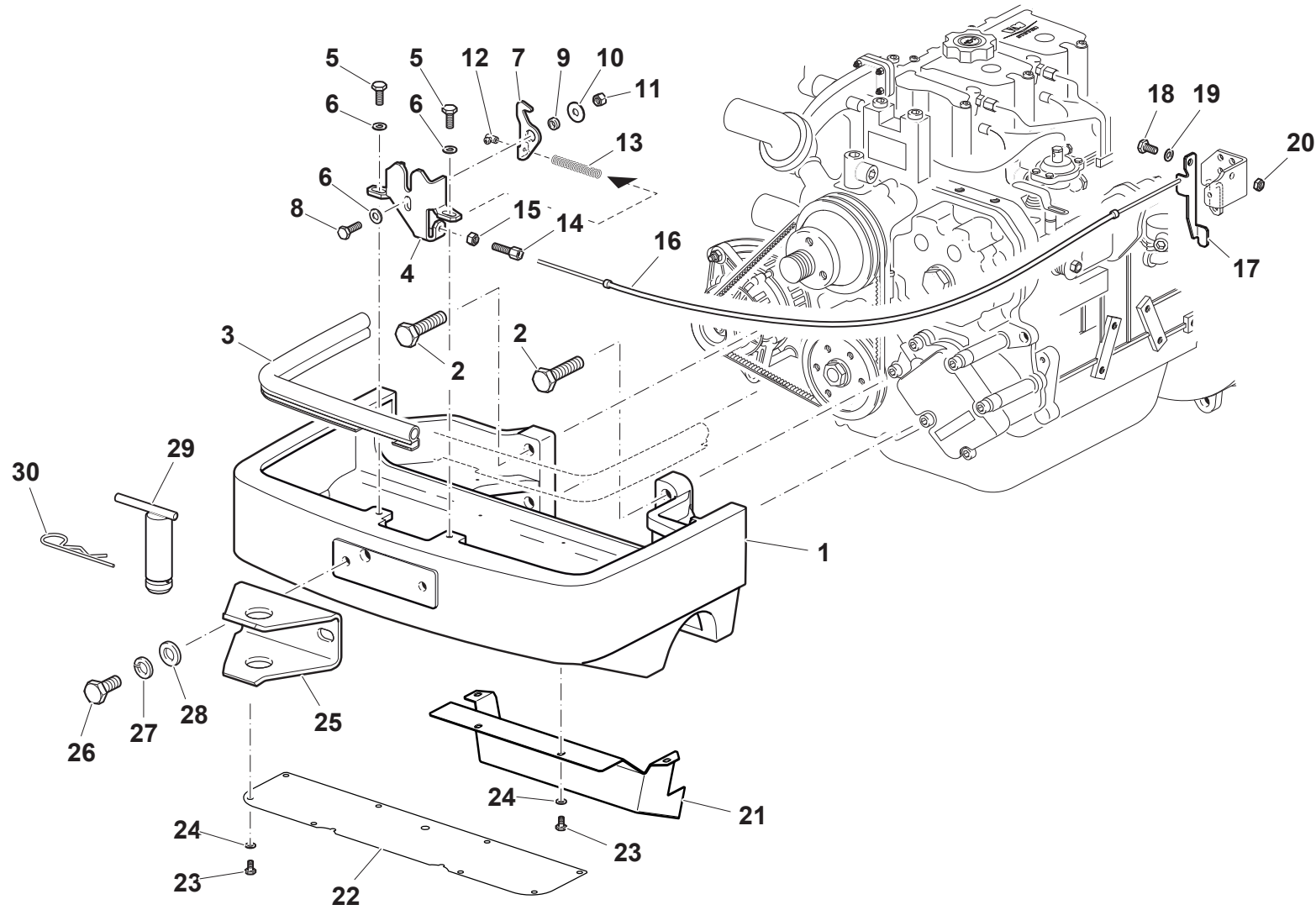
SERIAL

FUEL TANK

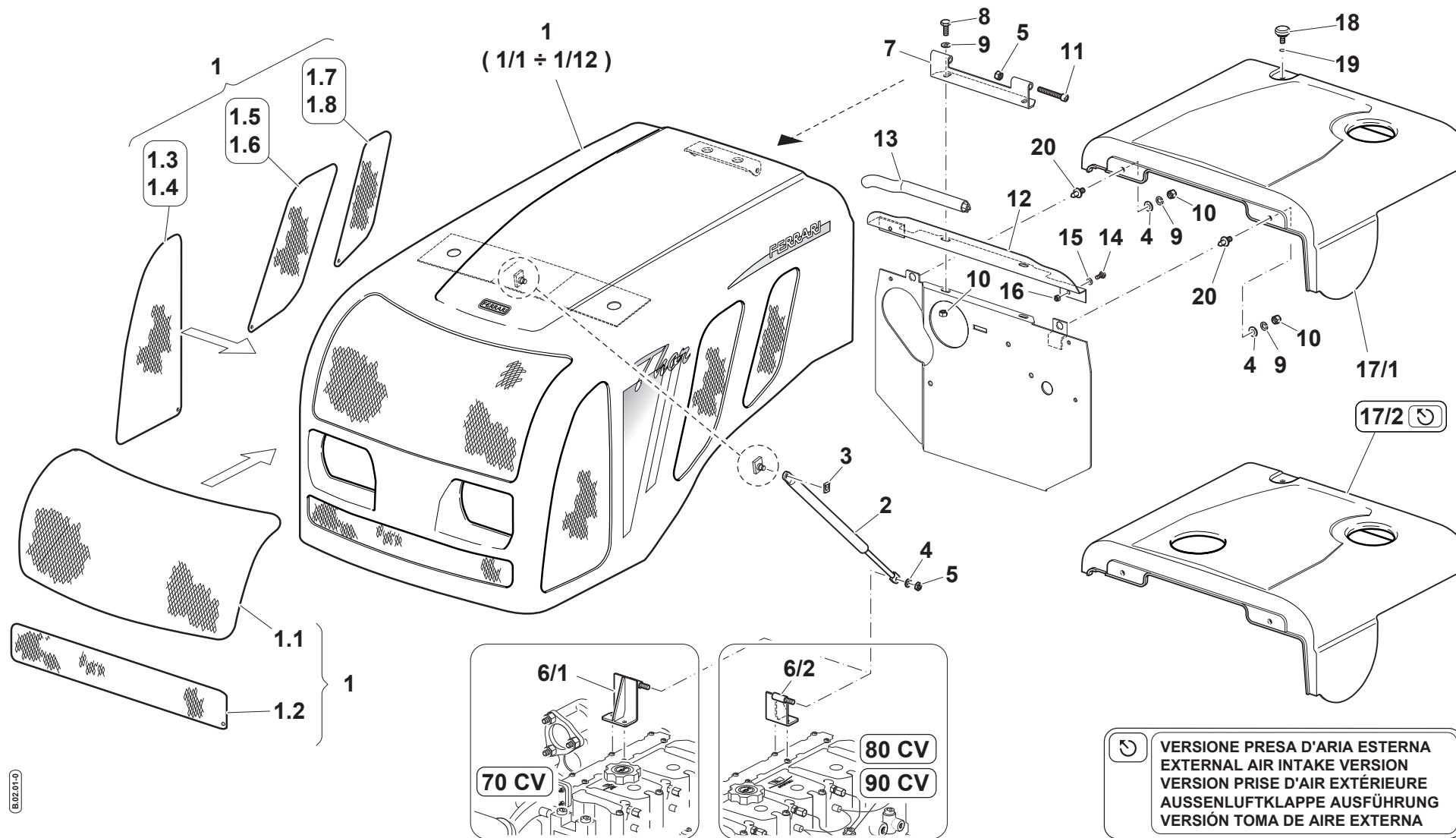
CODE REV

A.05.01.L50017_0

FRONT SUPPORT



Pos.	Code	Q.ty	Description	Notes
18	31111151	1	SCREW TE M8X16 UNI 5739 8G	
2	31111331	4	SCREW TE M14X50 UNI5739 8G	
23	31112082	12	SCREW TE M6X12 UNI 5739 8G	
5	31112150	2	SCREW TE M8X20 UNI 5739 8G	
8	31112151	1	SCREW TE M8X25 UNI 5739 8G	
26	31112328	2	SCREW TE M14X35 UNI 5739	
15	31231080	1	NUT M8	
11	31241080	1	HEXAGON SELFLOCK NUT M8	
6	31411084	3	WASHER 8,4x17	
10	31411090	1	WASHER 9x24	
28	31411150	2	WASHER 15x28	
1	51175800	1	FRONT SUPPORT	
4	56174657	1	FIXING BRACKET	
7	56174658	1	HOOD HOOK	
9	56174659	1	SPACER	
17	56174691	1	LEVER	
25	56174873	1	TOW HOOK	
21	56175158	1	SHIELD	
22	56175799	1	DIVISION	
12	58048002	1	CLAMPING SCREW	
16	58074831	1	CABLE	
3	58174882	1	HOOD SEAL	
29	59075283	1	PIN	
20	F0814569000	1	NUT	
13	F0831065000	1	SPRING	
24	F0843570000	12	WASHER 6	
19	F0843643060	1	WASHER 8	
27	F0843921030	2	WASHER 14	
30	F0851497000	1	SPLIT PIN	
14	F0858021000	1	REGISTER	



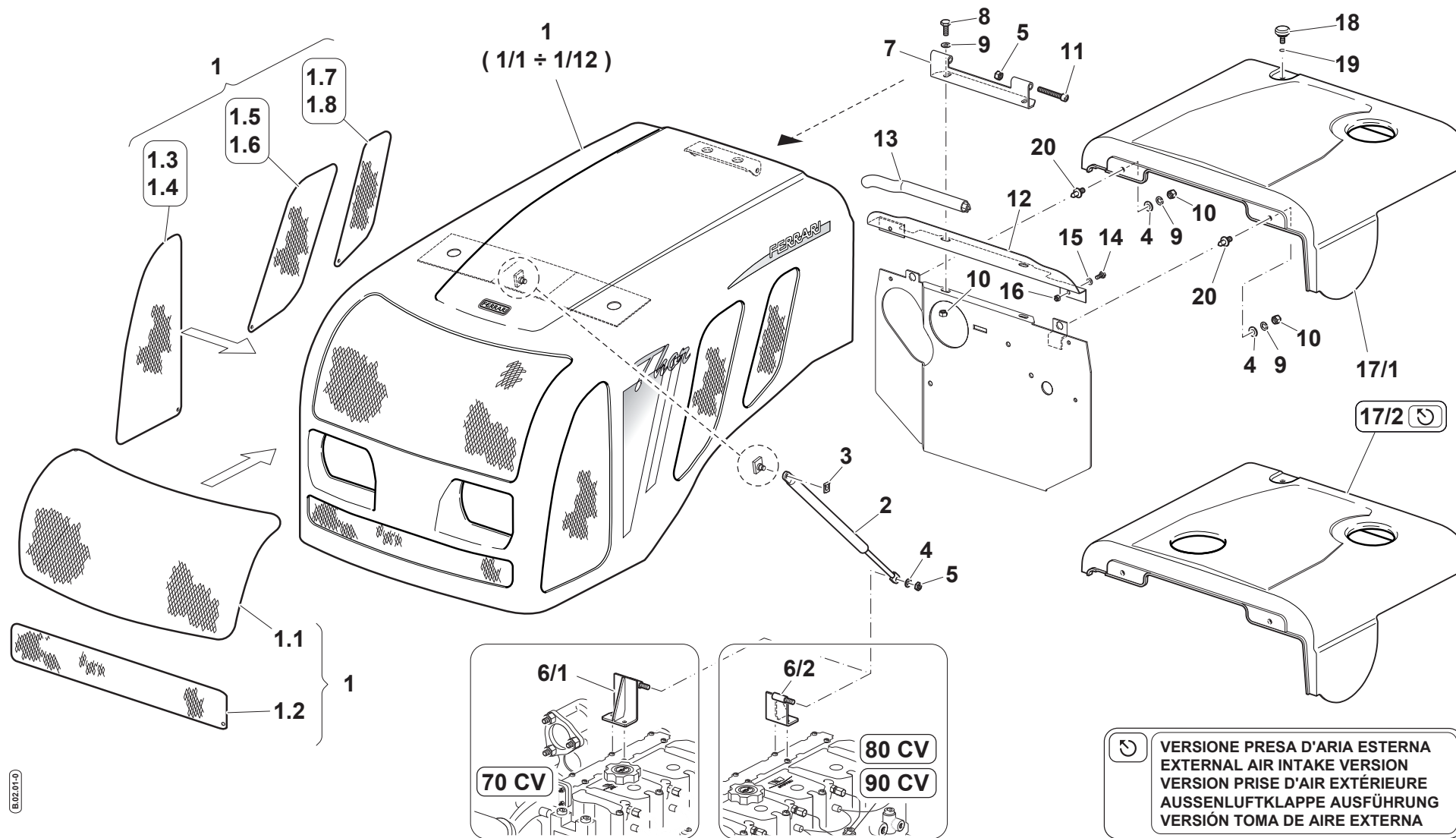
Pos.	Code	Q.ty	Description	Notes
14	31111091	2	SCREW E M6X14 UNI 5739 8G	
8	31112150	2	SCREW TE M8X20 UNI 5739 8G	
11	31152088	2	SCREW TCEI M8X55 UNI 5931	
16	31212060	2	NUT	
4	31411084	3	WASHER 8,4x17	
19	35211060	1	SEEGER RING	
1,1	56174569	1	FRONT GRILL	
1,3	56174647	1	FRONT GRILL	
1,4	56174648	1	FRONT GRILL	
1,2	56174649	1	FRONT GRILL	
1,5	56174650	1	FRONT GRILL	
1,7	56174651	1	FRONT GRILL	
7	56174654	1	BRACKET	
12	56174656	1	HOLDING	
18	56174835	1	KNOB	
1,8	56175364	1	FRONT GRILL	
1,6	56175365	1	FRONT GRILL	
17-gen	57374554	1	COVER	
17-feb	57374977	1	COVER	
3	58170436	1	CLIP	
20	59074662	2	PIN	
06-feb	59075601	1	BRACKET	
06-gen	59075602	1	BRACKET	
01-gen	59900298	1	COMPLETE HOOD	
01-feb	59900299	1	COMPLETE HOOD	
01-mar	59900300	1	COMPLETE HOOD	
01-apr	59900301	1	COMPLETE HOOD	
01-mag	59900302	1	COMPLETE HOOD	
01-giu	59900303	1	COMPLETE HOOD	
01-lug	59900304	1	COMPLETE HOOD	
01-set	59900306	1	COMPLETE HOOD	
01-gen	59900307	1	COMPLETE HOOD	
1/011	59900308	1	COMPLETE HOOD	
1/012	59900309	1	COMPLETE HOOD	

SERIAL

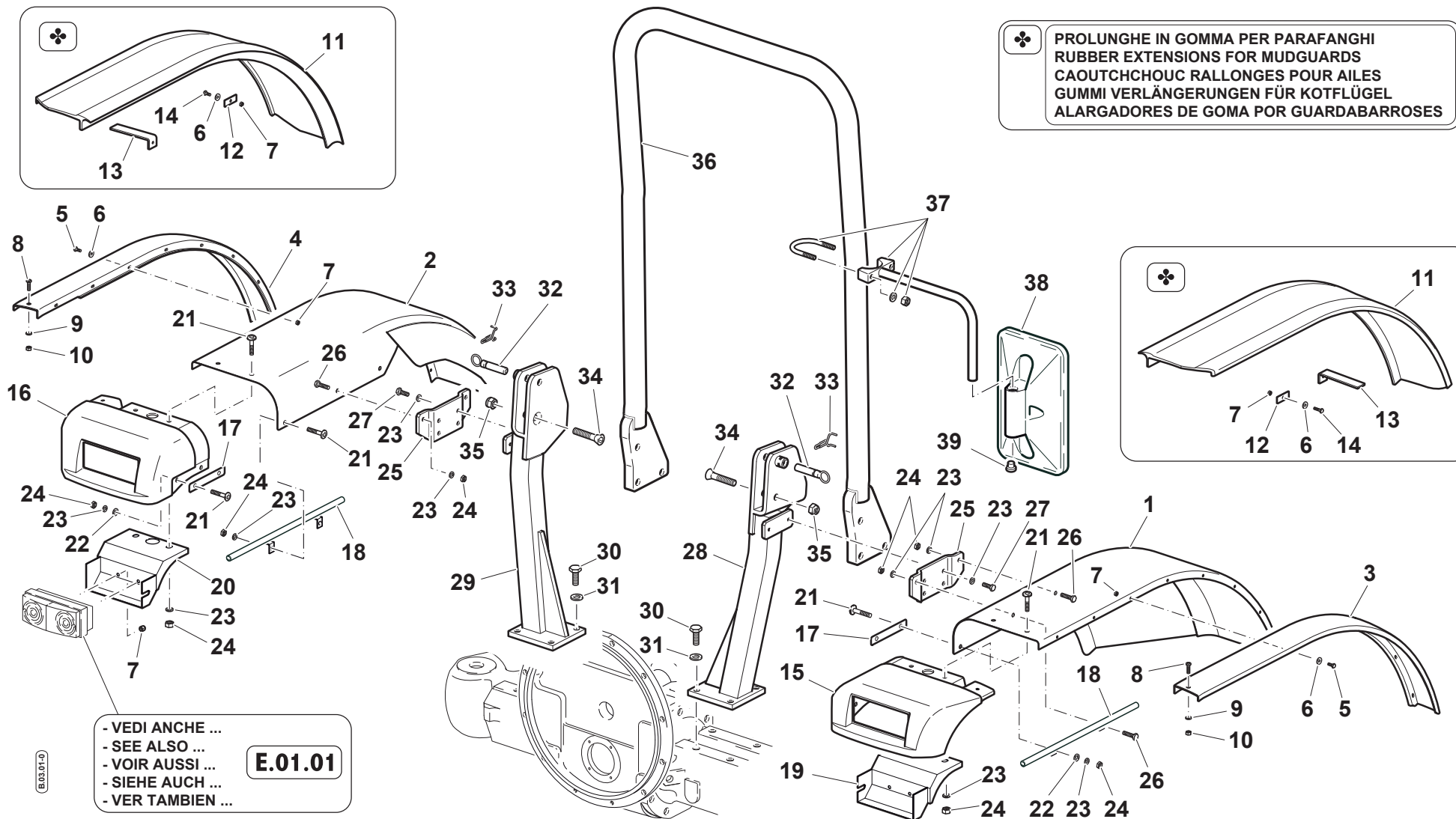
BONNET

CODE REV

B.02.01.L50017_0



Pos.	Code	Q.ty	Description	Notes
10	F0814574000	4	NUT	
5	F0814585000	3	SELFLOCK NUT	
15	F0843570000	2	WASHER 6	
9	F0843643060	4	WASHER 8	
13	P000000260007	1	GASKET	
2	P236410000000	1	SPRING	



B.03.01.L50017_0.ai

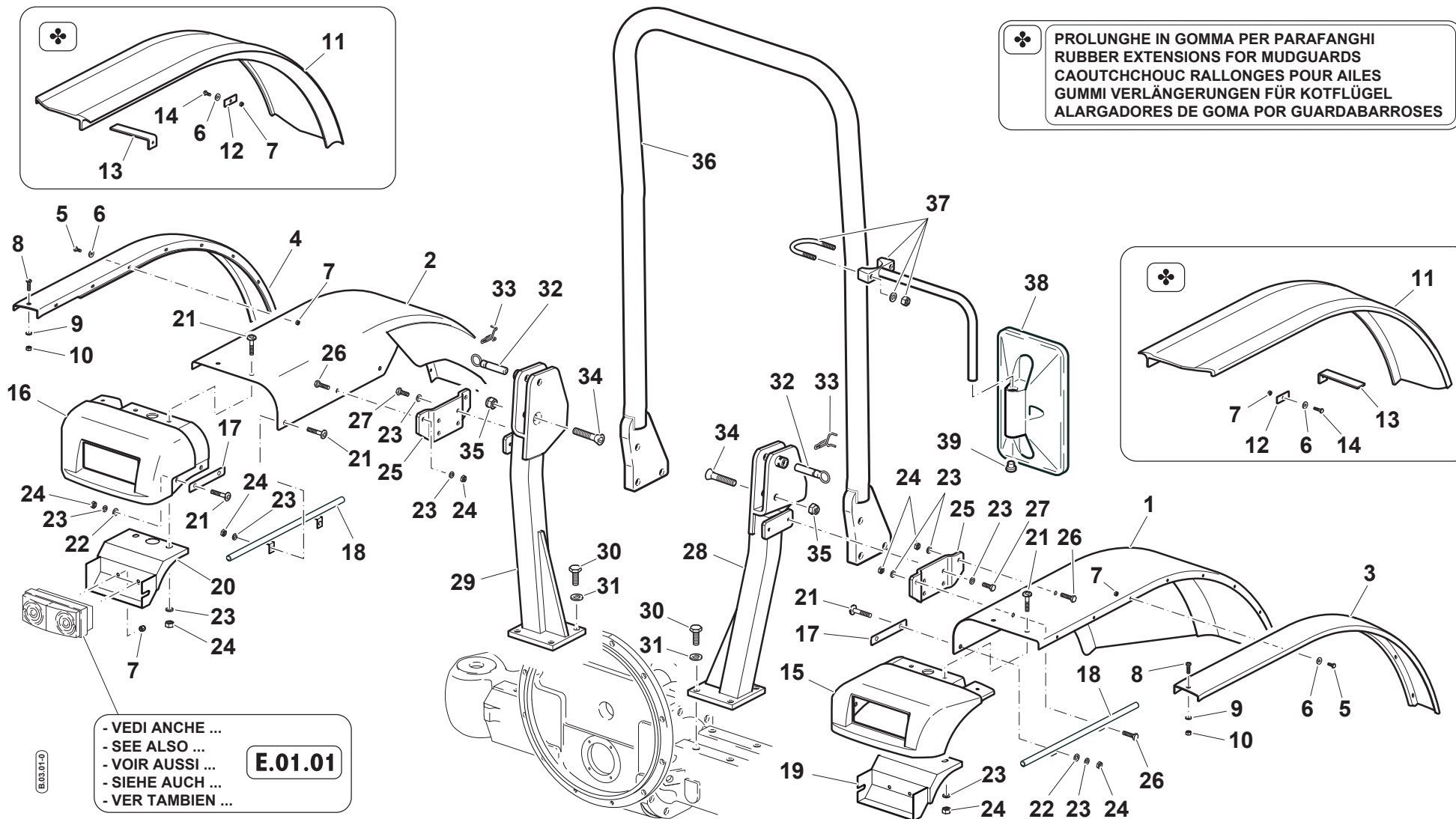
Pos.	Code	Q.ty	Description	Notes
38	30000514	1	REAR VIEW MIRROR	
14	31112060	16	SCREW M5X20 UNI 5739 8G	
27	31112146	4	SCREW TE M8X22 UNI 5739 8G	
26	31112152	4	SCREW TE M8X30 UNI 5739 8G	
30	31112272	8	SCREW TE M12X30 UNI 5739	
7	31241051	20	SELFLOCK NUT M5	
35	31241140	2	SELFLOCK NUT	
6	31411054	16	WASHER 5,3X15	
9	31411064	2	WASHER 6,4x12,5	
22	31411084	4	WASHER 8,4x17	
17	56174135	2	FIXING BRACKET	
25	56174579	2	WING HOLDER	
12	56175177	12	FIXING PLATE	
32	56175540	2	HINGE PIN	
13	56175682	4	SUPPORTING YOKE	
3	57374583	1	WING EXTENSION	
4	57374585	1	WING EXTENSION	
15	57374926	1	SUPPORT	
16	57374927	1	SUPPORT	
33	58070097	2	SPRING	
11	58075175	2	WING EXTENSION	
39	58170968	1	PLUG	
37	59070591	1	SUPPORT	
28	59071157	1	SUPPORT	
29	59071158	1	SUPPORT	
36	59071195	1	SAFETY ROLL BAR	
1	59074669	1	LEFT FRONT FENDER	
2	59074670	1	RIGHT FRONT FENDER	
18	59074729	2	CABLE BARRIER RAIL	
19	59075078	1	SUPPORT	
20	59075079	1	SUPPORT	
10	F0814547000	2	SELFLOCK NUT M6	
24	F0814573000	12	NUT M8	
23	F0843643060	16	WASHER 8	


SERIAL

FRONT MUDGUARDS

CODE REV

B.03.01.L50017_0

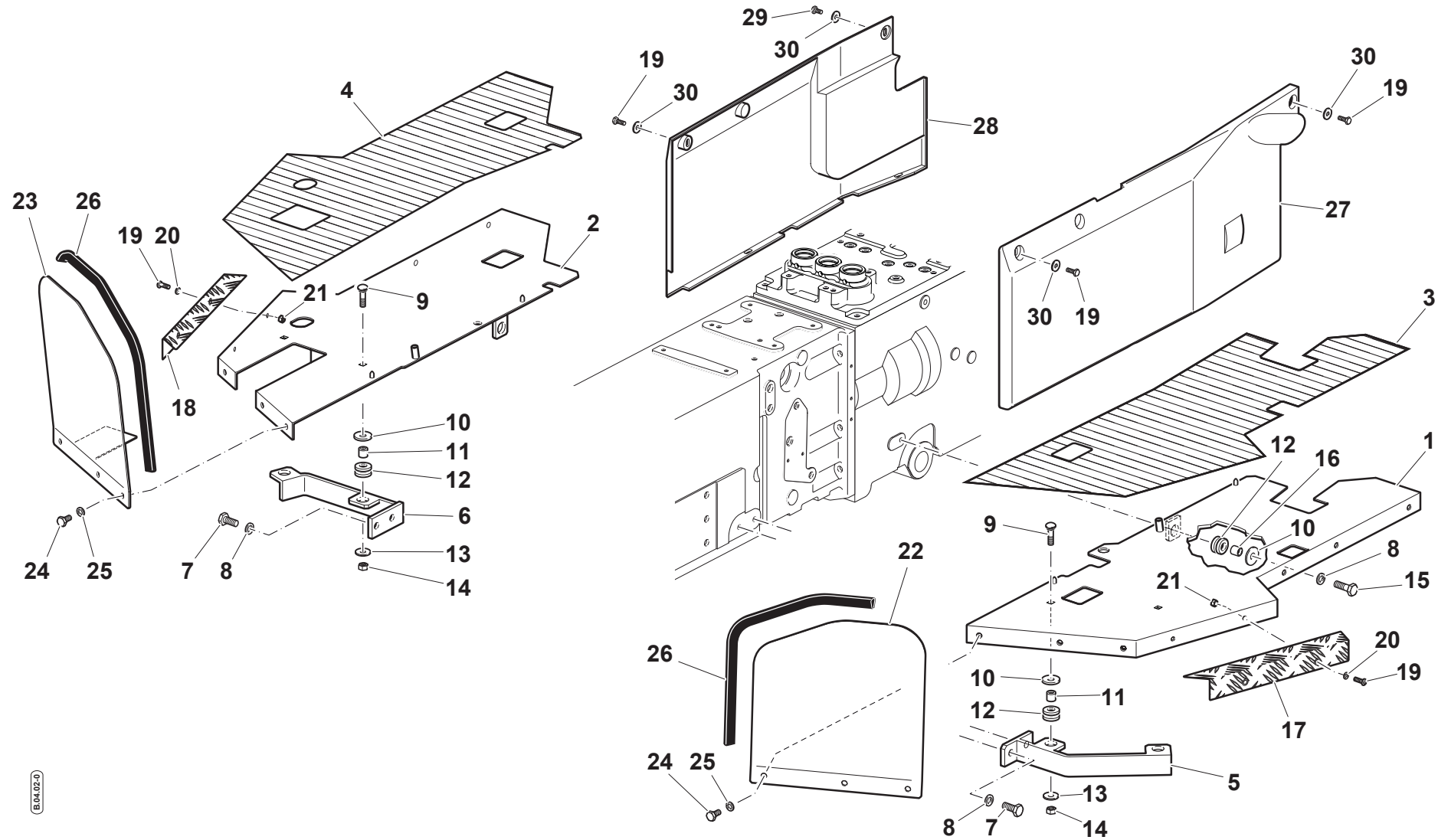



PROLUNGHE IN GOMMA PER PARAFANGHI
RUBBER EXTENSIONS FOR MUDGUARDS
CAOUTCHOUIC RALLONGES POUR AILES
GUMMI VERLÄNGERUNGEN FÜR KOTFLÜGEL
ALARGADORES DE GOMA POR GUARDABARROSES

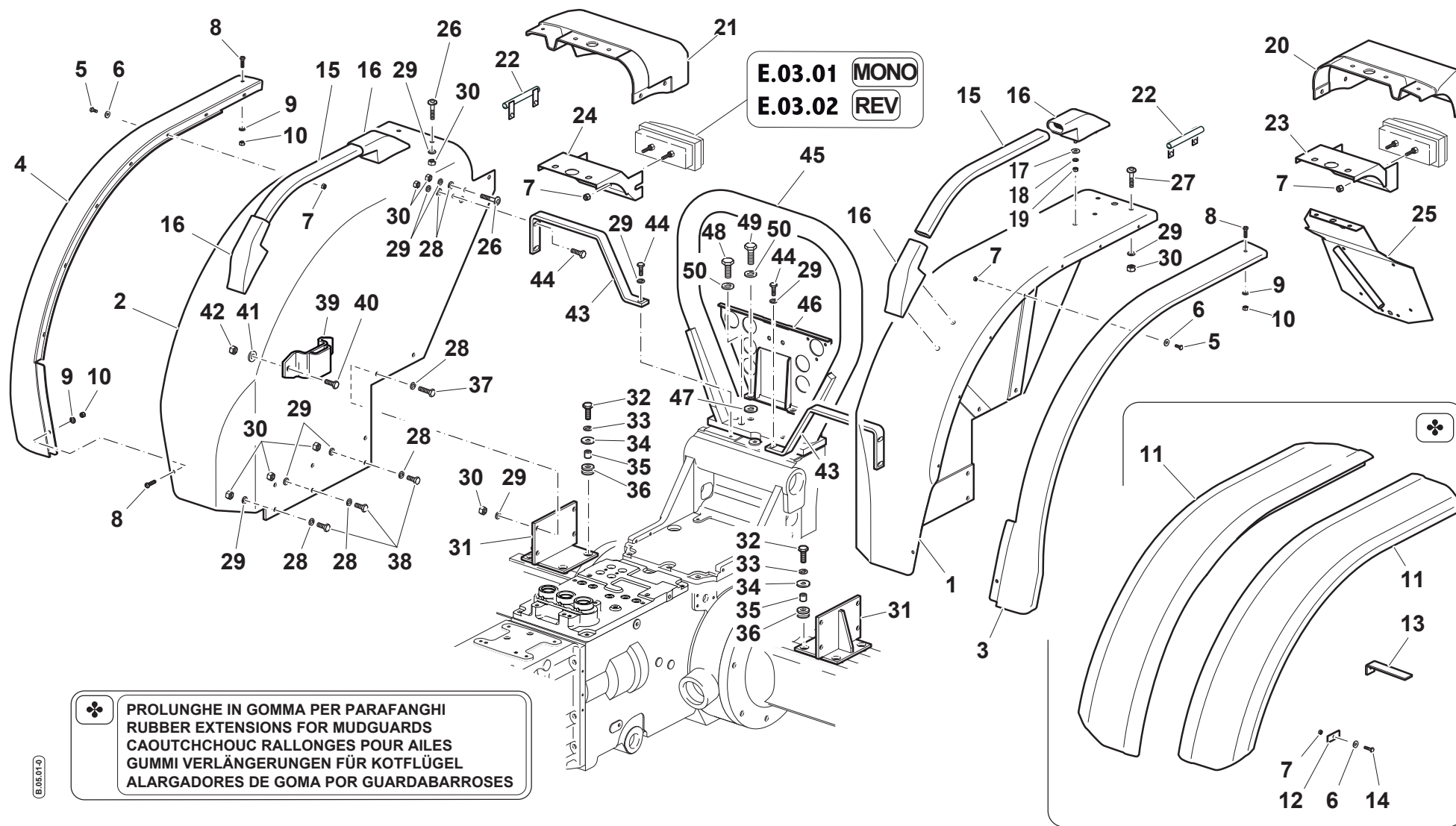
- VEDI ANCHE ...
 - SEE ALSO ...
 - VOIR AUSSI ...
 - SIEHE AUCH ...
 - VER TAMBIEN ...

E.01.01

Pos.	Code	Q.ty	Description	Notes
31	F0843843060	8	WASHER 12	
5	F0861929060	16	SCREW M5X12 UNI 5739	
21	F0862479030	8	SCREW	
8	F0862479040	2	SCREW M6X20 7380	
34	F0864309100	2	SCREW	



Pos.	Code	Q.ty	Description	Notes
24	31112149	6	SCREW TE M8X12 UNI 5739 8G	
15	31112211	2	SCREW TE M10X30 UNI 5739	
7	31112219	4	SCREW TE M10X25 UNI 5739	
9	31122804	4	SCREW	
21	31211060	4	HEXAGONAL NUT M8	
14	31211080	4	NUT M8	
30	31411066	4	WASHER 6,6x18	
13	31411090	4	WASHER 9x24	
12	55175174	6	BLOCK	
16	56171954	2	SPACER	
11	56171996	4	SPACER	
22	56174527	1	FOOTBOARD PROTECTION	
17	57275032	1	ANGULAR	
18	57275033	1	ANGULAR	
27	57374533	1	GUARD	
28	57374536	1	GUARD	
4	57374590	1	FOOTREST COVER	
3	57374591	1	FOOTREST COVER	
6	59073674	1	SUPPORT	
5	59074351	1	SUPPORT	
2	59074596	1	RIGHT FOOTBOARD	
1	59074597	1	LEFT FOOTBOARD	
23	59074782	1	FOOTBOARD PROTECTION	
26	F0256808000	1	FLAT BAND	
20	F0843570000	4	WASHER 6	
25	F0843643060	6	WASHER 8	
8	F0843755000	6	WASHER 10	
10	F0843818000	6	WASHER	
29	F0862479034	1	SCREW M6X12 7380	
19	F0862479035	3	SCREW	



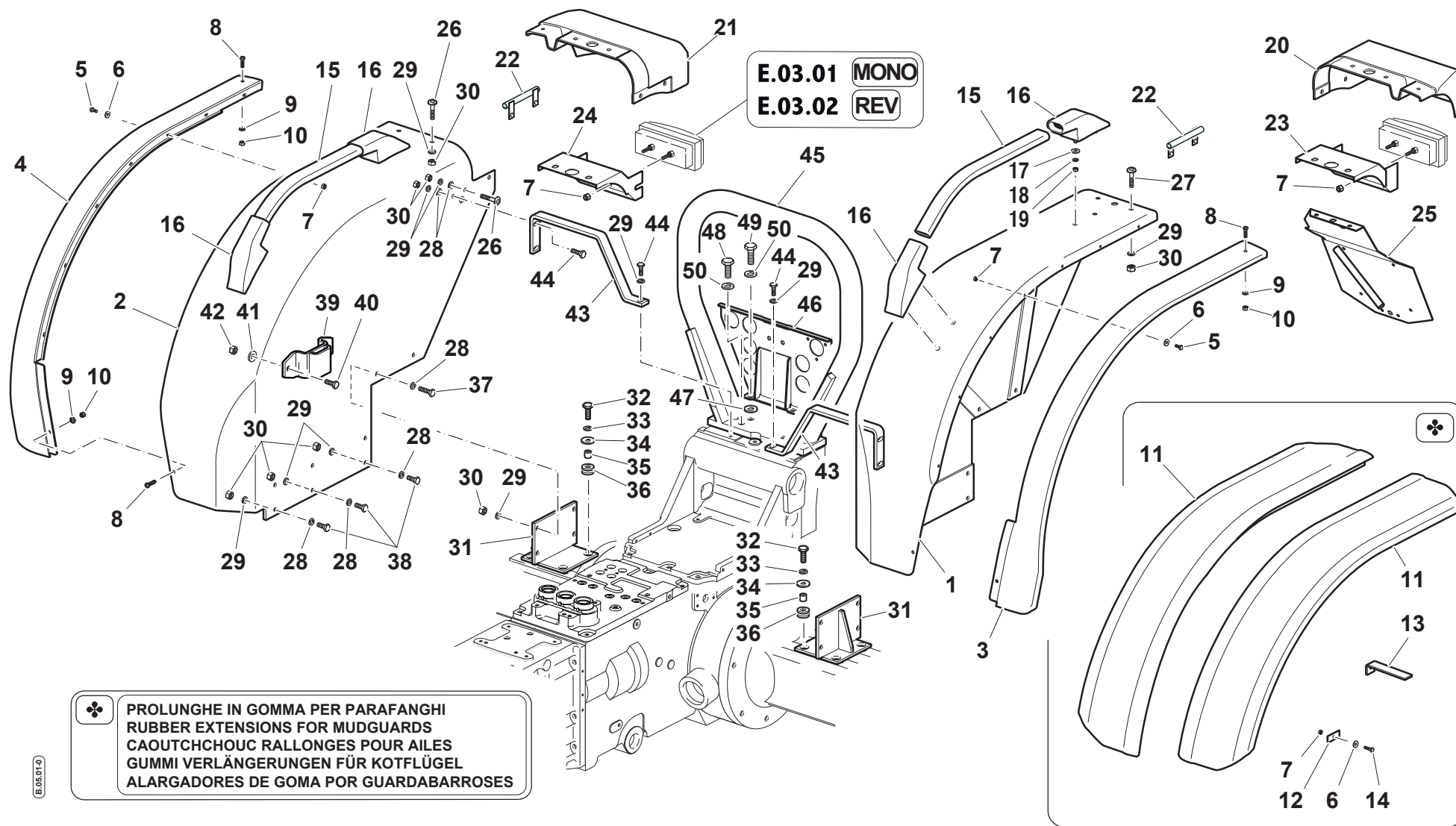
Pos.	Code	Q.ty	Description	Notes
38	31111151	6	SCREW TE M8X16 UNI 5739 8G	
14	31112060	14	SCREW M5X20 UNI 5739 8G	
44	31112146	4	SCREW TE M8X22 UNI 5739 8G	
37	31112152	4	SCREW TE M8X30 UNI 5739 8G	
40	31112208	2	SCREW TE M10X16 UNI 5739	
32	31112211	8	SCREW TE M10X30 UNI 5739	
48	31112264	2	SCREW TE M12X35 UNI 5739	
49	31112265	2	SCREW TE M12X40 UNI 5739	
19	31211060	8	HEXAGONAL NUT M8	
42	31212100	2	NUT M10	
7	31241051	18	SELFLOCK NUT M5	
6	31411054	14	WASHER 5,3X15	
9	31411064	4	WASHER 6,4x12,5	
17	31411066	8	WASHER 6,6x18	
28	31411084	16	WASHER 8,4x17	
41	31411105	2	WASHER 10,5x21	
16	55072935	4	SUPPORT	
36	55175174	8	BLOCK	
35	56171954	8	SPACER	
15	56174337	2	MUDGUARD HANDLE	
43	56174582	2	WING HOLDER	
12	56175177	10	FIXING PLATE	
13	56175682	4	SUPPORTING YOKE	
3	57374584	1	EXTENSION	
4	57374586	1	WING EXTENSION	
21	57374926	1	SUPPORT	
20	57374927	1	SUPPORT	
11	58075176	2	WING EXTENSION	
39	59070592	1	LEVER BEARING	
45	59071091	1	SAFETY ROLL BAR	
46	59071966	1	CONNECTION	
31	59074385	2	FIXING BRACKET	
22	59074391	2	CABLE BARRIER RAIL	
1	59074671	1	LEFT REAR FENDER	

SERIAL

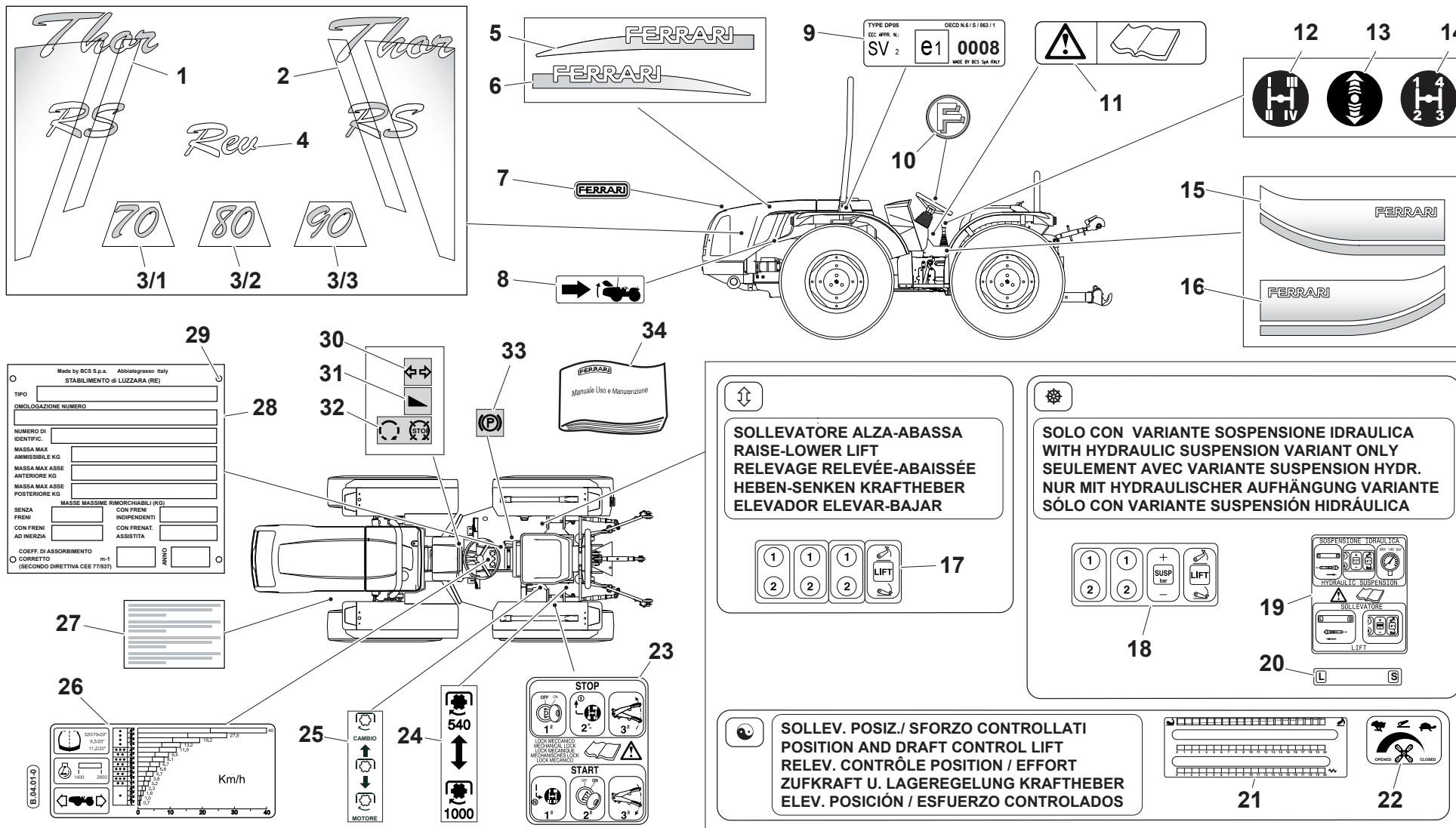
REAR MUDGUARDS

CODE REV

B.05.01.L50017_0



Pos.	Code	Q.ty	Description	Notes
2	59074672	1	RIGHT REAR FENDER	
24	59075078	1	SUPPORT	
23	59075079	1	SUPPORT	
25	59075081	1	LICENCE PLATE HOLD	
10	F0814547000	4	SELFLOCK NUT M6	
30	F0814573000	19	NUT M8	
18	F0843570000	8	WASHER 6	
29	F0843643060	22	WASHER 8	
33	F0843755000	8	WASHER 10	
34	F0843818000	8	WASHER	
50	F0843843060	4	WASHER 12	
47	F0843878000	2	SPACER D.30x12,5/6	
5	F0861929060	14	SCREW M5X12 UNI 5739	
26	F0862479030	6	SCREW	
27	F0862479032	2	SCREW M8X25 7380	
8	F0862479040	4	SCREW M6X20 7380	



B.07.01.L50017_0.ai

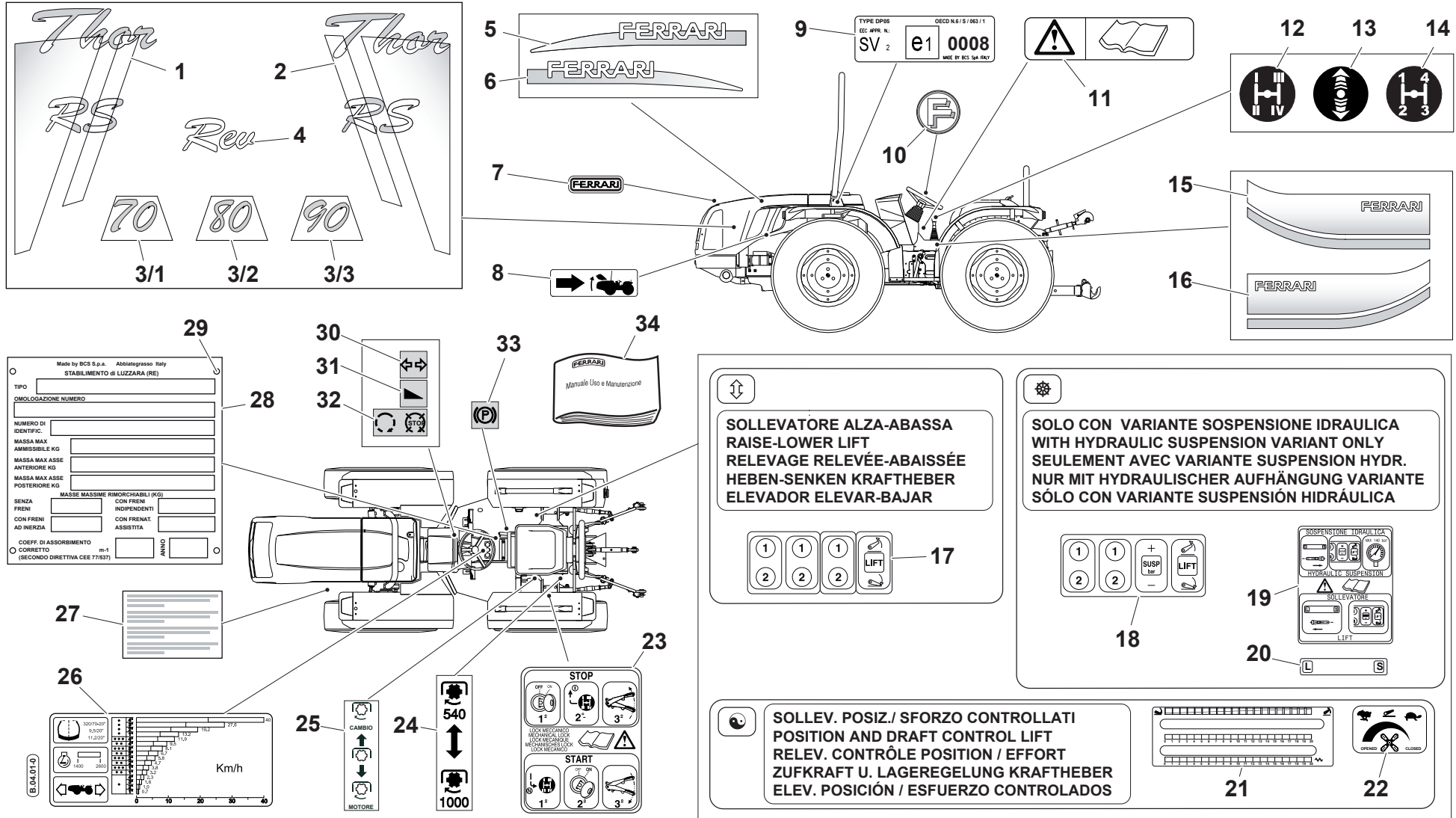
Pos.	Code	Q.ty	Description	Notes
30	58072509	1	INSTRUCTION PLATE	
33	58072510	1	INSTRUCTION PLATE	
32	58072511	1	INSTRUCTION PLATE	
31	58072517	1	INSTRUCTION PLATE	
25	58072575	1	PLATE	
28	58072737	1	PLATE	
9	58073643	1	PLATE	
13	58074220	1	DECAL	
12	58074221	1	DECAL	
14	58074222	1	DECAL	
10	58074777	1	DECAL	
5	58074786	1	DECAL	
6	58074787	1	DECAL	
3/03	58074788	2	DECAL	
3/02	58074789	2	DECAL	
3/01	58074790	2	DECAL	
4	58074791	2	DECAL	
1	58074794	1	DECAL	
2	58074795	1	DECAL	
7	58074837	1	DECAL	
15	58074839	1	DECAL	
8	58074841	1	DECAL	
16	58074846	1	DECAL	
24	58074848	1	PLATE	
11	58074880	1	PLATE	
23	58075021	1	DECAL	
17	58075022	1	PLATE	
18	58075024	1	PLATE	
21	58075152	1	DECAL	
22	58075250	1	DECAL	
19	58075521	1	DECAL	
20	58075522	1	DECAL	
26	58076937	1	PLATE	
29	F0808518050	4	RIVET 3,5x6,5	

SERIAL

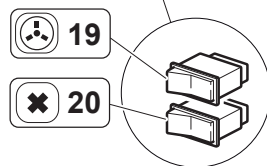
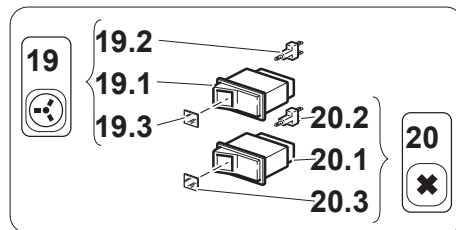
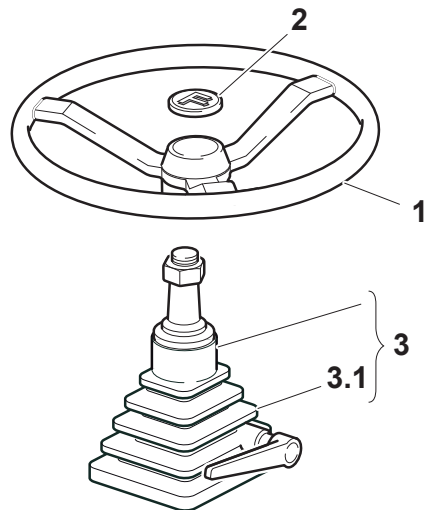
PLATES AND STICKERS


CODE REV


B.07.01.L50017_0



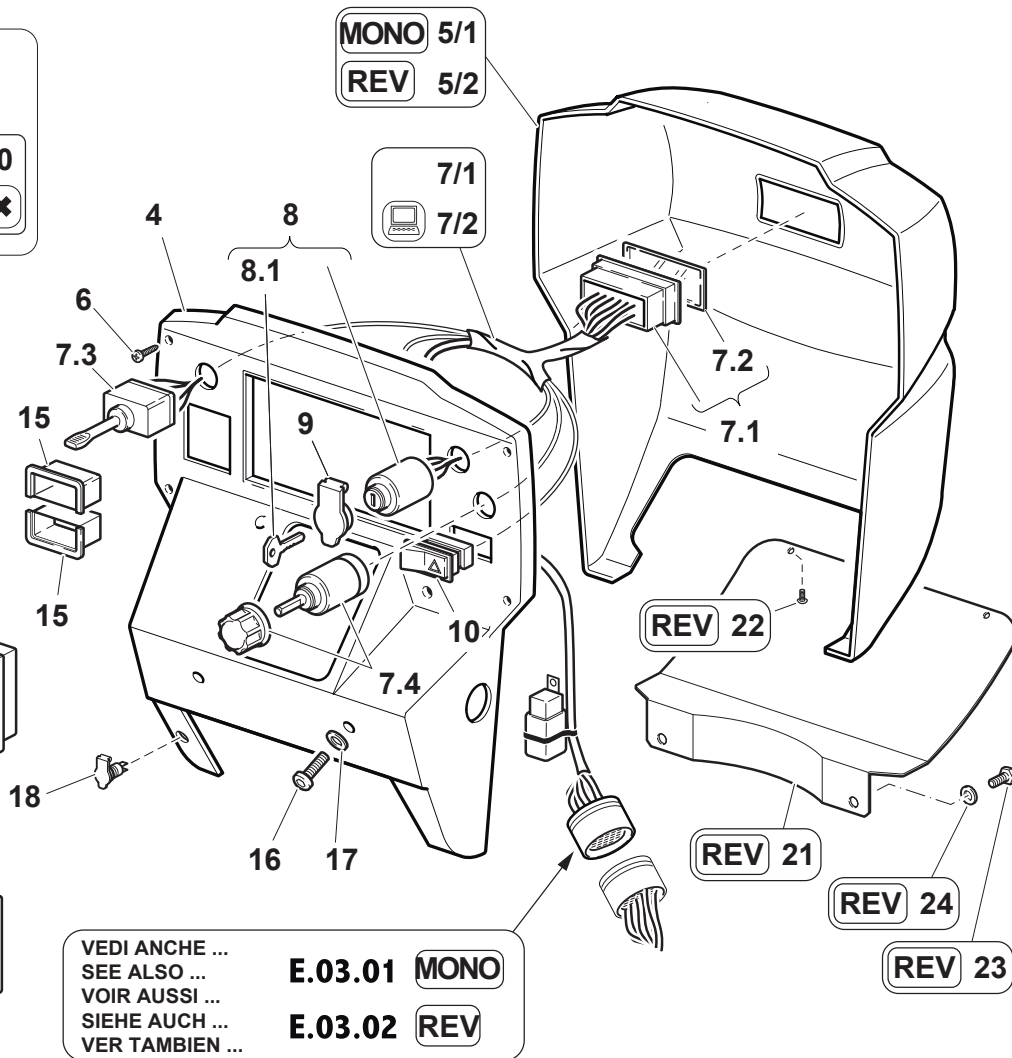
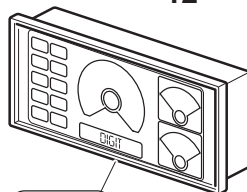
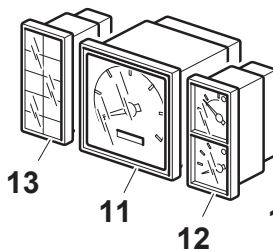
Pos.	Code	Q.ty	Description	Notes
27	F0854067050	1	PLATE	
34	F0907170120	1	LIBRETTO U/M 70-90 BLU VITH.F*	



 **PRESA DI FORZA CON FRIZIONE INDIPENDENTE**
POWER TAKE-OFF WITH INDEPENDENT CLUTCH
PRISE DE FORCE AVEC EMBRAYAGE INDEPEND.
ZAPFWELLE MIT UNABHÄNGIGER KUPPLUNG
TOMA DE FUERZA CON EMBRAGUE INDEPEND.

 **DIFFERENZIALE CON BLOCCAGGIO ELETTROIDRAUL.**
DIFFERENTIAL WITH ELECTROHYDRAULIC LOCKING
DIFFERENTIEL AVEC BLOCAGE ÉLECTROHYDR.
DIFFERENTIAL MIT ELEKTROHYDR. SPERRE
DIFERENCIAL CON BLOQUEO ELECTROHIDRÁULICO

 **QUADRO STRUMENTAZIONE DIGITALE**
DIGITAL INSTRUMENT DISPLAY
TABLEAU DE L'INSTRUMENTATION DIGITALE
DIGITALES GERÄT TAFEL
CUADRANTE DE LA INSTRUMENTACIÓN DIGITAL



VEDI ANCHE ...
SEE ALSO ...
VOIR AUSSI ...
SIEHE AUCH ...
VER TAMBIEN ...

E.03.01 MONO
E.03.02 REV

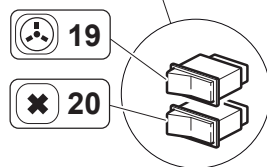
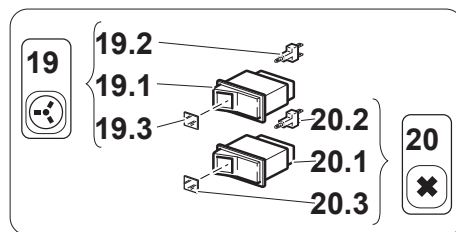
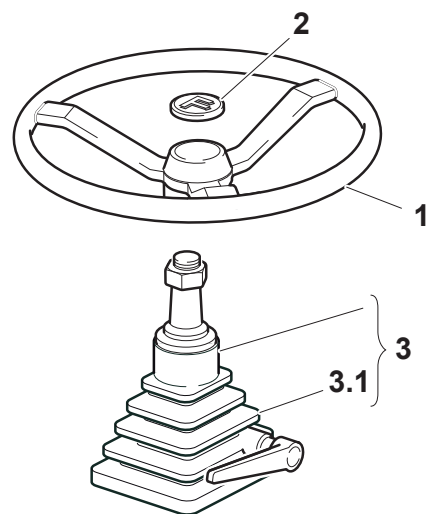
Pos.	Code	Q.ty	Description	Notes
8	30000614	1	PANEL	
23	31112149	2	SCREW TE M8X12 UNI 5739 8G	
17	31411084	4	WASHER 8,4x17	
24	31411084	2	WASHER 8,4x17	
6	31510053	6	RIBBED SCREW TC 4,8X32	
05-feb	55271644	1	INSTRUMENT PANEL	
05-gen	55271852	1	INSTRUMENT PANEL	
4	55274441	1	INSTRUMENT PANEL	
21	57374553	1	COVER	
07-gen	58074901	1	CABLE	
07-feb	58075384	1	CABLE	
12	58170236	1	INDICATOR	
19	58170344	1	CHANGE-OVER SWITCH	
20	58170345	1	CHANGE-OVER SWITCH	
15	58170376	2	TERMINAL FOR SWITCH	
7,1	58170453	1	FUSE BOX	
7,2	58172267	1	COVER	
19,1	58173116	2	CHANGE-OVER SWITCH	
20,1	58173116	2	CHANGE-OVER SWITCH	
19,2	58173119	2	PILOT LIGHT 12V	
20,2	58173119	2	PILOT LIGHT 12V	
19,3	58173120	1	GLASS	
20,3	58173121	1	GLASS	
13	58174834	1	UNIT	
11	58174842	1	TACHOMETER	
14	58174928	1	INSTRUMENT	
2	59900354	1	PLUG	
10	F0825115010	1	PUSH-BUTTON	
9	F0825400060	1	COVER	
18	F0825403050	1	SOCKET	
7,3	F0825436000	1	SWITCH	
7,4	F0825436003	1	SWITCH	
8,1	F0825500220	1	KEY	
22	F0861867001	3	SCREW M4,2X16 DIN 7981	


SERIAL


DASHBOARD

CODE REV

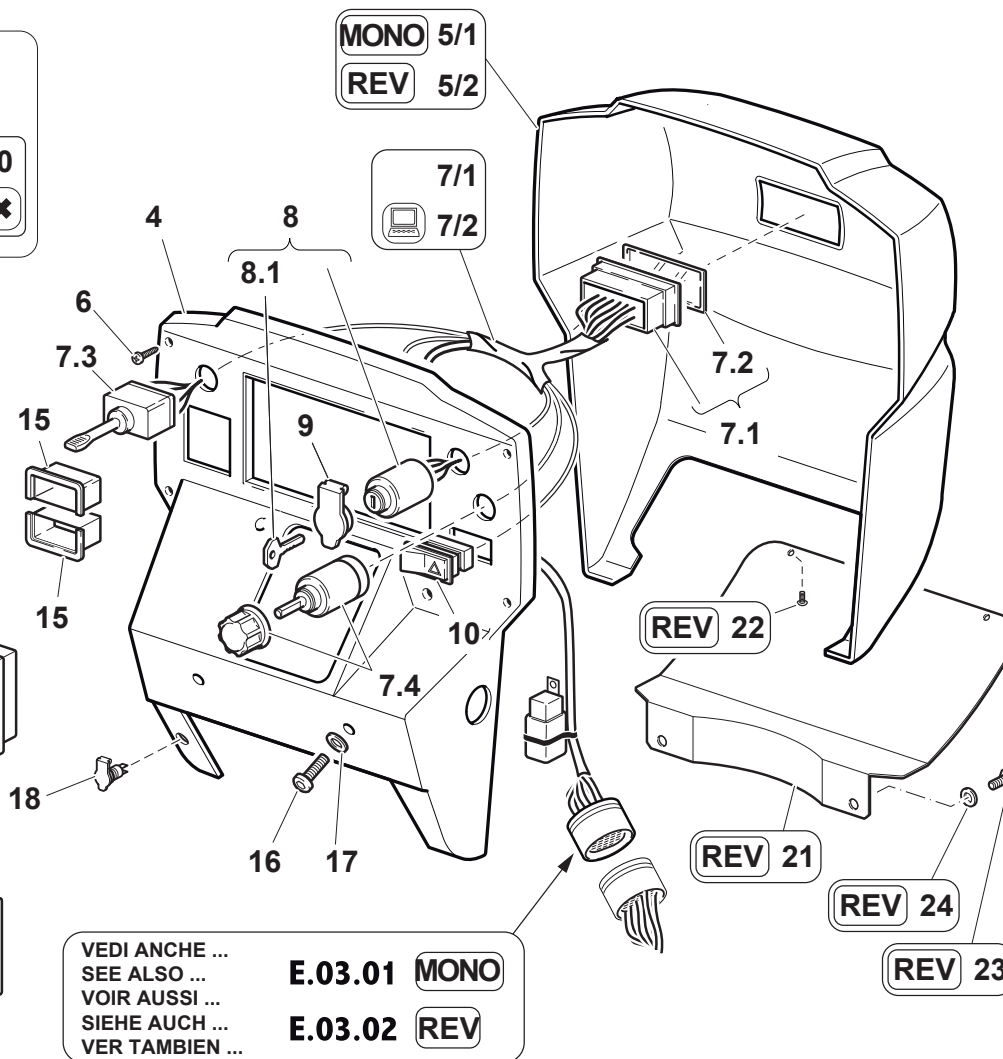
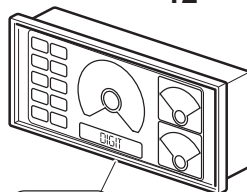
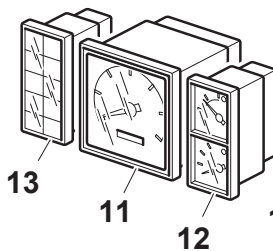
B.08.01.L50017_0



 **PRESA DI FORZA CON FRIZIONE INDIPENDENTE**
POWER TAKE-OFF WITH INDEPENDENT CLUTCH
PRISE DE FORCE AVEC EMBRAYAGE INDEPEND.
ZAPFWELLE MIT UNABHÄNGIGER KUPPLUNG
TOMA DE FUERZA CON EMBRAGUE INDEPEND.

 **DIFFERENZIALE CON BLOCCAGGIO ELETTROIDRAUL.**
DIFFERENTIAL WITH ELECTROHYDRAULIC LOCKING
DIFFERENTIEL AVEC BLOCAGE ÉLECTROHYDR.
DIFFERENTIAL MIT ELEKTROHYDR. SPERRE
DIFERENCIAL CON BLOQUEO ELECTROHIDRÁULICO

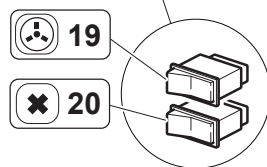
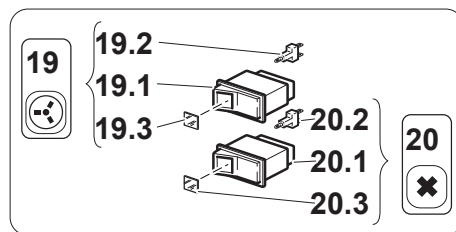
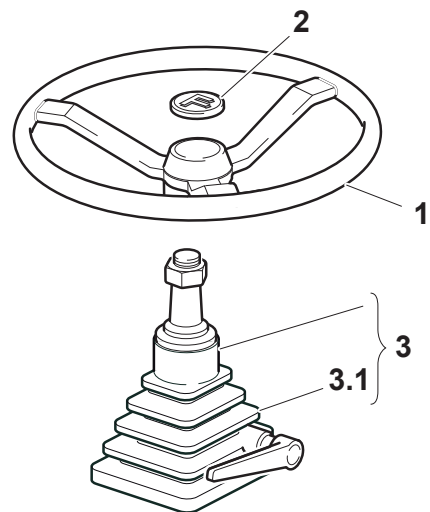
 **QUADRO STRUMENTAZIONE DIGITALE**
DIGITAL INSTRUMENT DISPLAY
TABLEAU DE L'INSTRUMENTATION DIGITALE
DIGITALES GERÄT TAFEL
CUADRANTE DE LA INSTRUMENTACIÓN DIGITAL





VEDI ANCHE ...
SEE ALSO ...
VOIR AUSSI ...
SIEHE AUCH ...
VER TAMBIEN ...

E.03.01 MONO
E.03.02 REV

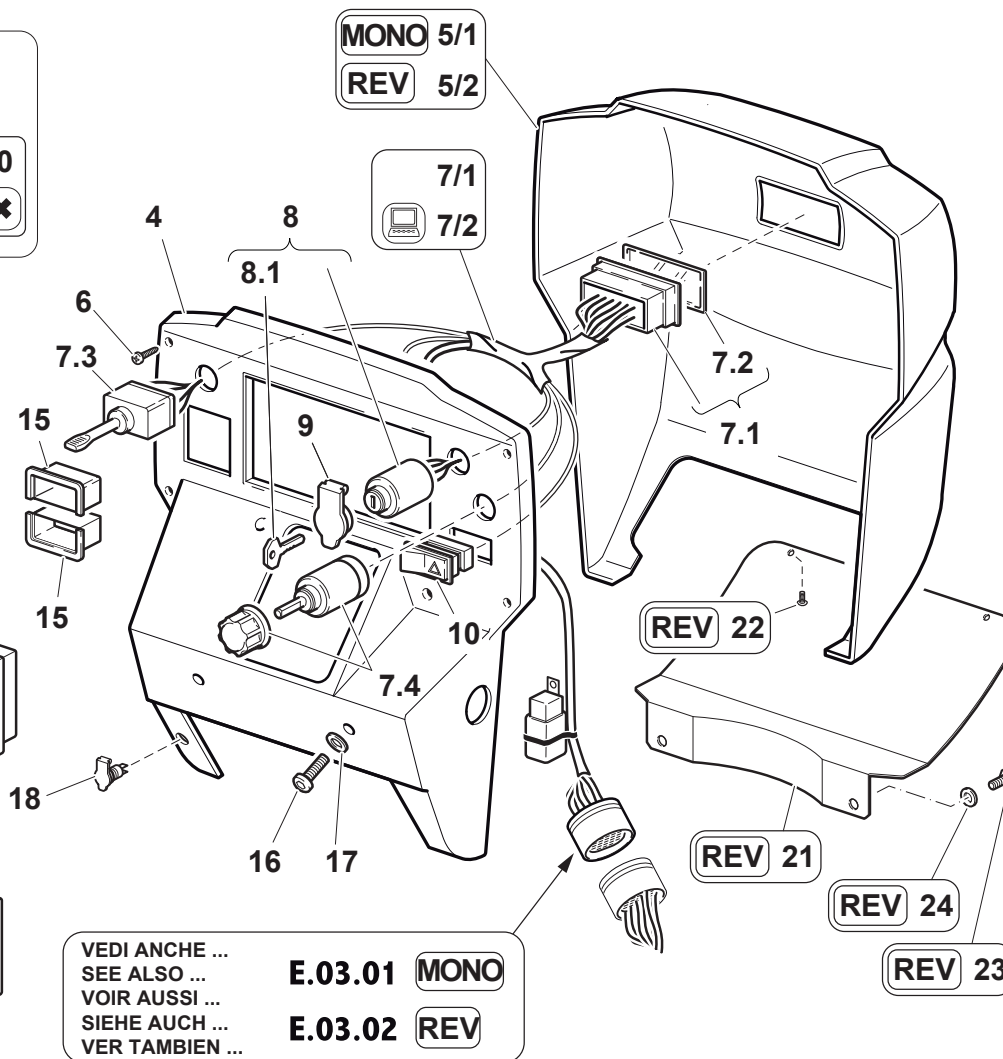
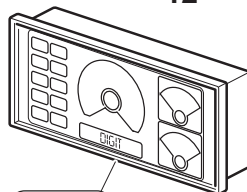
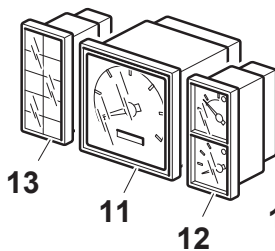
Pos.	Code	Q.ty	Description	Notes
16	F0862479020	4	SCREW M8X16 7380	
1	F0865040000	1	STEERING WHEEL	
3	F0865474000	1	UNIT	
3,1	F0865474005	1	BELLOWS	



 **PRESA DI FORZA CON FRIZIONE INDIPENDENTE**
POWER TAKE-OFF WITH INDEPENDENT CLUTCH
PRISE DE FORCE AVEC EMBRAYAGE INDEPEND.
ZAPFWELLE MIT UNABHÄNGIGER KUPPLUNG
TOMA DE FUERZA CON EMBRAGUE INDEPEND.

 **DIFFERENZIALE CON BLOCCAGGIO ELETTROIDRAUL.**
DIFFERENTIAL WITH ELECTROHYDRAULIC LOCKING
DIFFERENTIEL AVEC BLOCAGE ÉLECTROHYDR.
DIFFERENTIAL MIT ELEKTROHYDR. SPERRE
DIFERENCIAL CON BLOQUEO ELECTROHIDRÁULICO

 **QUADRO STRUMENTAZIONE DIGITALE**
DIGITAL INSTRUMENT DISPLAY
TABLEAU DE L'INSTRUMENTATION DIGITALE
DIGITALES GERÄT TAFEL
CUADRANTE DE LA INSTRUMENTACIÓN DIGITAL



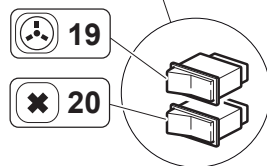
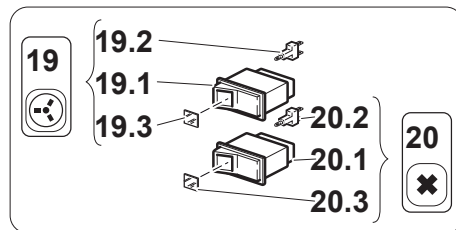
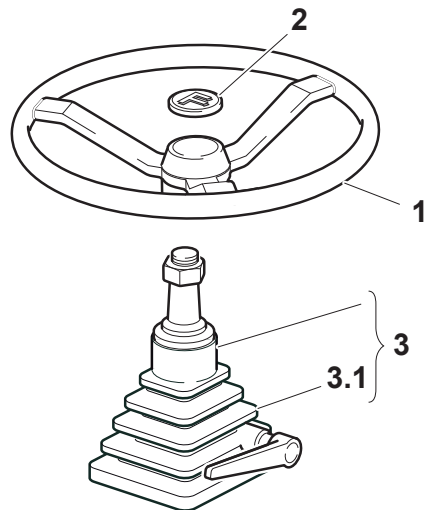
Pos.	Code	Q.ty	Description	Notes
8	30000614	1	PANEL	
23	31112149	2	SCREW TE M8X12 UNI 5739 8G	
17	31411084	4	WASHER 8,4x17	
24	31411084	2	WASHER 8,4x17	
6	31510053	6	RIBBED SCREW TC 4,8X32	
05-feb	55271644	1	INSTRUMENT PANEL	
05-gen	55271852	1	INSTRUMENT PANEL	
4	55274441	1	INSTRUMENT PANEL	
21	57374553	1	COVER	
07-feb	58075384	1	CABLE	
07-gen	58075776	1	CABLE	
19	58170344	1	CHANGE-OVER SWITCH	
20	58170345	1	CHANGE-OVER SWITCH	
15	58170376	2	TERMINAL FOR SWITCH	
19,1	58173116	2	CHANGE-OVER SWITCH	
20,1	58173116	2	CHANGE-OVER SWITCH	
19,2	58173119	2	PILOT LIGHT 12V	
20,2	58173119	2	PILOT LIGHT 12V	
19,3	58173120	1	GLASS	
20,3	58173121	1	GLASS	
14	58174928	1	INSTRUMENT	
12	58175769	1	DIGITAL INSTRUMENT	
13	58175770	1	WARNING LIGHT HOLDER	
11	58175772	1	DIGITAL INSTRUMENT	
2	59900354	1	PLUG	
10	F0825115010	1	PUSH-BUTTON	
9	F0825400060	1	COVER	
18	F0825403050	1	SOCKET	
7,3	F0825436000	1	SWITCH	
7,4	F0825436003	1	SWITCH	
8,1	F0825500220	1	KEY	
22	F0861867001	3	SCREW M4,2X16 DIN 7981	
16	F0862479020	4	SCREW M8X16 7380	
1	F0865040000	1	STEERING WHEEL	


SERIAL


DASHBOARD

CODE REV

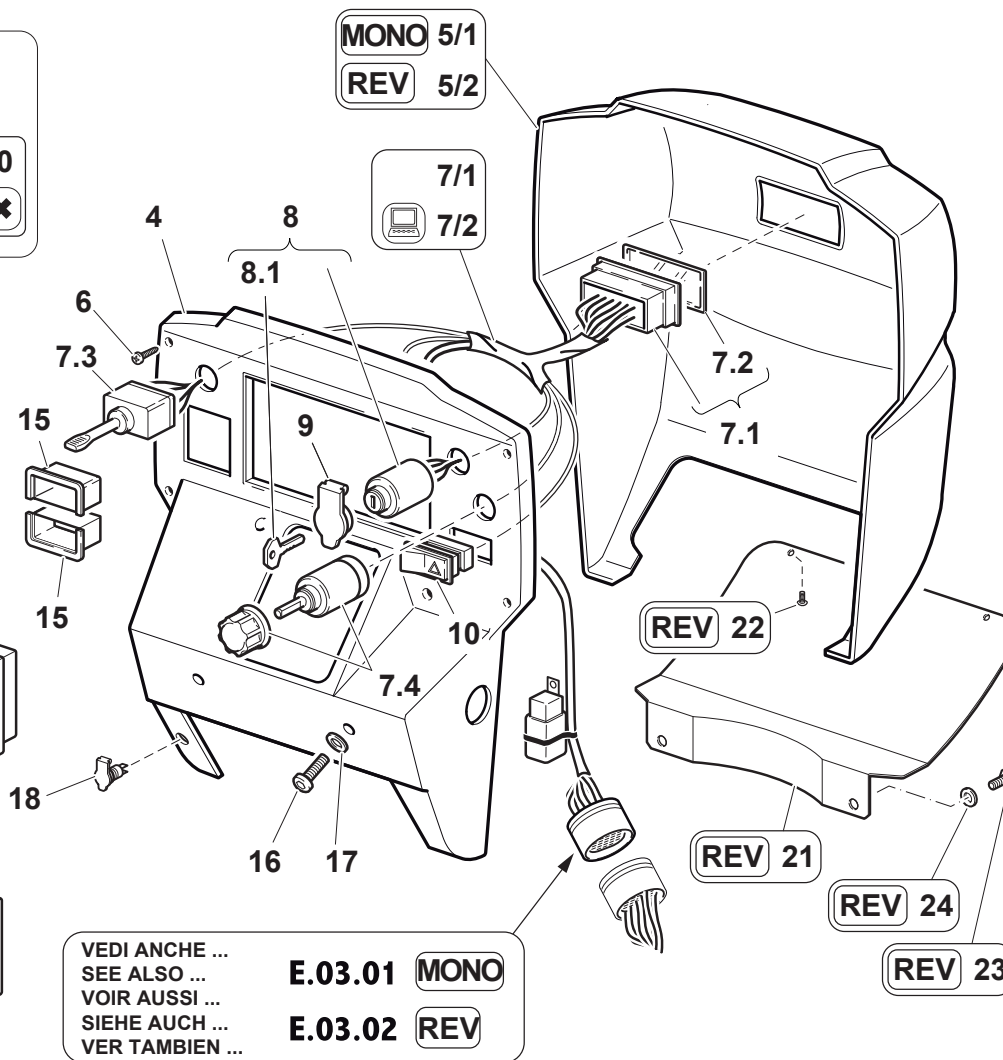
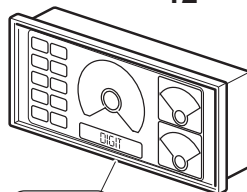
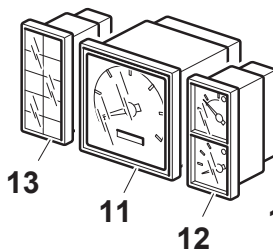
B.08.01.L50017_1



 **PRESA DI FORZA CON FRIZIONE INDIPENDENTE**
POWER TAKE-OFF WITH INDEPENDENT CLUTCH
PRISE DE FORCE AVEC EMBRAYAGE INDEPEND.
ZAPFWELLE MIT UNABHÄNGIGER KUPPLUNG
TOMA DE FUERZA CON EMBRAGUE INDEPEND.

 **DIFFERENZIALE CON BLOCCAGGIO ELETTROIDRAUL.**
DIFFERENTIAL WITH ELECTROHYDRAULIC LOCKING
DIFFERENTIEL AVEC BLOCAGE ÉLECTROHYDR.
DIFFERENTIAL MIT ELEKTROHYDR. SPERRE
DIFERENCIAL CON BLOQUEO ELECTROHIDRÁULICO

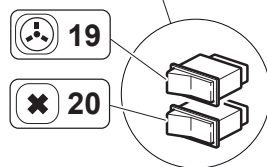
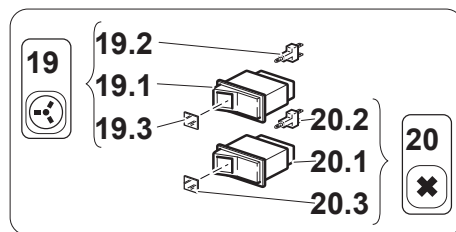
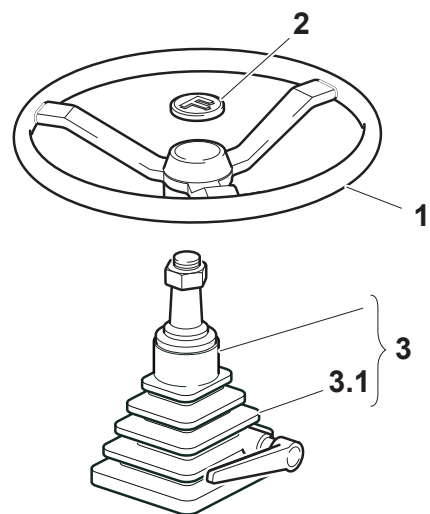
 **QUADRO STRUMENTAZIONE DIGITALE**
DIGITAL INSTRUMENT DISPLAY
TABLEAU DE L'INSTRUMENTATION DIGITALE
DIGITALES GERÄT TAFEL
CUADRANTE DE LA INSTRUMENTACIÓN DIGITAL





VEDI ANCHE ...
SEE ALSO ...
VOIR AUSSI ...
SIEHE AUCH ...
VER TAMBIEN ...

E.03.01 MONO
E.03.02 REV

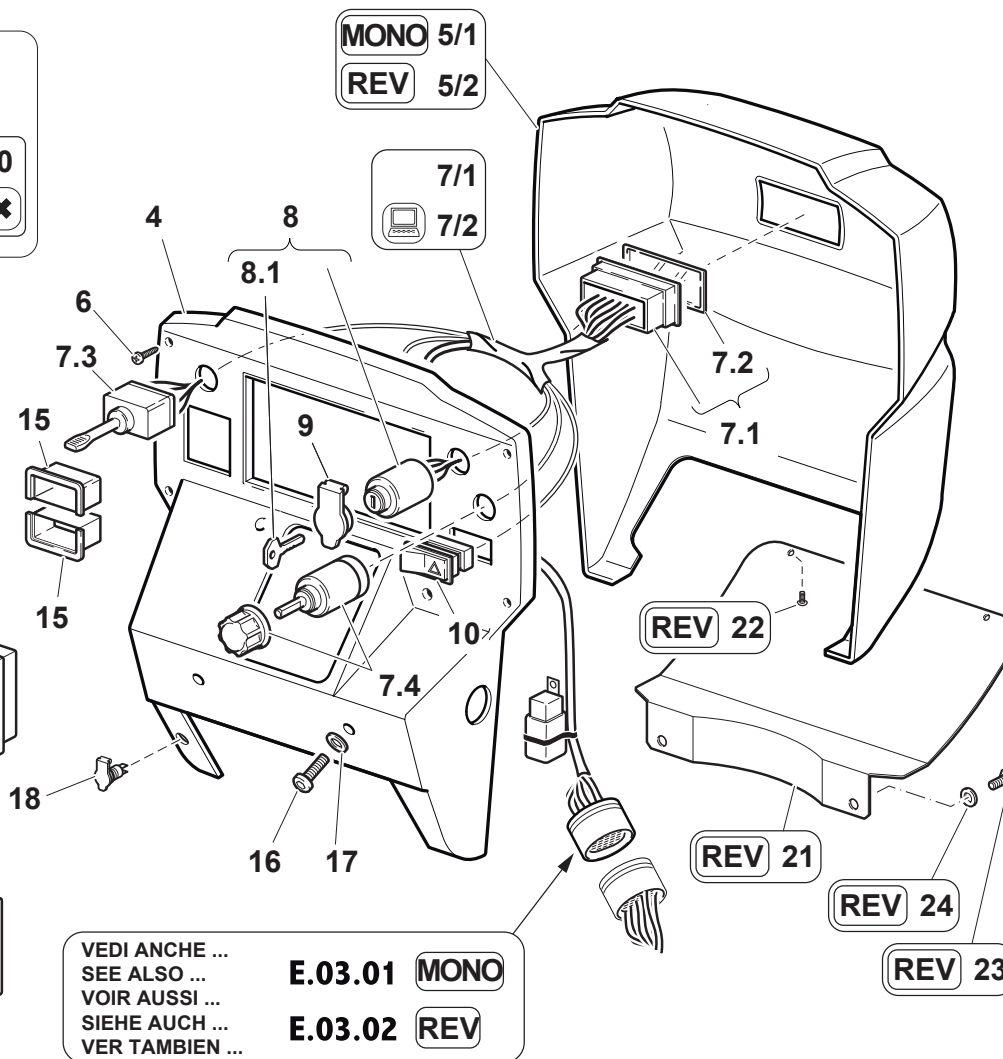
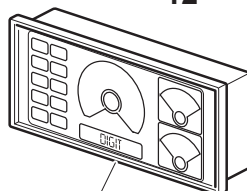
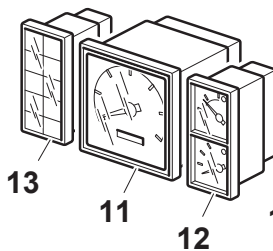
Pos.	Code	Q.ty	Description	Notes
3	F0865474000	1	UNIT	
3,1	F0865474005	1	BELLOWS	



 **PRESA DI FORZA CON FRIZIONE INDIPENDENTE**
POWER TAKE-OFF WITH INDEPENDENT CLUTCH
PRISE DE FORCE AVEC EMBRAYAGE INDEPEND.
ZAPFWELLE MIT UNABHÄNGIGER KUPPLUNG
TOMA DE FUERZA CON EMBRAGUE INDEPEND.

 **DIFFERENZIALE CON BLOCCAGGIO ELETTROIDRAUL.**
DIFFERENTIAL WITH ELECTROHYDRAULIC LOCKING
DIFFERENTIEL AVEC BLOCAGE ÉLECTROHYDR.
DIFFERENTIAL MIT ELEKTROHYDR. SPERRE
DIFERENCIAL CON BLOQUEO ELECTROHIDRÁULICO

 **QUADRO STRUMENTAZIONE DIGITALE**
DIGITAL INSTRUMENT DISPLAY
TABLEAU DE L'INSTRUMENTATION DIGITALE
DIGITALES GERÄT TAFEL
CUADRANTE DE LA INSTRUMENTACIÓN DIGITAL



VEDI ANCHE ...
SEE ALSO ...
VOIR AUSSI ...
SIEHE AUCH ...
VER TAMBIEN ...

E.03.01 MONO
E.03.02 REV

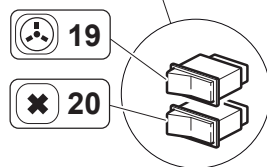
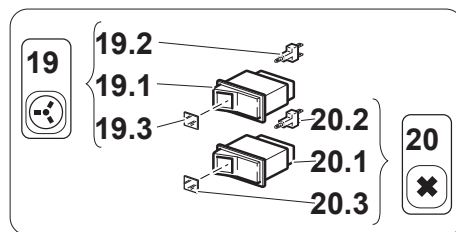
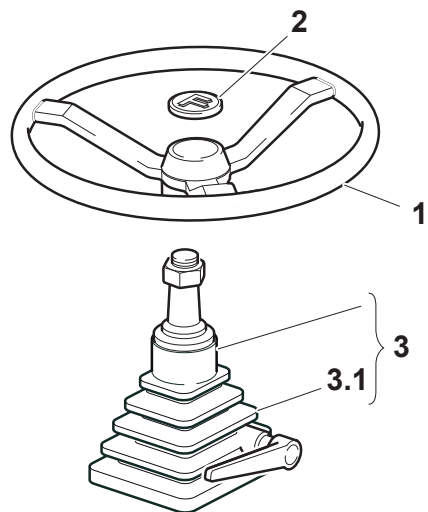
Pos.	Code	Q.ty	Description	Notes
8	30000614	1	PANEL	
23	31112149	2	SCREW TE M8X12 UNI 5739 8G	
17	31411084	4	WASHER 8,4x17	
6	31510053	6	RIBBED SCREW TC 4,8X32	
5,2	55271644	1	INSTRUMENT PANEL	
5,1	55271852	1	INSTRUMENT PANEL	
4	55274441	1	INSTRUMENT PANEL	
21	57374553	1	COVER	
07-feb	58075384	1	CABLE	
07-gen	58075776	1	CABLE	
19	58170344	1	CHANGE-OVER SWITCH	
20	58170345	1	CHANGE-OVER SWITCH	
15	58170376	2	TERMINAL FOR SWITCH	
19,1	58173116	2	CHANGE-OVER SWITCH	
20,1	58173116	2	CHANGE-OVER SWITCH	
19,2	58173119	2	PILOT LIGHT 12V	
20,2	58173119	2	PILOT LIGHT 12V	
19,3	58173120	1	GLASS	
20,3	58173121	1	GLASS	
14	58174928	1	INSTRUMENT	
12	58175769	1	DIGITAL INSTRUMENT	
13	58175770	1	WARNING LIGHT HOLDER	
11	58175772	1	DIGITAL INSTRUMENT	
2	59900354	1	PLUG	
10	F0825115010	1	PUSH-BUTTON	
9	F0825400060	1	COVER	
18	F0825403050	1	SOCKET	
7,3	F0825436000	1	SWITCH	
7,4	F0825436003	1	SWITCH	
8,1	F0825500220	1	KEY	
22	F0861867001	3	SCREW M4,2X16 DIN 7981	
16	F0862479020	4	SCREW M8X16 7380	
1	F0865040000	1	STEERING WHEEL	
3	F0865474000	1	UNIT	


SERIAL


DASHBOARD

CODE REV

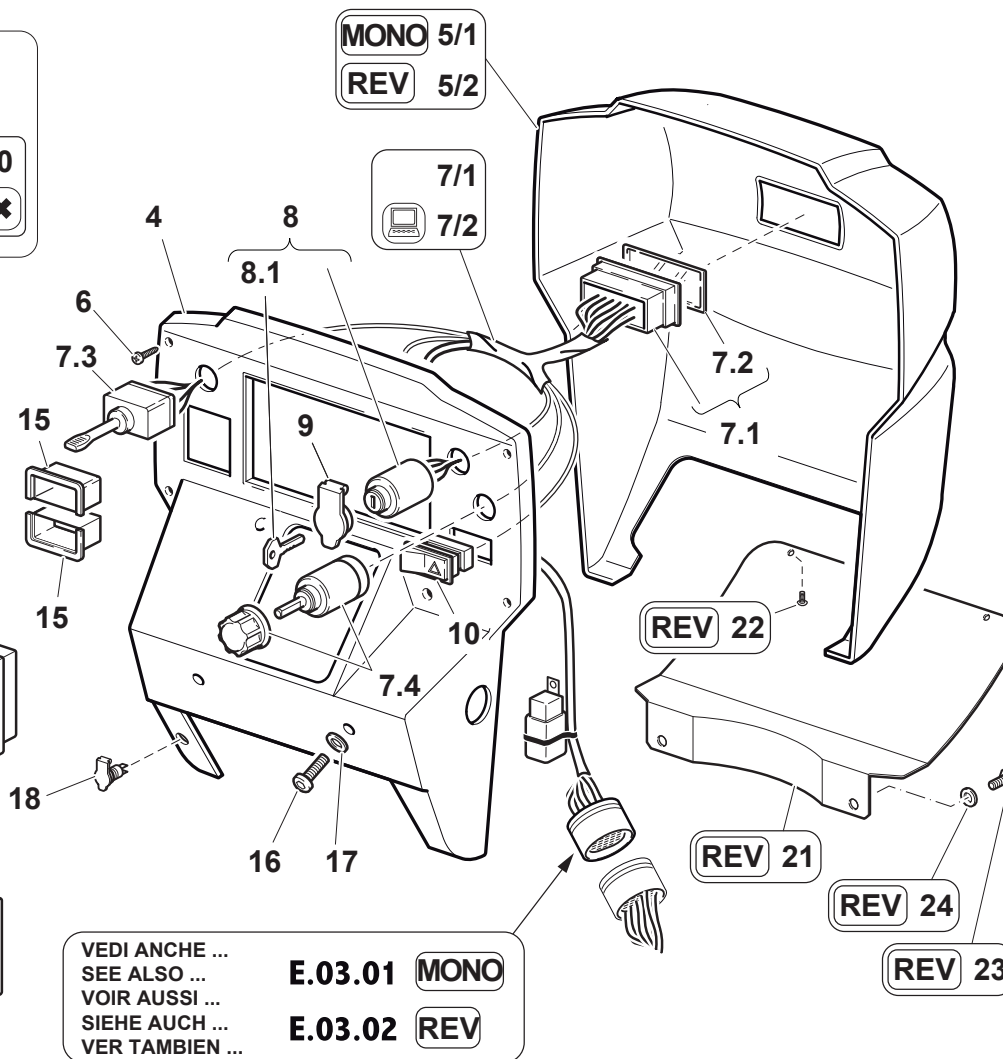
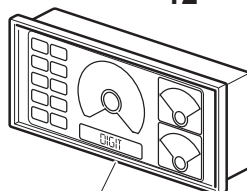
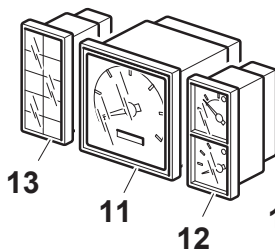
B.08.01.L50017_2



 **PRESA DI FORZA CON FRIZIONE INDIPENDENTE**
POWER TAKE-OFF WITH INDEPENDENT CLUTCH
PRISE DE FORCE AVEC EMBRAYAGE INDEPEND.
ZAPFWELLE MIT UNABHÄNGIGER KUPPLUNG
TOMA DE FUERZA CON EMBRAGUE INDEPEND.

 **DIFFERENZIALE CON BLOCCAGGIO ELETTROIDRAUL.**
DIFFERENTIAL WITH ELECTROHYDRAULIC LOCKING
DIFFERENTIEL AVEC BLOCAGE ÉLECTROHYDR.
DIFFERENTIAL MIT ELEKTROHYDR. SPERRE
DIFERENCIAL CON BLOQUEO ELECTROHIDRÁULICO

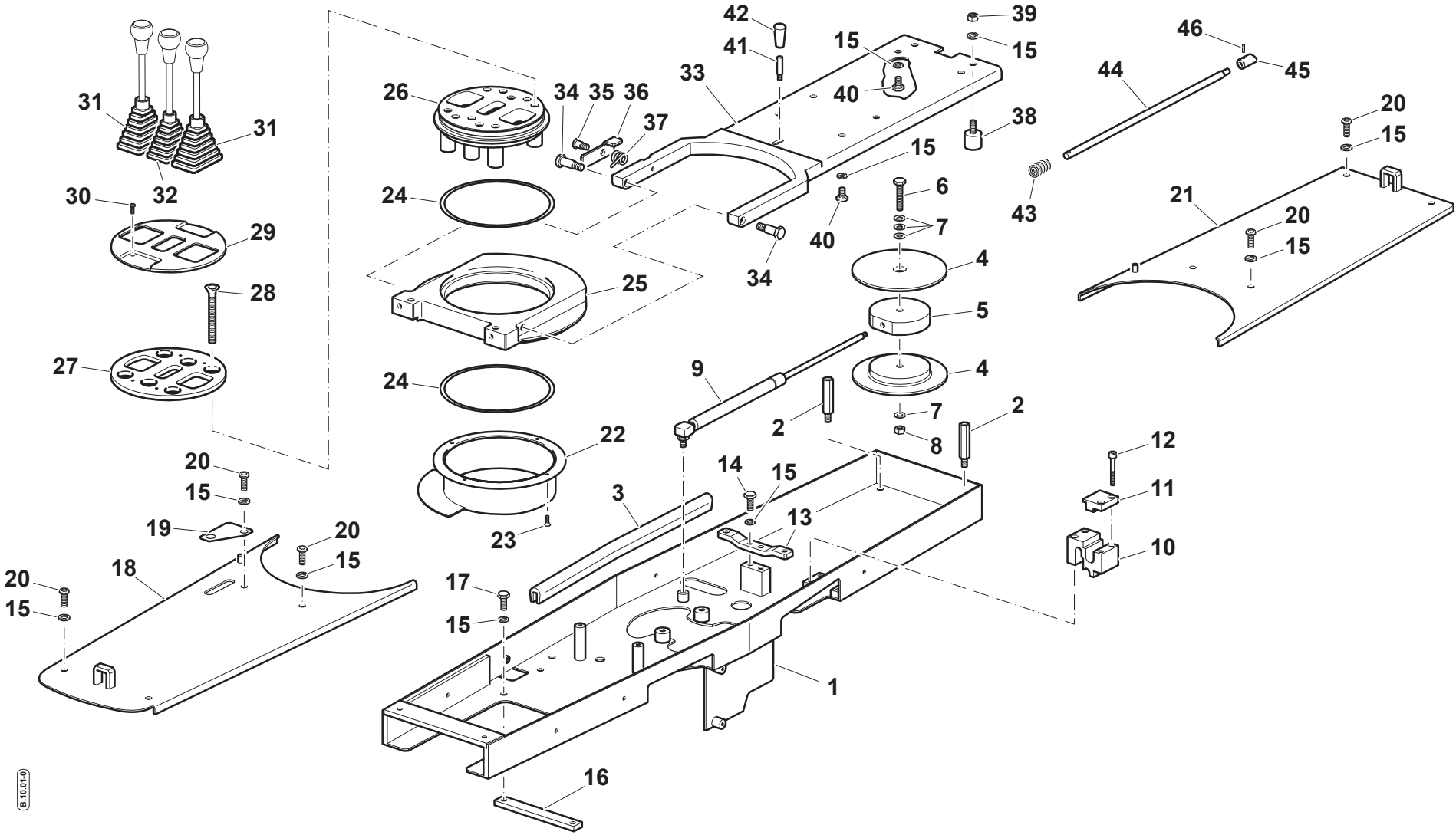
 **QUADRO STRUMENTAZIONE DIGITALE**
DIGITAL INSTRUMENT DISPLAY
TABLEAU DE L'INSTRUMENTATION DIGITALE
DIGITALES GERÄT TAFEL
CUADRANTE DE LA INSTRUMENTACIÓN DIGITAL



VEDI ANCHE ...
SEE ALSO ...
VOIR AUSSI ...
SIEHE AUCH ...
VER TAMBIEN ...

E.03.01 MONO
E.03.02 REV

Pos.	Code	Q.ty	Description	Notes
3,1	F0865474005	1	BELLOWS	



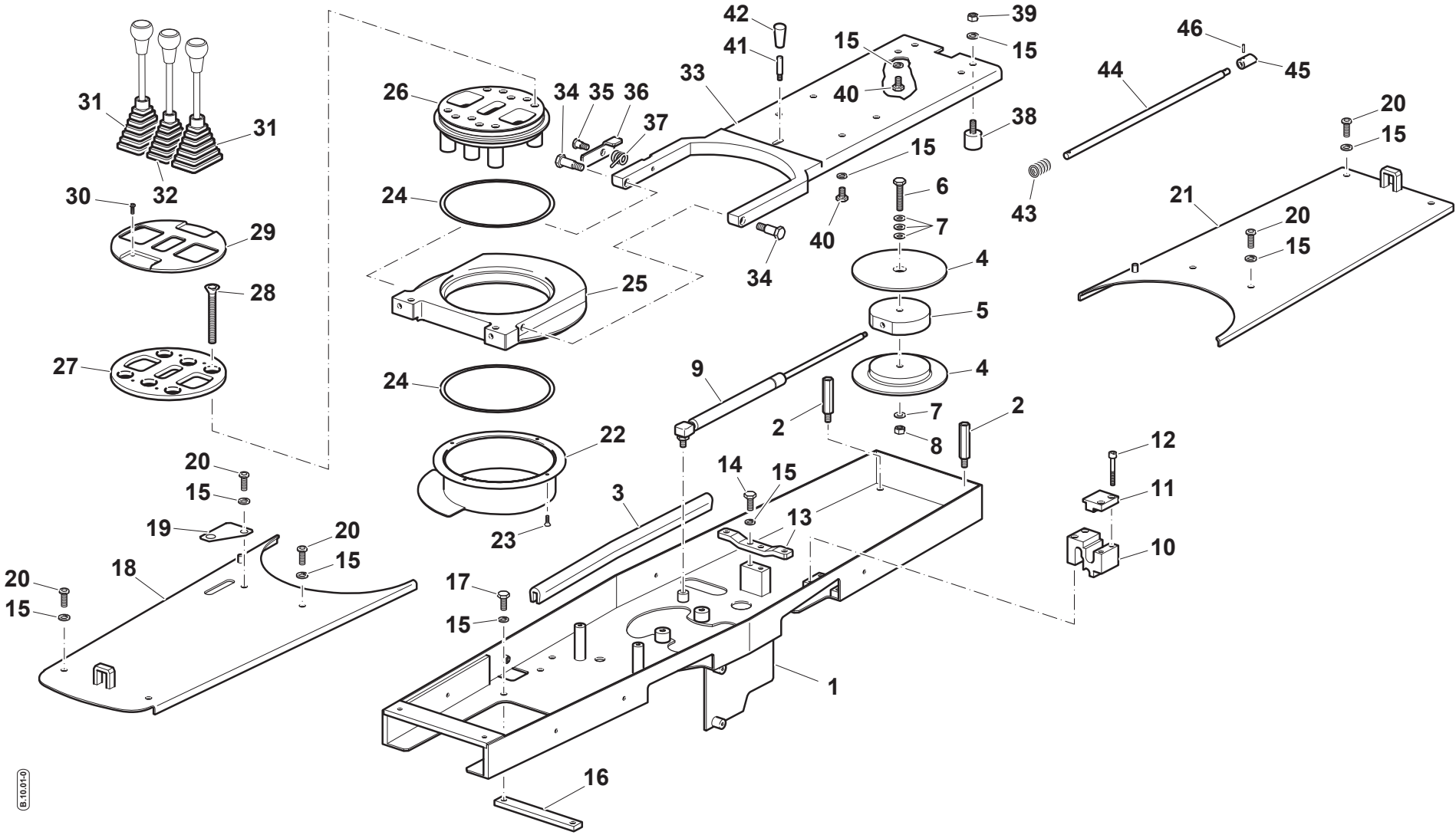
Pos.	Code	Q.ty	Description	Notes
40	31111151	4	SCREW TE M8X16 UNI 5739 8G	
14	31112146	2	SCREW TE M8X22 UNI 5739 8G	
17	31112151	2	SCREW TE M8X25 UNI 5739 8G	
23	31132440	4	SCREW TSVEI M4X10 UNI 5933	
12	31152066	4	SCREW TCEI M6X45 UNI 5931	
7	31411084	4	WASHER 8,4x17	
46	34213018	1	ROLL PIN	
25	51175212	1	TURRET	
26	51274388	1	SUPPORT	
27	51274498	1	FLANGE	
32	55174162	1	BELLOWS	
31	55174163	2	BELLOWS	
41	56174461	1	PIN	
36	56174462	1	RETAINING PLATE	
44	56174463	1	ROD	
10	56174464	1	SMALL BLOCK	
13	56174486	1	RETAINER	
2	56174492	2	PIN	
19	56174499	1	COVER	
16	56174730	1	PLATE	
11	56174773	1	COVER	
34	56274487	2	SPECIAL SCREW	
45	56374460	1	LOCKING BOLT	
35	56375436	1	HINGE PIN	
4	57374490	2	PULLEY	
5	57374491	1	PULLEY	
29	57374501	1	COVER	
24	57374545	2	GASKET	
3	57374686	1	GASKET	
43	58070390	1	SEAT SPRINGS	
37	58074488	1	SPRING	
9	58174555	1	SPRING	
38	58174644	2	SILENT-BLOCK	
22	59074403	1	FLANGE	

SERIAL

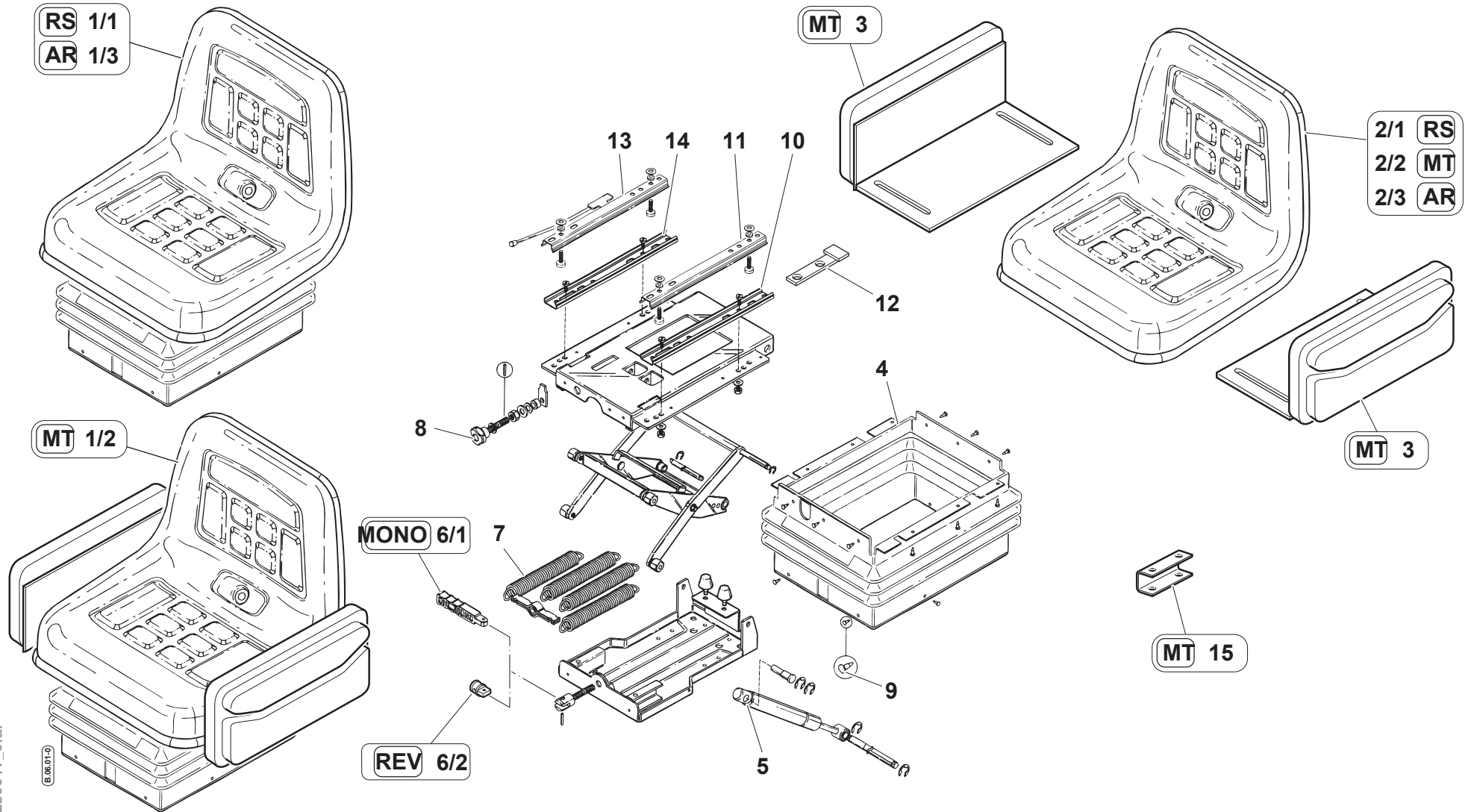
SEAT SUPPORT / GEAR LEVERS COVER

CODE REV

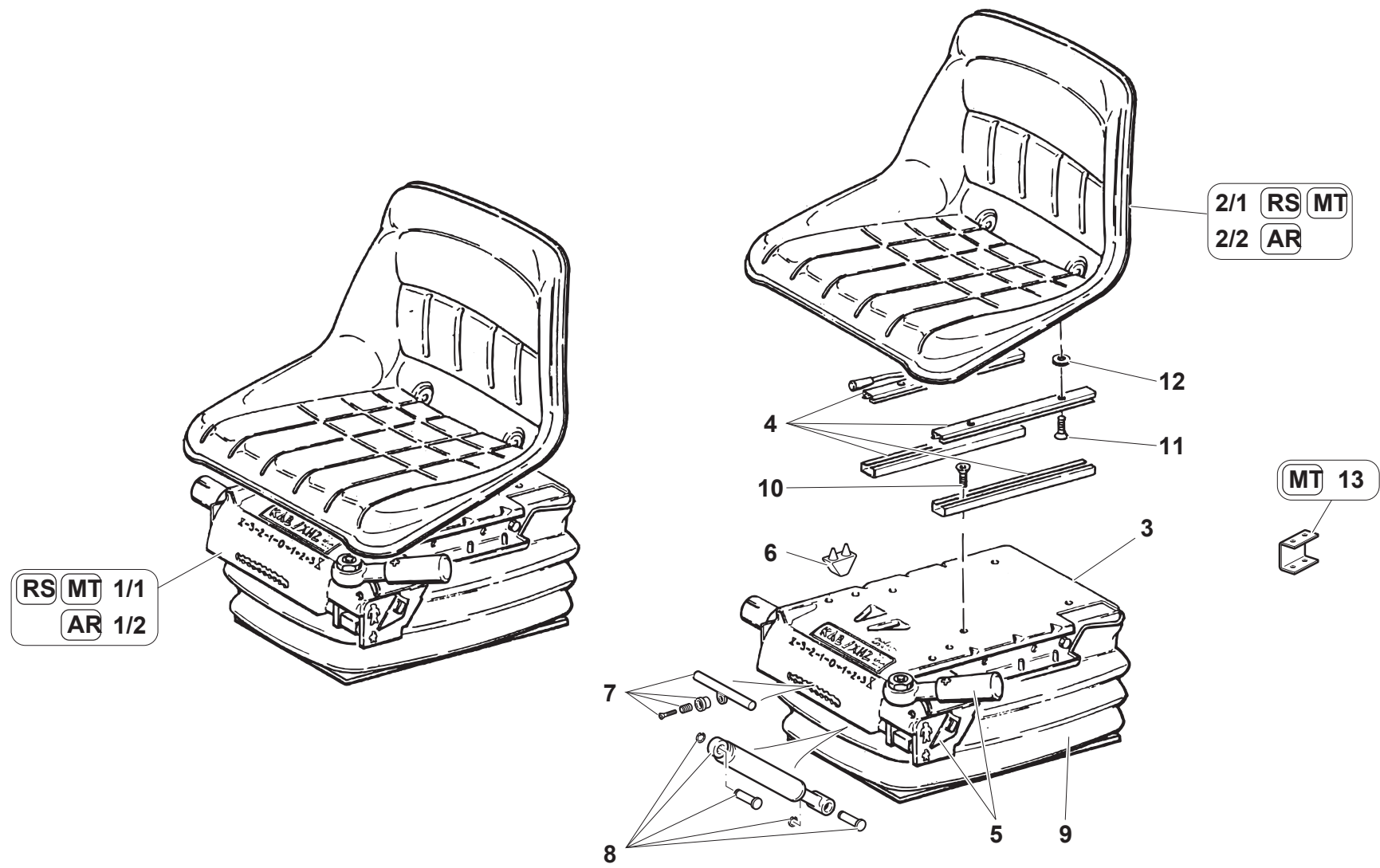
B.10.01.L50020_0



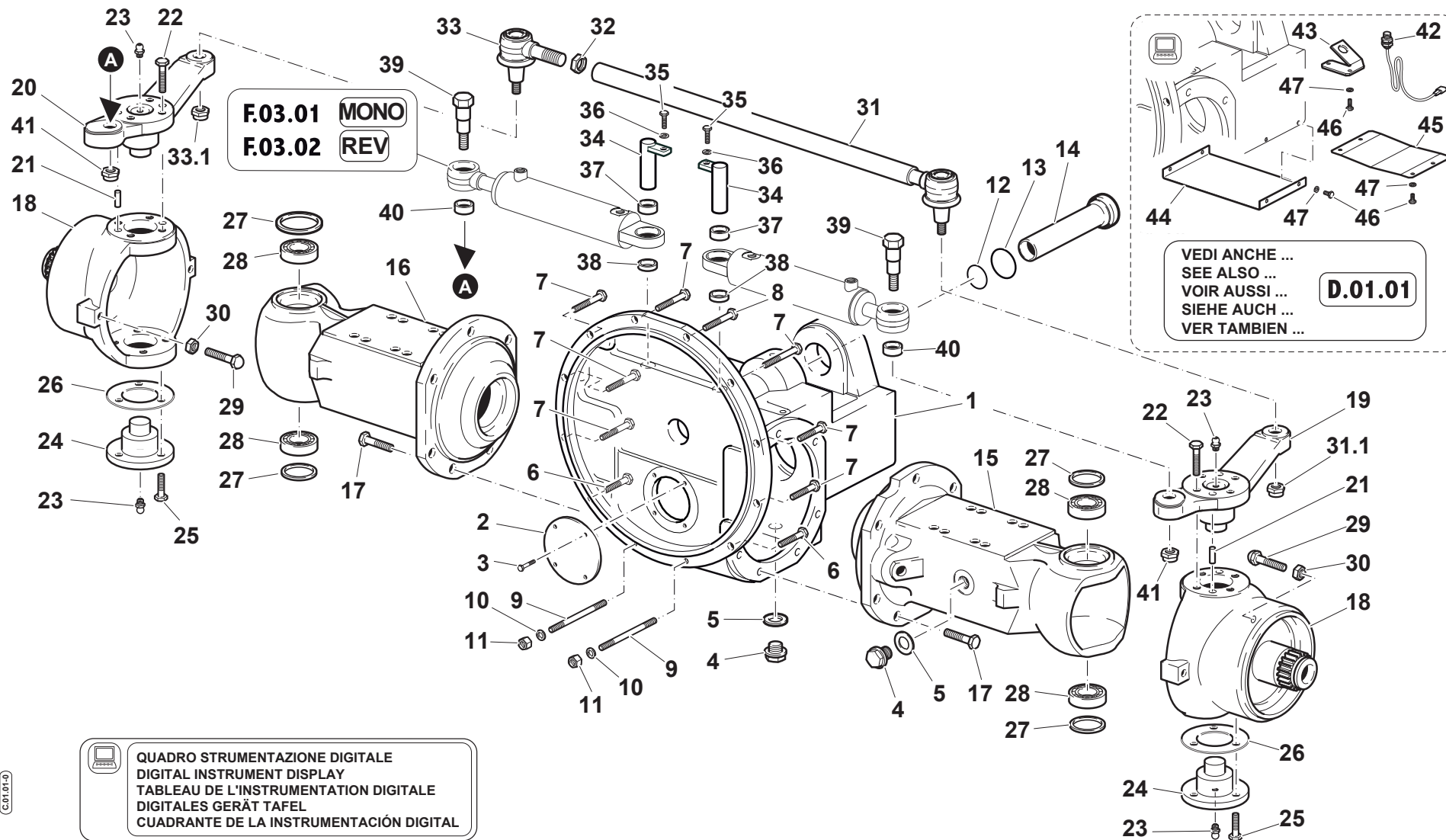
Pos.	Code	Q.ty	Description	Notes
1	59074468	1	BOX	
21	59074477	1	COVER	
33	59074525	1	SEAT SUPPORT	
18	59074531	1	FRONT COVER	
39	F0814574000	2	NUT	
8	F0814585000	1	SELFLOCK NUT	
42	F0837521000	1	GRIP	
15	F0843643060	16	WASHER 8	
30	F0861928050	4	SCREW M5X12 ISO 7380	
20	F0862479020	8	SCREW M8X16 7380	
6	F0862875000	1	SCREW M8X1,25/45 UNI5739	
28	F0863586000	6	SCREW M10X80 DIN 7991	



Pos.	Code	Q.ty	Description	Notes
06-feb	56172172	1	SMALL BLOCK	
15	56175206	1	BRACKET	
01-feb	58170959	1	SEAT	
01-mar	58170995	1	SEAT	
3	58171239	1	SIDE PANEL	
12	59071241	1	STOP PLATE	
02-gen	59900151	1	SEAT CAVITY	
14	59900152	1	LOWER GUIDE	
8	59900153	1	KNOB	
7	59900154	4	SPRING	
06-gen	59900155	1	LEVER	
5	59900156	1	SHOCKS ABSORBER	
10	59900157	1	LOWER GUIDE	
9	59900158	18	SCREW	
4	59900159	1	BELLOWS	
11	59900160	1	GUIDE	
13	59900161	1	GUIDE	
02-mar	59900162	1	SEAT CAVITY	
02-feb	59900182	1	SEAT CAVITY	
01-gen	F0190032529	1	SEAT	



Pos.	Code	Q.ty	Description	Notes
10	31111151	4	SCREW TE M8X16 UNI 5739 8G	
13	56171223	1	BRACKET	
4	58173437	1	SEAT GUIDE	
5	59900183	1	CONTROL	
6	59900184	1	LIMITER	
7	59900185	1	CONTROL	
8	59900186	1	SHOCKS ABSORBER	
9	59900187	1	BELLOWS	
01-feb	59900199	1	SEAT	
01-gen	59900200	1	SEAT	
02-gen	F0150036215	1	SEAT CAVITY	
02-feb	F0150036216	1	SEAT CAVITY	
3	F0150036219	1	SPRING	
12	F0843696000	4	WASHER	
11	F0862495010	4	SCREW	



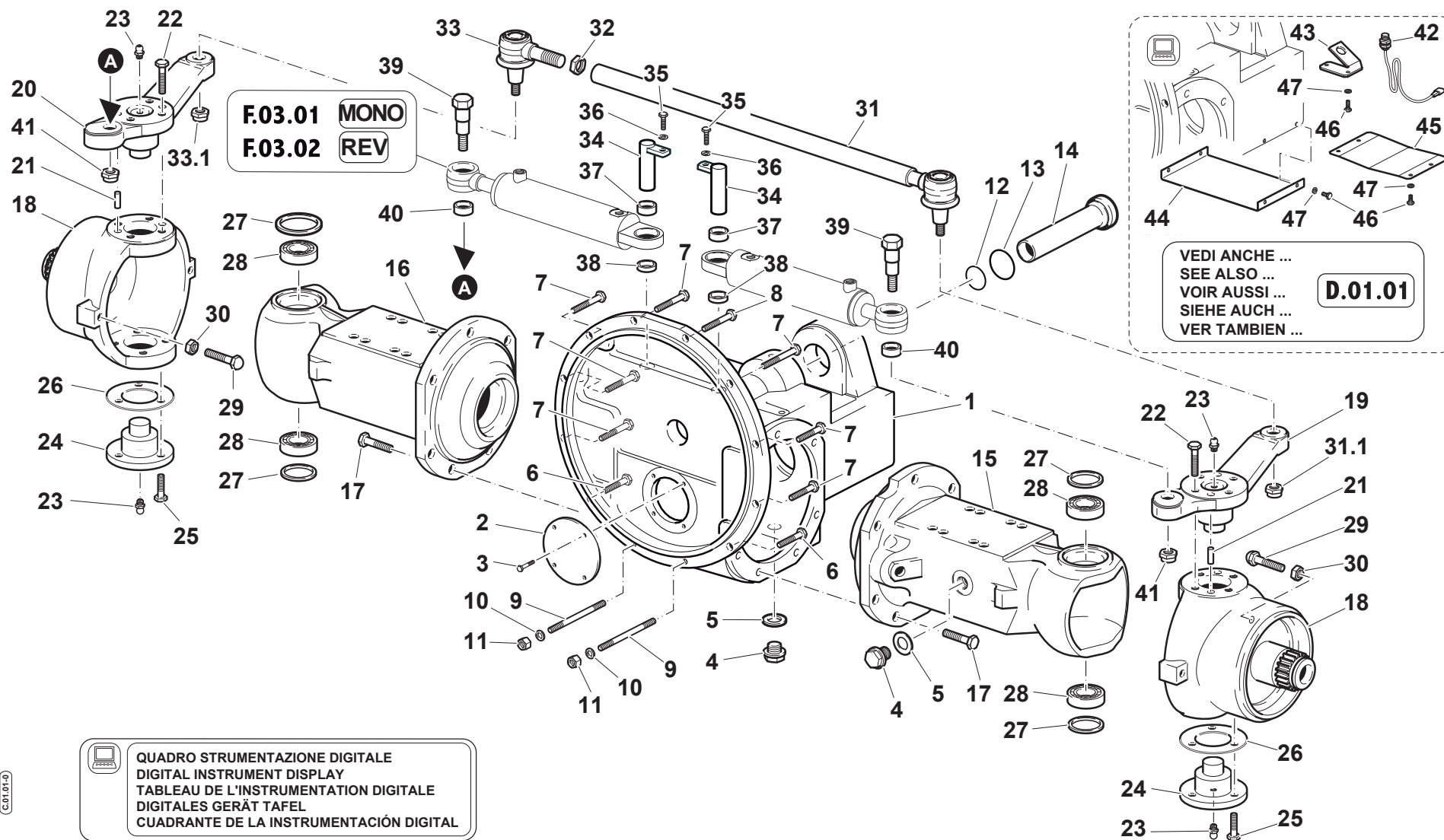
Pos.	Code	Q.ty	Description	Notes
35	31111151	2	SCREW TE M8X16 UNI 5739 8G	
46	31112082	10	SCREW TE M6X12 UNI 5739 8G	
3	31112090	4	SCREW TE M6X16 UNI 5739 8G	
6	31112211	2	SCREW TE M10X30 UNI 5739	
7	31112212	7	SCREW TE M10X35 UNI 5739	
8	31112213	1	SCREW TE M10X40 UNI 5739	
41	31241142	2	SELFLOCK NUT	
1	51174448	1	FRONT AXLE HOUSING	
2	51174467	1	FRONT COVER	
18	51270090	2	JOINT	
16	51270096	1	FRONT AXLE HOUSING	
15	51270103	1	FRONT AXLE HOUSING	
24	52370083	2	JOINT PIN	
20	52374703	1	RIGHT ARM	
19	52374704	1	STEERING TRACK LEVER	
40	56074712	2	SPACER	
26	56170082		SHIM	
26	56170221		SHIM	
26	56170222		SHIM	
26	56170223		SHIM	
37	56170226	2	SPACER	
38	56171172	2	SPACER	
45	56172538	1	LAMINATION	
26	56173353		SHIM	
43	56174919	1	BRACKET	
44	56174920	1	SHEET	
4	56370081	2	PLUG	
29	56370217	4	ADJUSTING SCREW	
21	56370228	4	CYLINDRICAL PLUG	
32	56370486	1	SPECIAL NUT M20X1 CH32 6S	
39	56374711	2	HINGE PIN	
33	58170069	1	BALL JOINT END	
27	58170077	4	GASKET	
42	58175209	1	SENSOR	

SERIAL

FRONT AXLE

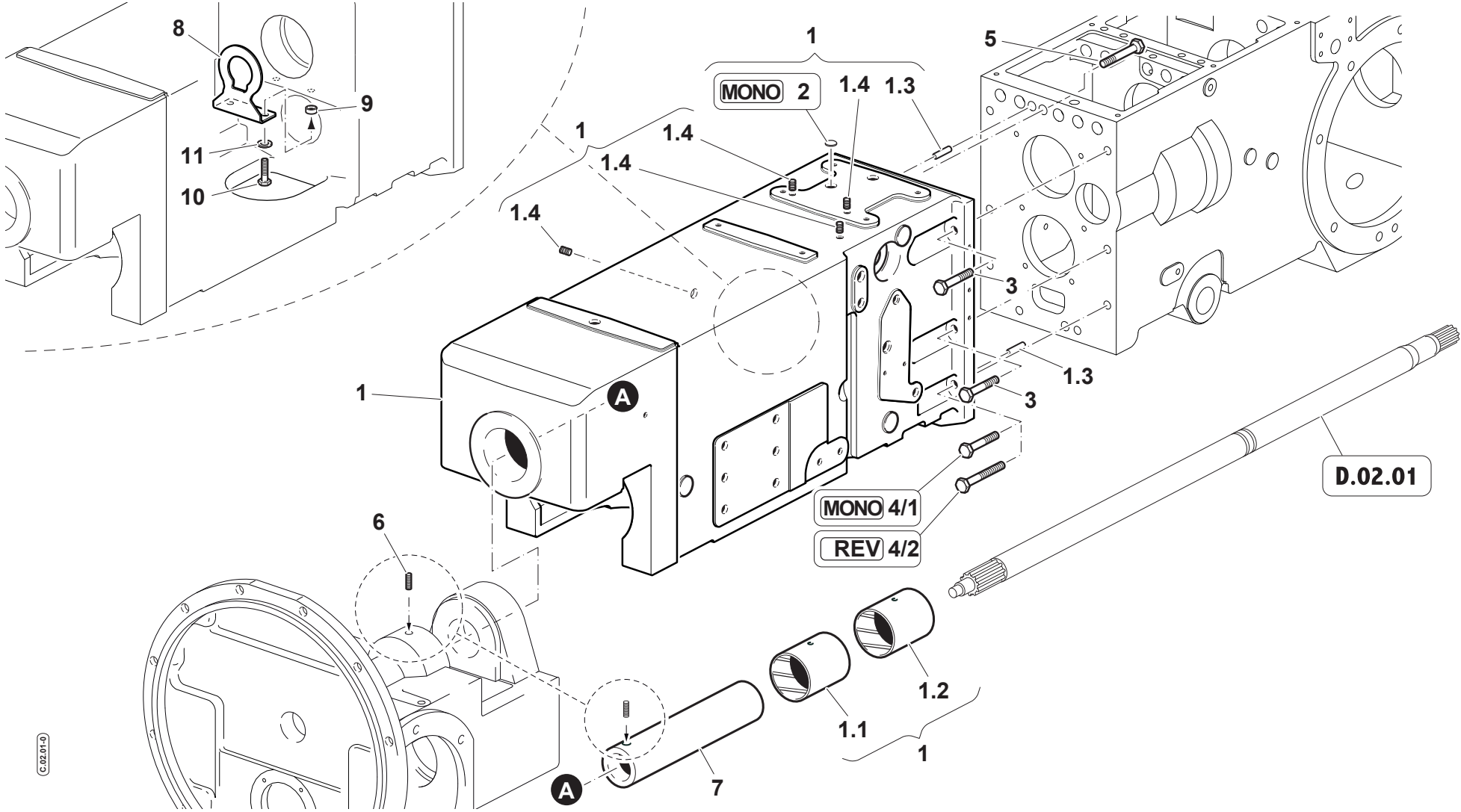
CODE REV

C.01.01.L50017_0



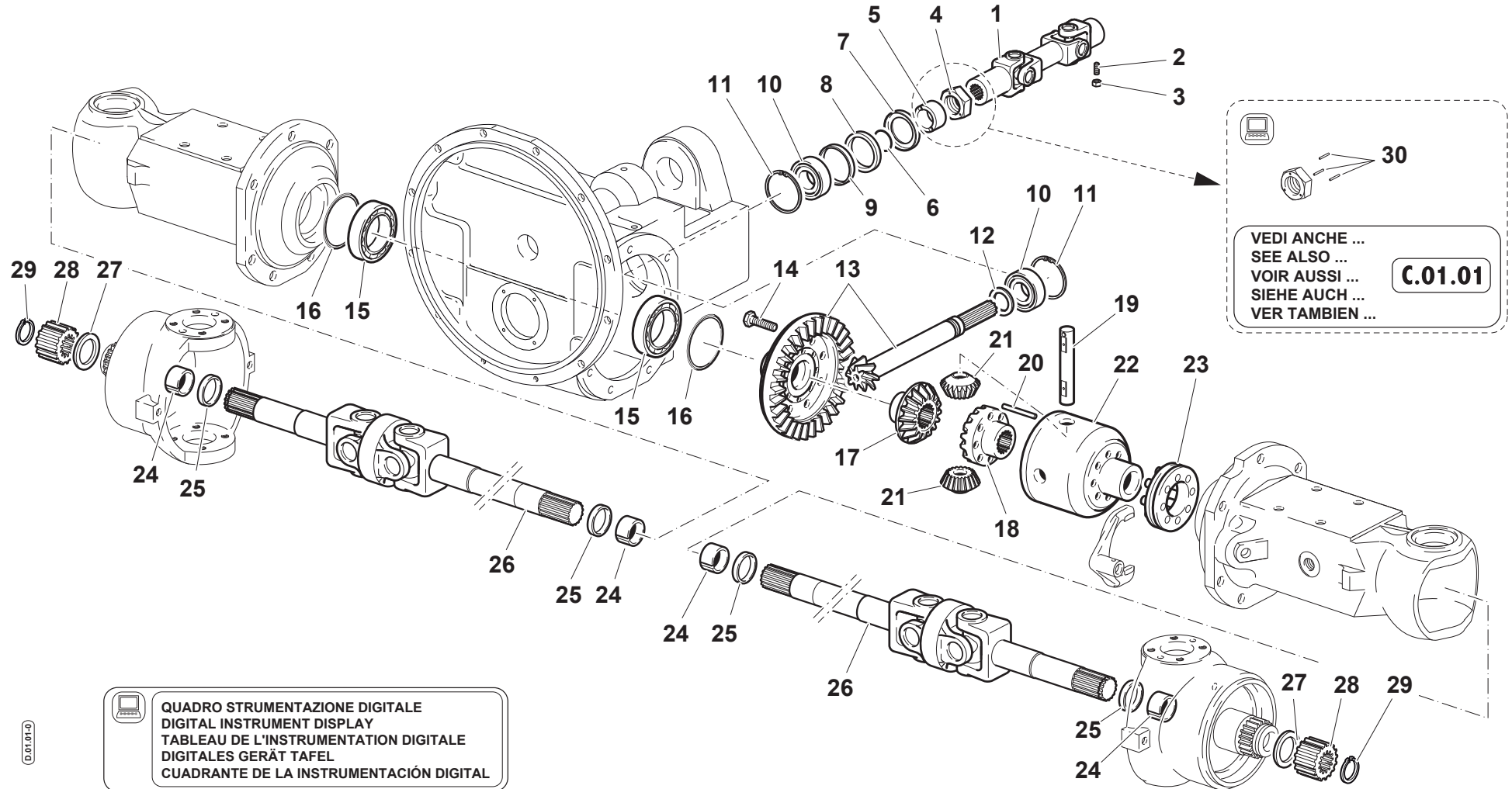
Pos.	Code	Q.ty	Description	Notes
14	59070012	1	PIPE	
31	59070225	1	ROD	
34	59071171	2	HINGE PIN	
12	F0803209000	1	O-RING	
13	F0803209070	1	O-RING	
28	F0812747000	4	BEARING 32006X (30x55x17)	
10	F0814632000	2	NUT M10	
30	F0814632000	4	NUT M10	
31,1	F0814797000	1	SELFLOCK NUT	
33,1	F0814797000	1	SELFLOCK NUT	
23	F0826038000	4	LUBRICATOR M8x1,25 UNI 7663A	
9	F0838475000	2	STUD BOLT M10X90 UNI 5911 8.8	
47	F0843570000	10	WASHER 6	
36	F0843643060	2	WASHER 8	
11	F0843755000	2	WASHER 10	
5	F0844273090	2	GASKET 22X28X1,5 CU 99,5	
25	F0863267050	6	SCREW M10x25	
22	F0863358050	8	SCREW	
17	F0864222010	16	SCREW M14X1,5/40 5738	

CENTRAL SECTION



Pos.	Code	Q.ty	Description	Notes
10	31112146	2	SCREW TE M8X22 UNI 5739 8G	
9	56170364	2	SPACER	
1,2	56276371	1	BUSHING	
1,1	56276372	1	BUSHING	
7	56474013	1	PIN	
1,3	56570016	2	CYLINDRICAL PLUG	
1,4	58070743	5	PLUG	
6	58170013	1	SCREW	
8	59075813	1	BRACKET	
1	59276001	1	CLUTCH HOUSING	
11	F0843643060	2	WASHER 8	
2	F0852540050	1	PLUG	
3	F0863925000	7	SCREW M12X40 UNI 5737	
4/01	F0863925000	1	SCREW M12X40 UNI 5737	
5	F0863951000	1	SCREW M12X45 UNI 5737	
4/02	F0863997010	1	SCREW M12X50 UNI 5737	

Pos.	Code	Q.ty	Description	Notes
3	31112151	6	SCREW TE M8X25 UNI 5739 8G	
7	31313300	10	STUD BOLT M14X1,5X105	
8	31313320	6	STUD BOLT M14X1,5X120	
6	51170020	2	BRAKE HOUSING	
2	51173650	1	FRONT COVER	
11	51173803	1	BOX	
10	51173804	1	REDUCTION BOX	
1	51173821	1	GEAR BOX	
12	56373800	2	SUPPORT	
4	58170021	1	PLUG	
9	F0814750010	16	NUT M14X1,5	
5	F0844273090	1	GASKET 22X28X1,5 CU 99,5	
13	F0863890010	16	SCREW M12x1,75x35	



VEDI ANCHE ...
SEE ALSO ...
VOIR AUSSI ...
SIEHE AUCH ...
VER TAMBIEN ...

C.01.01

QUADRO STRUMENTAZIONE DIGITALE
DIGITAL INSTRUMENT DISPLAY
TABLEAU DE L'INSTRUMENTATION DIGITALE
DIGITALES GERÄT TAFEL
CUADRANTE DE LA INSTRUMENTACIÓN DIGITAL

D.01.01.L50017_0.ai

C.01.01

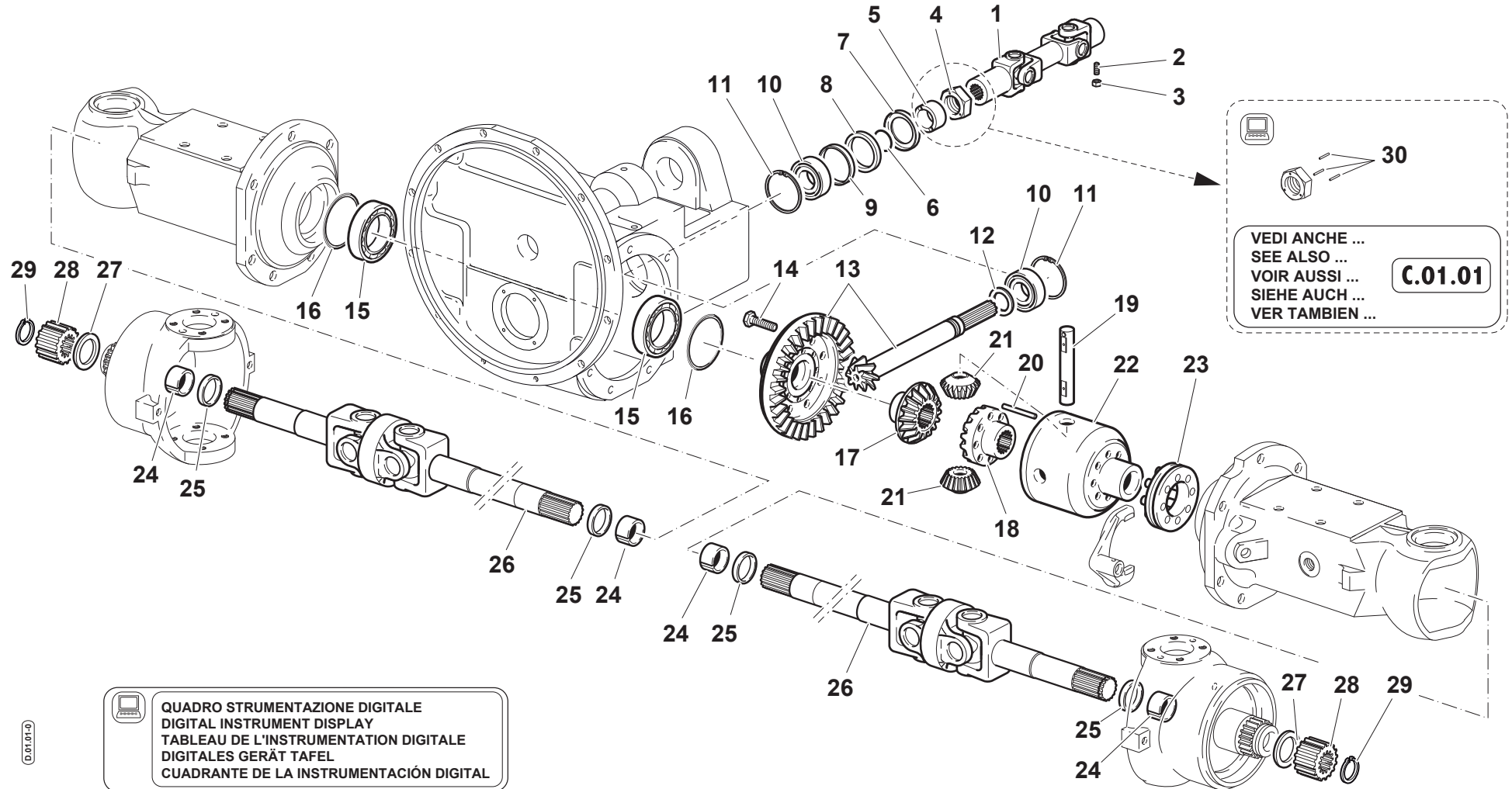
Pos.	Code	Q.ty	Description	Notes
22	51371035	1	HOUSING	
18	52470063	1	PINION	
17	52470064	1	PINION	
21	52470067	2	DIFFERENTIAL PINION	
28	52470086	2	CROWN WHEEL	
9	56170213	1	SPACER	
7	56170214	1	PROTECTIVE RING D=72	
16	56370089		RING	
16	56370127		RING	
16	56370128		RING	
12	56370209		SHIM	
12	56370210		SHIM	
12	56370211		SHIM	
12	56370212		SHIM	
20	56371037	2	PIN	
4	56372536	1	RING NUT	
5	56470215	1	SPACER	
27	56470216	2	SHIM	
19	56471036	1	PIN	
24	58170039	4	BUSHING	
26	58170107	2	JOINT	
1	58174552	1	JOINT	
23	59070065	1	SLEEVE	
13	59374548	1	BEVEL GEAR	
29	F0801218010	2	SEEGER RING	
11	F0801422010	2	SEEGER RING	
25	F0802119050	4	SEAL 30x44x11	
8	F0802239045	1	SEAL 50x72x8	
6	F0803078100	1	O-RING	
10	F0812859000	2	BEARING 32207	
15	F0812956000	2	BEARING 32010 X/Q	
3	F0814574000	1	NUT	
30	F0851044000	3	PIN 3,0X26 DIN 1481 CL:C72	
2	F0862593050	1	SCREW M8X20 UNI 5927	

SERIAL

FRONT TRANSMISSION

CODE REV

D.01.01.L50017_0



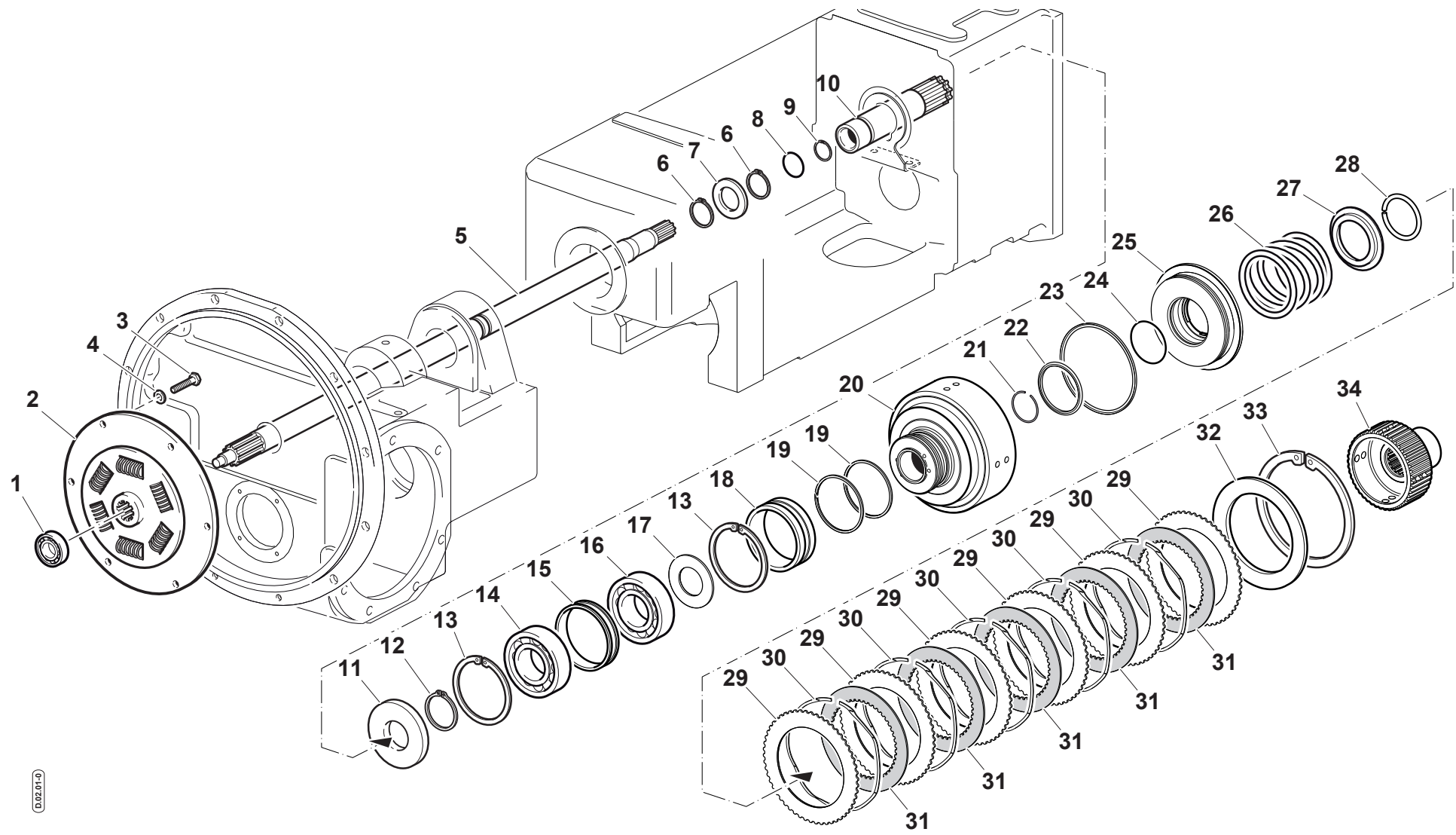
 **QUADRO STRUMENTAZIONE DIGITALE**
DIGITAL INSTRUMENT DISPLAY
TABLEAU DE L'INSTRUMENTATION DIGITALE
DIGITALES GERÄT TAFEL
CUADRANTE DE LA INSTRUMENTACIÓN DIGITAL

D.01.01.L50017_0.ai

C.01.01

Pos.	Code	Q.ty	Description	Notes
14	F0863311250	8	SCREW M10x1,5x32	

CLUTCH FRONT SHAFT/ TRANSMISSION CLUTCH



Pos.	Code	Q.ty	Description	Notes
3	31112148	6	SCREW TE M8X18 UNI 5739 8G	
4	31421083	6	WASHER	
13	35111080	2	SEEGER RING	
6	35121030	2	SEEGER RING	
14	37111354	1	BEARING	
24	38104412	1	O-RING	
8	38112507	1	O-RING	
34	52473655	1	HUB	
10	52473658	1	SHAFT	
20	52573648	1	CLUTCH HOUSING	
25	53273025	1	PISTON	
15	56175670	1	SPACER	
32	56370037	1	CLUTCH DISC	
27	56370267	1	RING	
17	56371162	1	SHIM	
18	56470002	1	BUSHING	
5	56573662	1	FRONT CLUTCH SHAFT	
7	57371049	1	WASHER D.44x30,2/4	
26	58070262	1	RESTORING SPRING	
28	58070268	1	CIRCLIP	
29	58170034	6	DISC	
19	58170306	2	SEAL	
22	58170443	1	GASKET	
31	58172105	5	DISC	
30	58172106	5	SPRING	
23	58172400	1	GASKET	
2	58174716	1	JOINT	
9	F0801138010	1	SEEGER RING	
12	F0801264050	1	SEEGER RING	
21	F0801266100	1	SAFETY RING	
33	F0801455100	1	SEEGER RING	
11	F0802163010	1	SEAL 35x80/10	
1	F0812523050	1	BEARING 6201-2RS	
16	F0812868060	1	BEARING 6307-Z (35X80X21)	

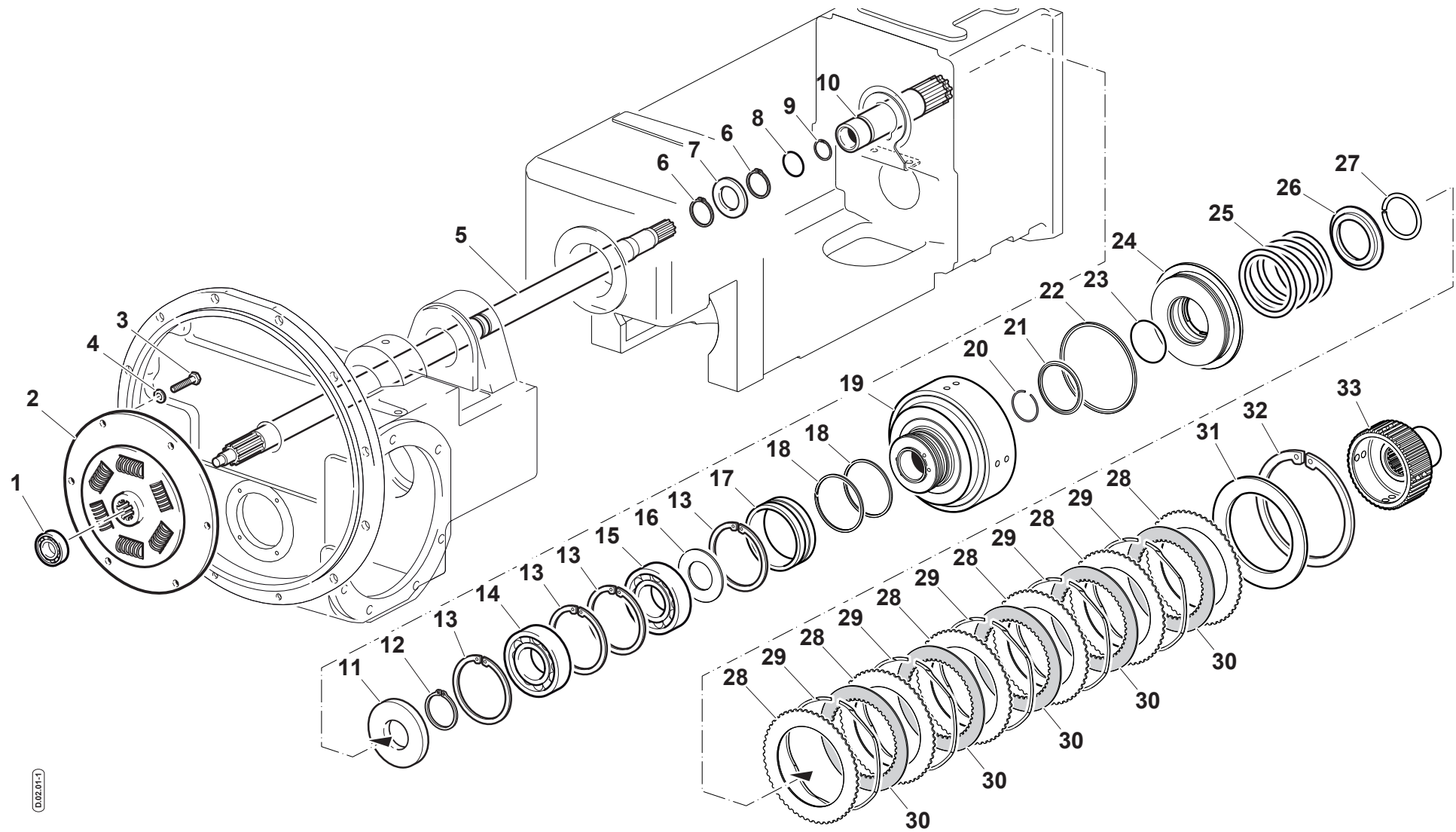
SERIAL

CLUTCH FRONT SHAFT/ TRANSMISSION CLUTCH

CODE REV

D.02.01.L50017_0

CLUTCH FRONT SHAFT/ TRANSMISSION CLUTCH



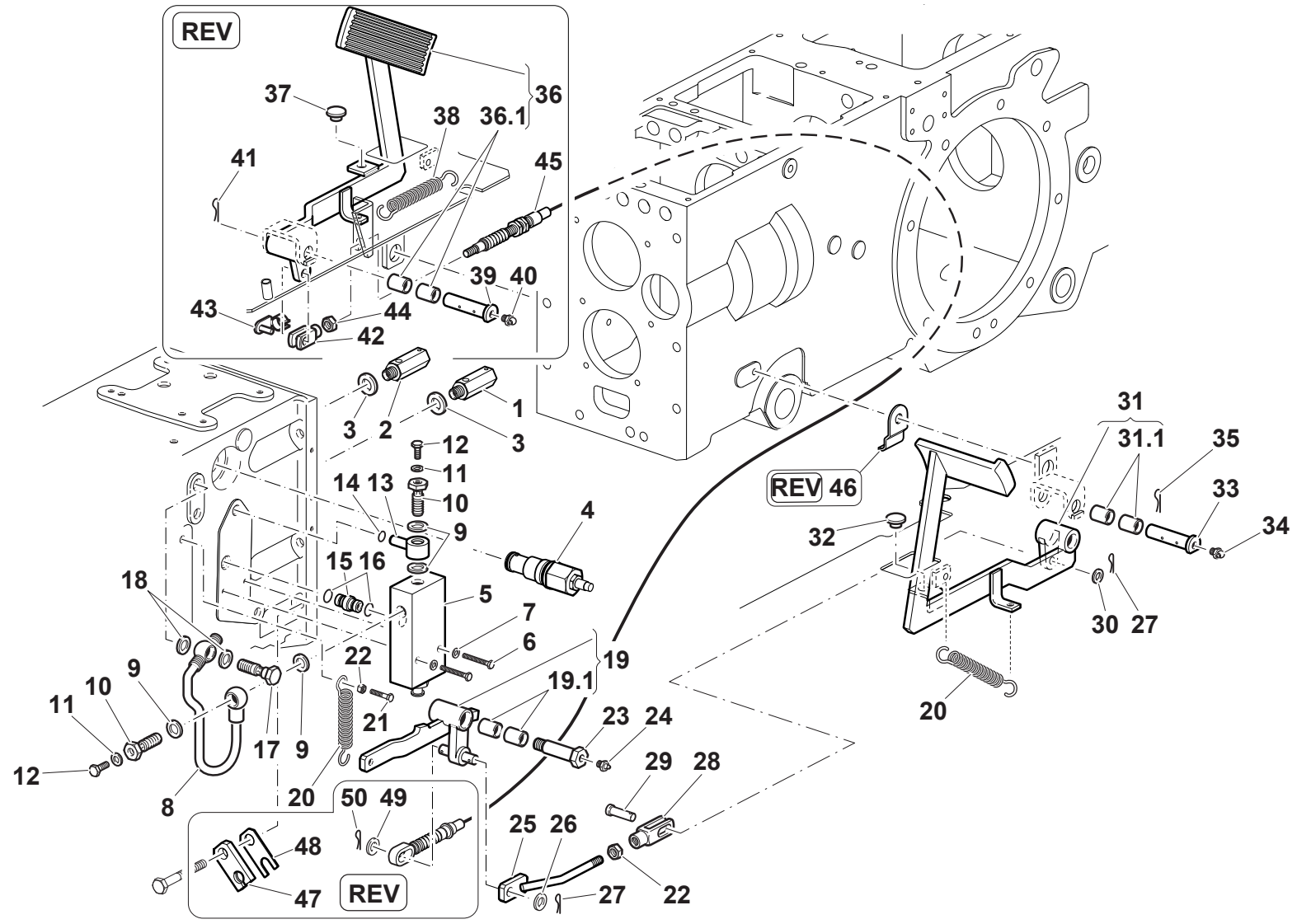
Pos.	Code	Q.ty	Description	Notes
3	31112148	6	SCREW TE M8X18 UNI 5739 8G	
4	31421083	6	WASHER	
13	35111080	4	SEEGER RING	
6	35121030	2	SEEGER RING	
14	37111354	1	BEARING	
23	38104412	1	O-RING	
8	38112507	1	O-RING	
33	52473655	1	HUB	
10	52473658	1	SHAFT	
19	52573648	1	CLUTCH HOUSING	
24	53273025	1	PISTON	
31	56370037	1	CLUTCH DISC	
26	56370267	1	RING	
16	56371162	1	SHIM	
17	56470002	1	BUSHING	
5	56573662	1	FRONT CLUTCH SHAFT	
7	57371049	1	WASHER D.44x30,2/4	
25	58070262	1	RESTORING SPRING	
27	58070268	1	CIRCLIP	
28	58170034	6	DISC	
18	58170306	2	SEAL	
21	58170443	1	GASKET	
30	58172105	5	DISC	
29	58172106	5	SPRING	
22	58172400	1	GASKET	
2	58174716	1	JOINT	
9	F0801138010	1	SEEGER RING	
12	F0801264050	1	SEEGER RING	
20	F0801266100	1	SAFETY RING	
32	F0801455100	1	SEEGER RING	
11	F0802163010	1	SEAL 35x80/10	
1	F0812523050	1	BEARING 6201-2RS	
15	F0812868060	1	BEARING 6307-Z (35X80X21)	

SERIAL

CLUTCH FRONT SHAFT/ TRANSMISSION CLUTCH

CODE REV

D.02.01.L50017_1



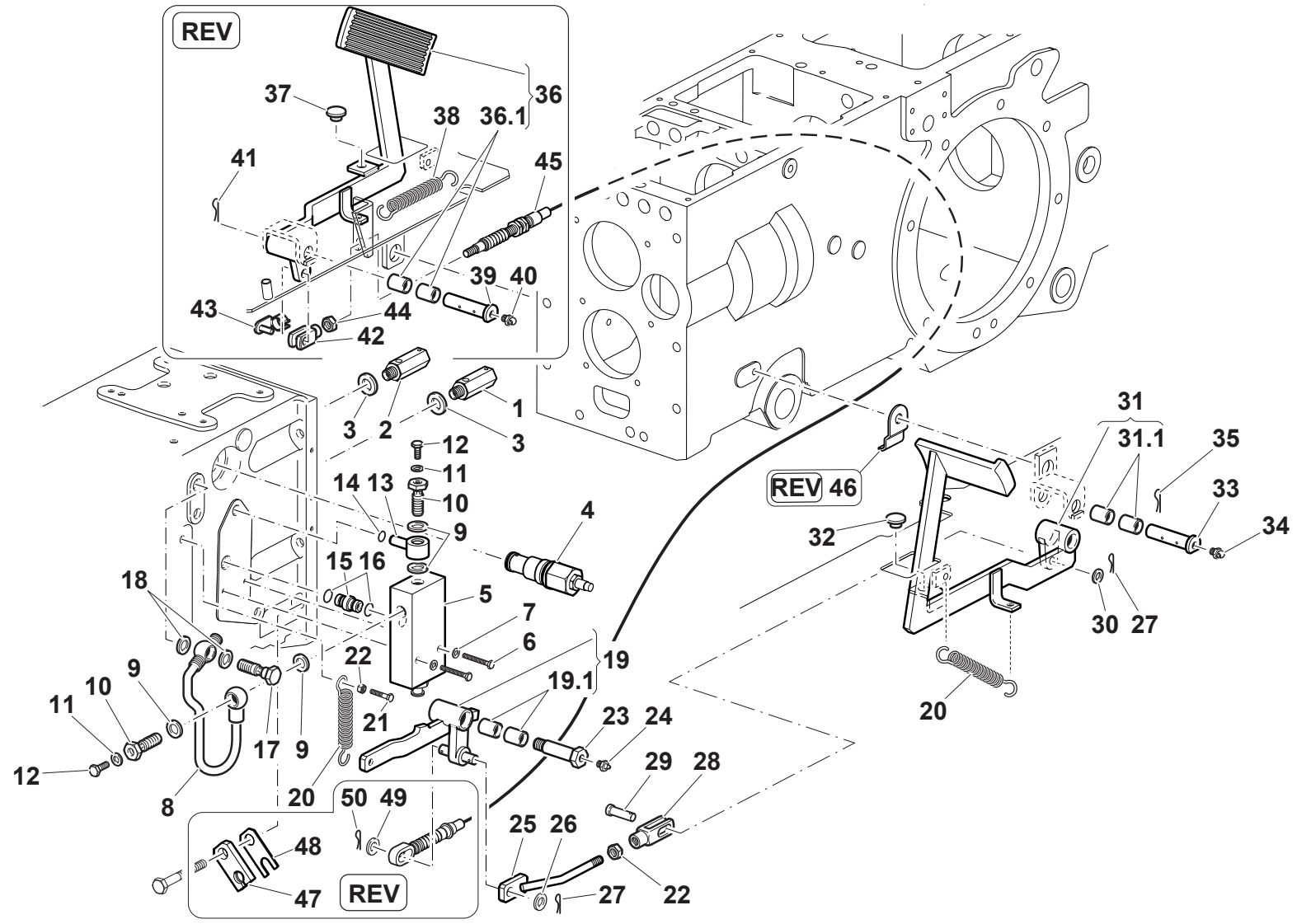
Pos.	Code	Q.ty	Description	Notes
24	30000007	1	LUBRICATOR	
30	31411084	1	WASHER 8,4x17	
26	31411105	1	WASHER 10,5x21	
49	31411105	1	WASHER 10,5x21	
28	56074302	1	FORK	
46	56075230	1	BRACKET	
15	56170029	1	PIPE FITTING	
23	56173684	1	PIN	
47	56174400	1	PLATE	
48	56174401	1	FIXING PLATE	
33	56373194	1	HINGE PIN	
20	58070790	2	RESTORING SPRING	
38	58070790	1	RESTORING SPRING	
10	58074558	2	PIPE FITTING	
5	58173030	1	SWITCH	
19,1	58173195	2	BUSHING	
31,1	58173195	2	BUSHING	
36,1	58173195	2	BUSHING	
4	58173961	1	VALVE	
45	58174417	1	CABLE	
25	59073685	1	ROD	
19	59073725	1	ROCKER	
36	59074081	1	PEDAL	
31	59074206	1	CLUTCH PEDAL	
39	59074296	1	PEDAL	
13	59074623	1	PRESSURE PIPE	
8	59074741	1	PIPE	
1	59271860	1	VALVE	
2	59276708	1	VALVE	
16	F0803057000	2	O-RING	
14	F0803171100	1	O-RING	
27	F0810510000	2	SPLIT PIN A2,0X20 UNI 1336	
50	F0810510000	1	SPLIT PIN A2,0X20 UNI 1336	
35	F0810527000	1	FRONT COVER	

SERIAL

CLUTCH CONTROLS

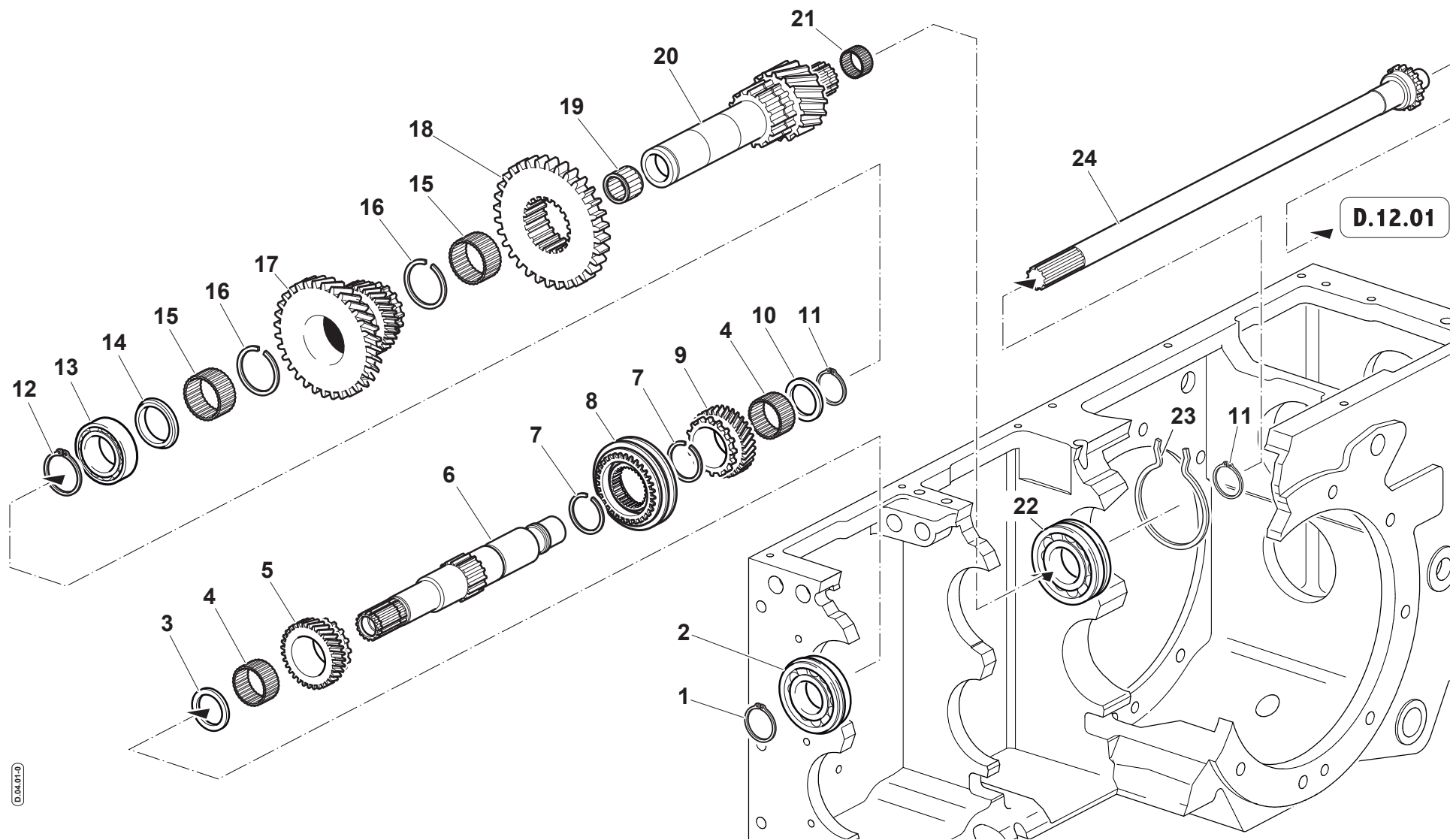
CODE REV

D.03.01.L50017_0



Pos.	Code	Q.ty	Description	Notes
41	F0810527000	1	FRONT COVER	
22	F0814569000	2	NUT	
44	F0814569000	1	NUT	
32	F0822537050	1	BUFFER	
37	F0822537050	1	BUFFER	
18	F0824110000	2	COPPER WASHER 3/8 GAS	
34	F0826039000	1	LUBRICATOR	
40	F0826039000	1	LUBRICATOR	
29	F0835523000	1	PIN	
17	F0843109020	1	PIPE FITTING	
7	F0843581010	2	SPRING WASHER 6	
11	F0843641000	2	COPPER WASHER 8x14/1,5	
3	F0843841000	2	COPPER WASHER 12,0x18/1,5	
9	F0843907000	4	COPPER WASHER 13,66x19/1,5	
42	F0860060010	1	FORK	
43	F0860060020	1	PIN	
6	F0862345000	2	SCREW M6X40 UNI 5737	
12	F0862448100	2	SCREW M8X10 UNI 5740	
21	F0862694000	1	SCREW M8X170 UNI 5737	

INPUT SHAFT/RANGES MAIN SHAFT/GEARS

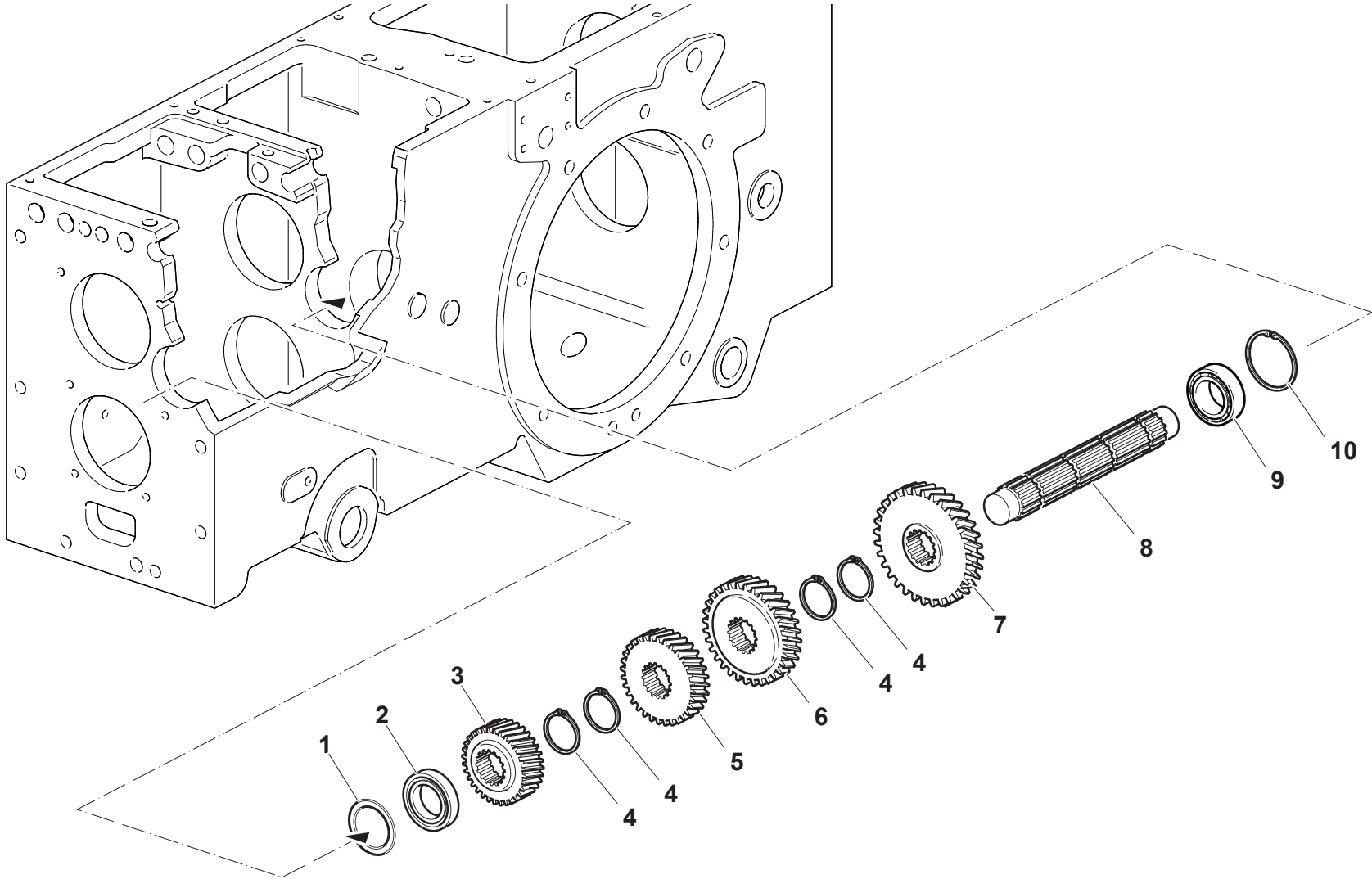


D.04.01.L50017_0.ai

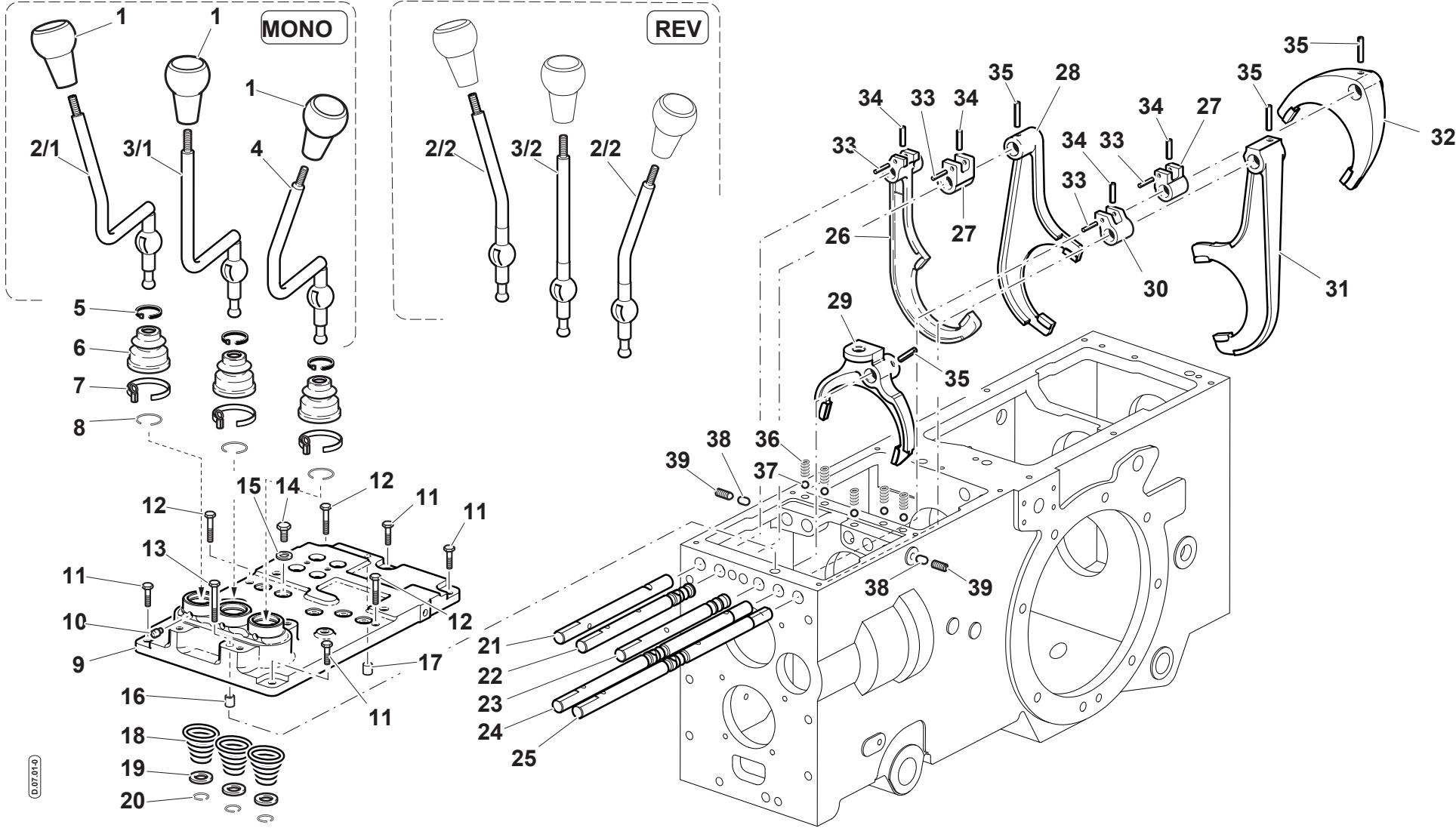
D.04.01-0

Pos.	Code	Q.ty	Description	Notes
11	35121040	2	SEEGER RING	
18	52470762	1	SLIDING GEAR	
24	52473656	1	SHAFT	
5	52473838	1	DRIVEN GEAR	
9	52473839	1	GEAR	
17	52474254	1	DOUBLE GEAR	
20	52475073	1	OUTPUT SHAFT	
3	56470110	1	SHIM	
14	56470111	1	SHIM	
10	56470139	1	SHIM	
6	56473818	1	SHAFT	
23	58170130	1	CIRCLIP	
8	58170279	1	LOCK SYNCHRONIZER	
1	F0801264050	1	SEEGER RING	
7	F0801331150	2	SAFETY RING	
12	F0801353000	1	SEEGER RING	
16	F0801380100	2	SAFETY RING	
21	F0812660020	1	ROLLER CAGE K 22X26/17	
19	F0812783000	1	ROLLER CAGE K 32X38/20	
2	F0812868000	1	BEARING 6307-NR	
4	F0812878040	2	ROLLER CAGE K 40X45/27	
22	F0812918010	1	BEARING 6308-NR (40x90x23)	
15	F0812951200	2	ROLLER CAGE K 50X55/20 H	
13	F0812952000	1	BEARING 6010	

GEARS MAIN SHAFT/GEARS



Pos.	Code	Q.ty	Description	Notes
10	35111052	1	SEEGER RING	
9	37111255	1	BEARING	
8	52473827	1	OUTPUT SHAFT	
3	52473828	1	GEAR	
5	52473829	1	GEAR	
6	52473830	1	GEAR	
7	52473831	1	GEAR	
4	F0801241010	4	SEEGER RING	
2	F0812708030	1	BEARING NJ 205E	
1	F0850100000	1	SHIM 41x51/0,2	
1	F0850100010	1	SHIM 41x51/0,3	
1	F0850100020	1	SHIM 41x51/0,5	



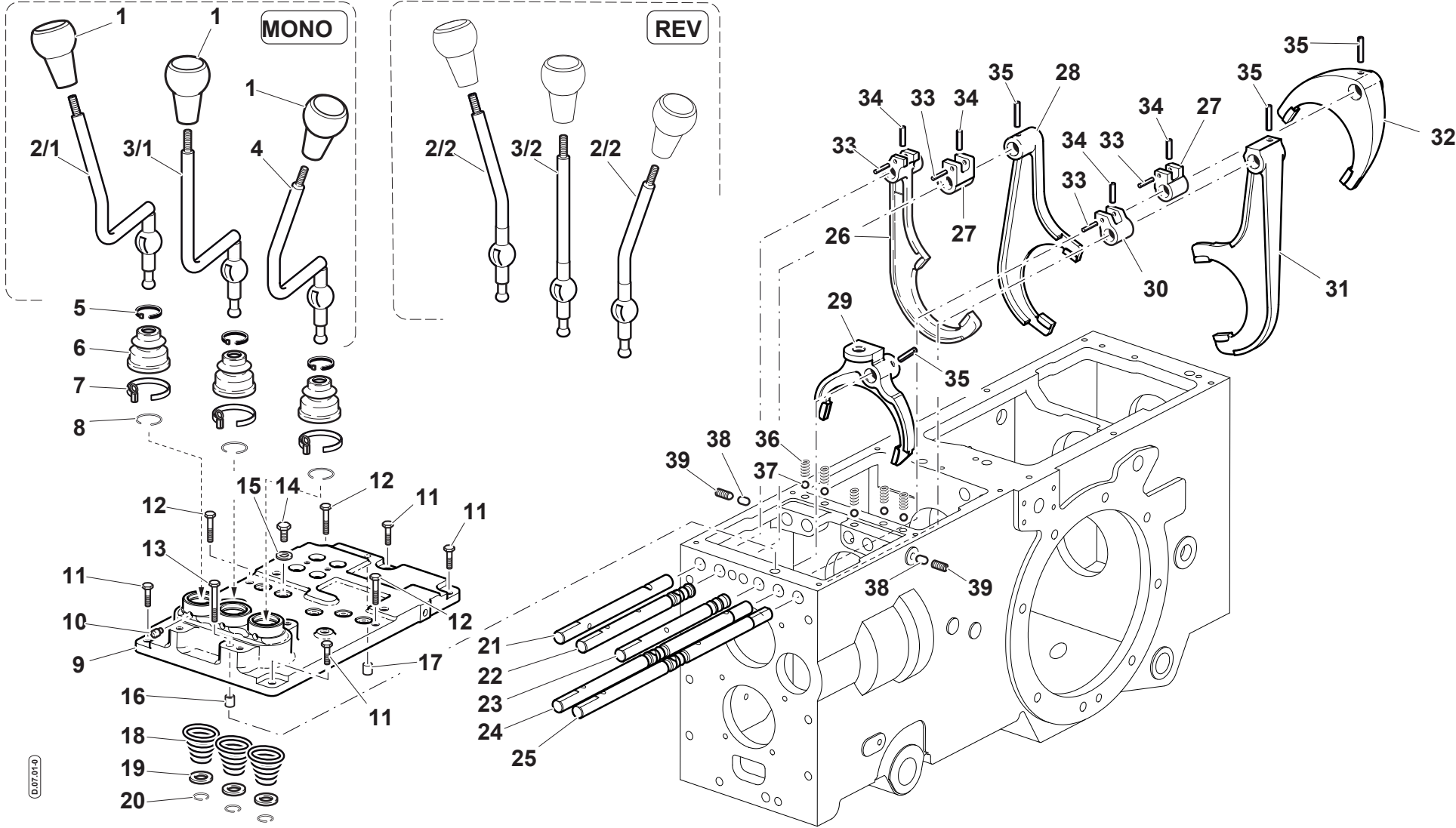
Pos.	Code	Q.ty	Description	Notes
11	31112146	4	SCREW TE M8X22 UNI 5739 8G	
12	31112152	3	SCREW TE M8X30 UNI 5739 8G	
9	51174394	1	COVER	
32	51270771	1	SELECTOR FORK	
31	51273893	1	SELECTOR FORK	
28	52272112	1	SELECTOR FORK	
29	52273364	1	SELECTOR FORK	
26	52274299	1	SELECTOR FORK	
02-feb	52374189	2	COMMAND LEVER	
27	52374297	2	CATCH	
30	52374298	1	CATCH	
03-feb	52374386	1	COMMAND LEVER	
6	55170053	3	CAP	
16	56170017	1	PIN	
10	56370018	6	HINGE PIN	
25	56370154	1	PULL ROD	
23	56370165	1	ROD	
19	56370172	3	SPACER	
22	56370177	1	PULL ROD	
14	56370186	5	PLUG	
21	56371065	1	PULL ROD	
24	56373213	1	PULL ROD	
17	56570016	1	CYLINDRICAL PLUG	
38	56570125	2	TOGGLE	
18	58070164	3	SPRING	
20	58070168	3	LOCKRING	
8	58070169	3	LOCKRING	
36	58070741	5	SPRING	
7	58170054	3	COLLAR	
1	58174192	3	HANDLE	
02-gen	59074185	1	COMMAND LEVER	
4	59074188	1	COMMAND LEVER	
03-gen	59074387	1	COMMAND LEVER	
5	F0817640003	3	CLAMP 4,8x180	

SERIAL

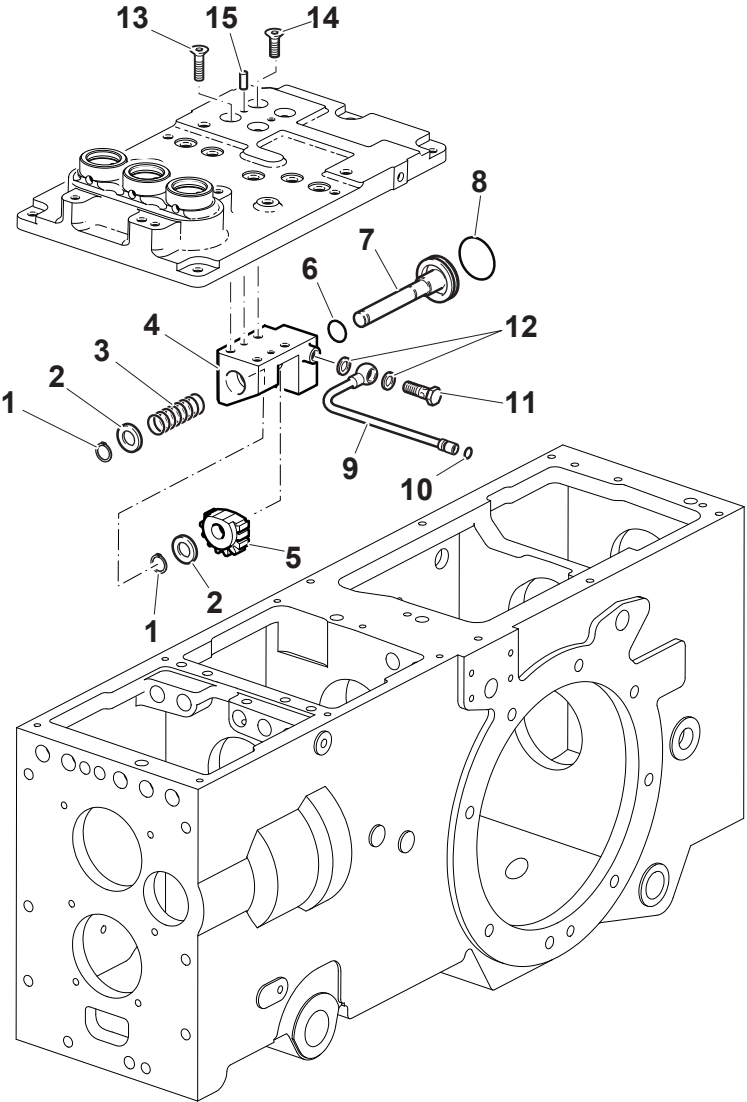
GEARBOX CONTROLS

CODE REV

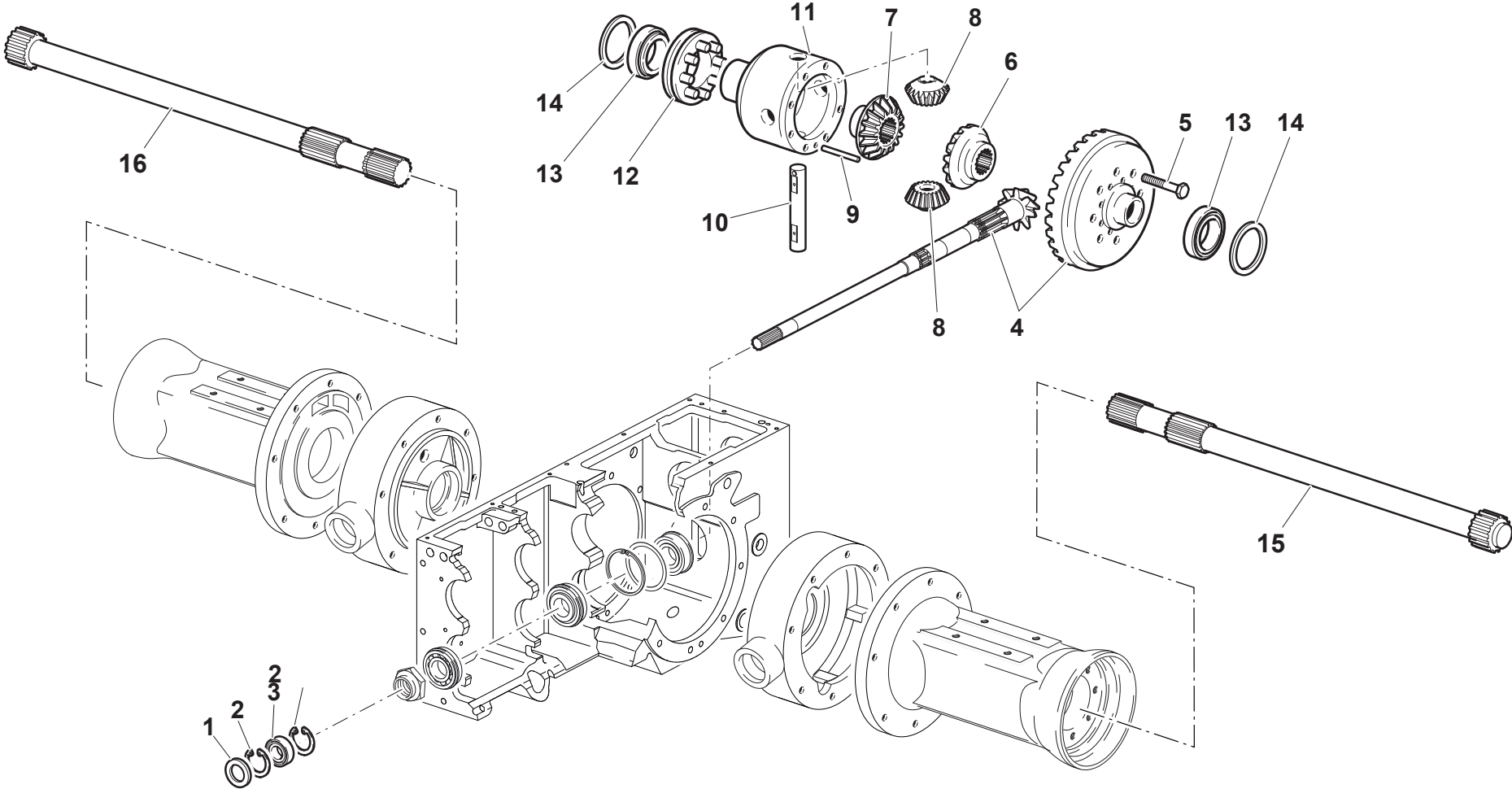
D.07.01.L50017_0



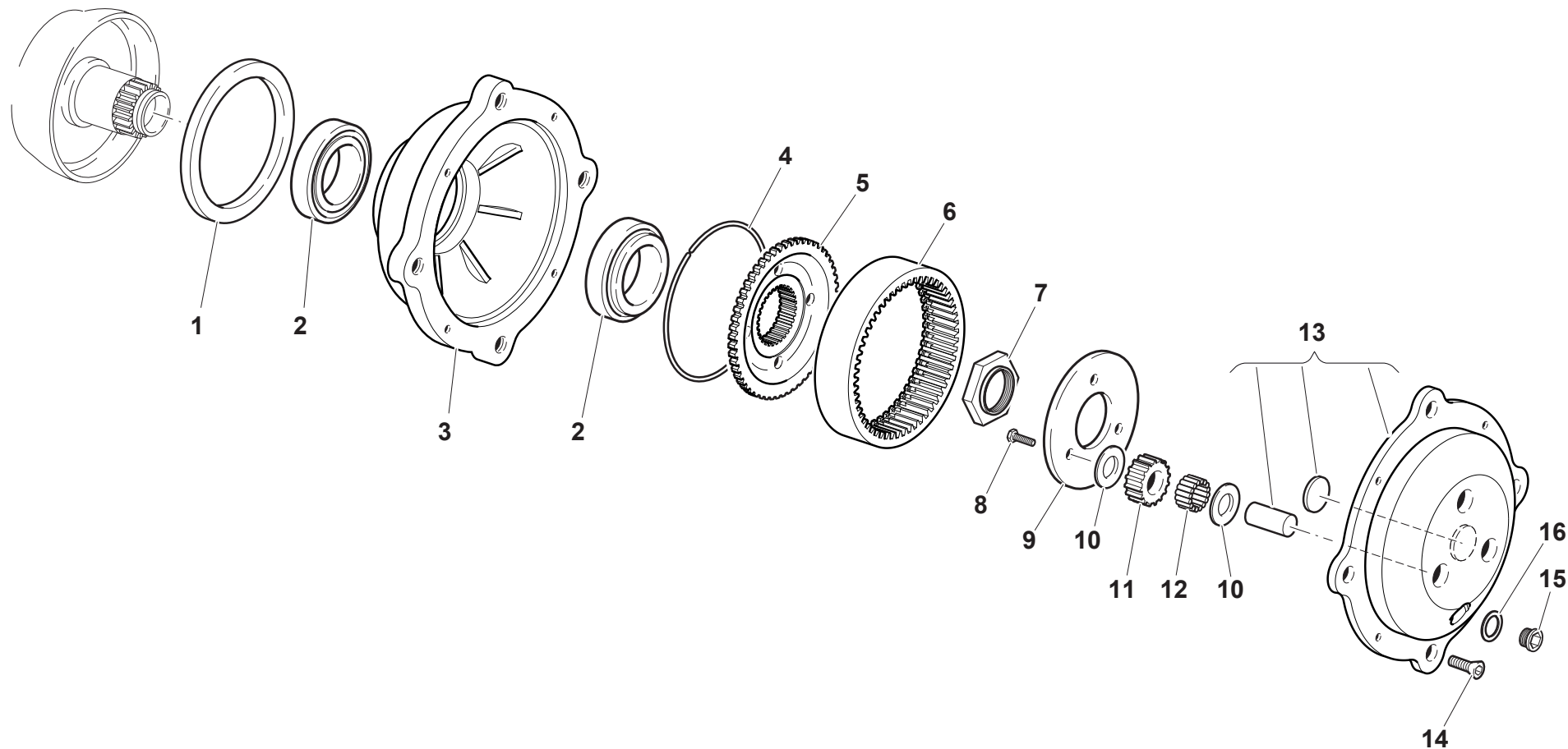
Pos.	Code	Q.ty	Description	Notes
15	F0843771000	5	COPPER WASHER 10,0x16/1	
37	F0847434000	5	BALL	
33	F0851156000	4	PIN 4X30 DIN 1481 CL:C72	
34	F0851262000	4	PIN 6X26 DIN 7343 CL:C72	
35	F0851267050	3	PIN 6X30 DIN 7343 CL:C72	
13	F0862944000	1	SCREW M8X60 UNI 5737	
39	F0863183000	2	SCREW M10X16 UNI 5923	



Pos.	Code	Q.ty	Description	Notes
1	35121014	0	SEEGER RING	
8	38114070	0	O-RING	
15	52074435	0	CYLINDRICAL PLUG	
5	56475839	0	SMALL BLOCK	
3	58072107	0	SPRING	
9	59074436	0	PIPE	
4	59074438	0	SMALL BLOCK	
7	59272073	0	PISTON	
10	F0803050000	0	O-RING	
6	F0803186000	0	O-RING	
11	F0843102000	0	THREADED TERMINAL END	
12	F0843771000	0	COPPER WASHER 10,0x16/1	
2	F0843957000	0	WASHER D.25x14,5/2,2	
14	F0862549000	0	SCREW M8X18 UNI 5933	
13	F0862655000	0	SCREW M8X25-5933	

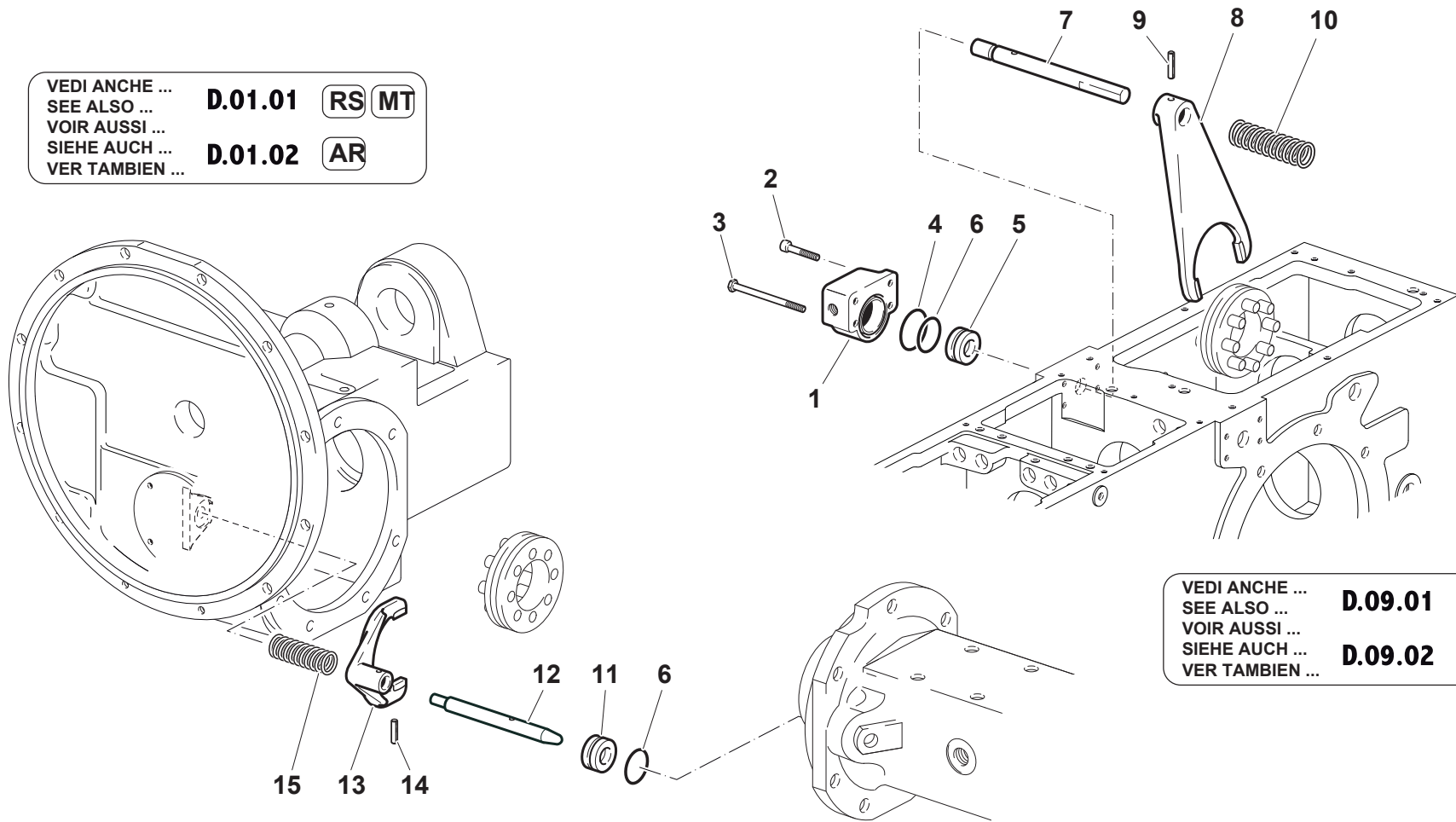


Pos.	Code	Q.ty	Description	Notes
2	35111062	2	SEEGER RING	
3	37111254	1	BEARING	
11	51371035	1	HOUSING	
7	52470061	1	PINION	
6	52470062	1	PINION	
8	52470067	2	DIFFERENTIAL PINION	
16	52470105	1	REAR AXLE SHAFT	
15	52470106	1	REAR AXLE SHAFT	
14	56370089		RING	
14	56370127		RING	
14	56370128		RING	
14	56370830		RING	
9	56371037	2	PIN	
10	56471036	1	PIN	
12	59070065	1	SLEEVE	
4	59374549	1	BEVEL GEAR	
1	F0802104000	1	OIL SEAL 25x62/10	
13	F0812956000	2	BEARING 32010 X/Q	
5	F0863311250	8	SCREW M10x1,5x32	



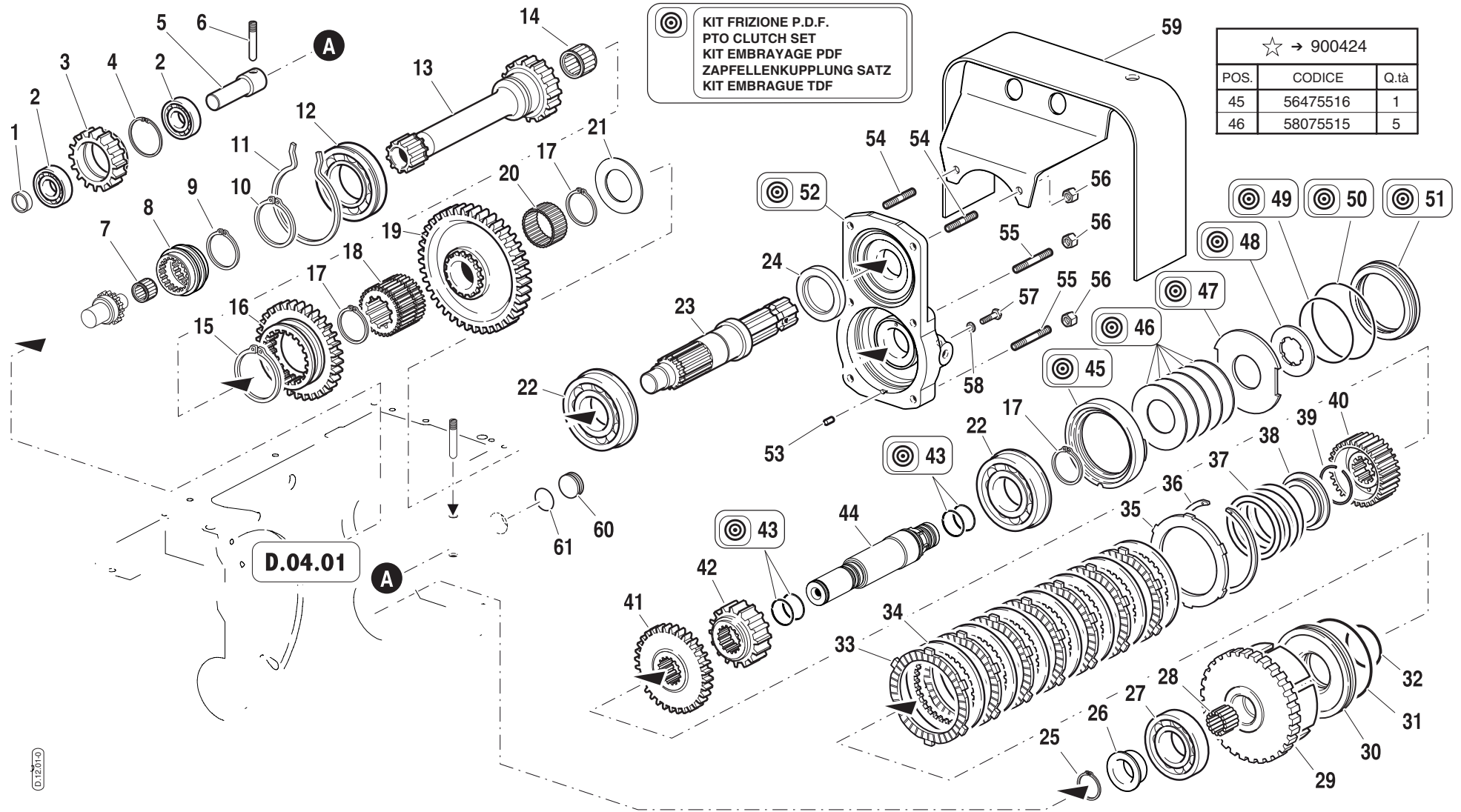
Pos.	Code	Q.ty	Description	Notes
3	51172005	1	HUB	
6	52370072	1	CROWN WHEEL	
5	52370075	1	FLANGE	
11	52470087	3	PLANETARY GEAR	
9	56170074	1	ADJUSTING RING	
10	56370076	6	SHIM	
7	56370079	1	RING NUT	
15	56370081	1	PLUG	
4	58070071	1	RING	
12	58170070	3	ROLLER BEARING	
13	59070094	1	COVER	
1	F0802700150	1	SEAL 125x150x12	
2	F0812975250	2	CYL. ROLLER BEARING 32013X	
16	F0844273090	1	GASKET 22X28X1,5 CU 99,5	
8	F0862478070	3	SCREW M8x16	
14	F0862655000	4	SCREW M8X25-5933	

VEDI ANCHE ... **D.01.01** **RS** **MT**
 SEE ALSO ...
 VOIR AUSSI ...
 SIEHE AUCH ... **D.01.02** **AR**
 VER TAMBIEN ...



VEDI ANCHE ... **D.09.01** **RS** **MT**
 SEE ALSO ...
 VOIR AUSSI ...
 SIEHE AUCH ... **D.09.02** **AR**
 VER TAMBIEN ...

Pos.	Code	Q.ty	Description	Notes
3	31112161	2	SCREW TE M8X50 UNI 5737 8G	
2	31152085	2	SCREW TCEI M8X25 UNI 5931	
8	51270174	1	FORK	
13	51270203	1	FORK	
1	52374641	1	SMALL BLOCK	
5	56370187	1	PISTON	
7	56370204	1	LOCKING DEVICE	
12	56370582	1	LOCKING DEVICE	
11	56370583	1	PISTON	
10	58070198	1	SPRING	
15	58070205	1	SPRING	
6	58170195	2	GASKET	
4	F0803209000	1	O-RING	
14	F0851260000	1	PIN	
9	F0851267050	1	PIN 6X30 DIN 7343 CL:C72	



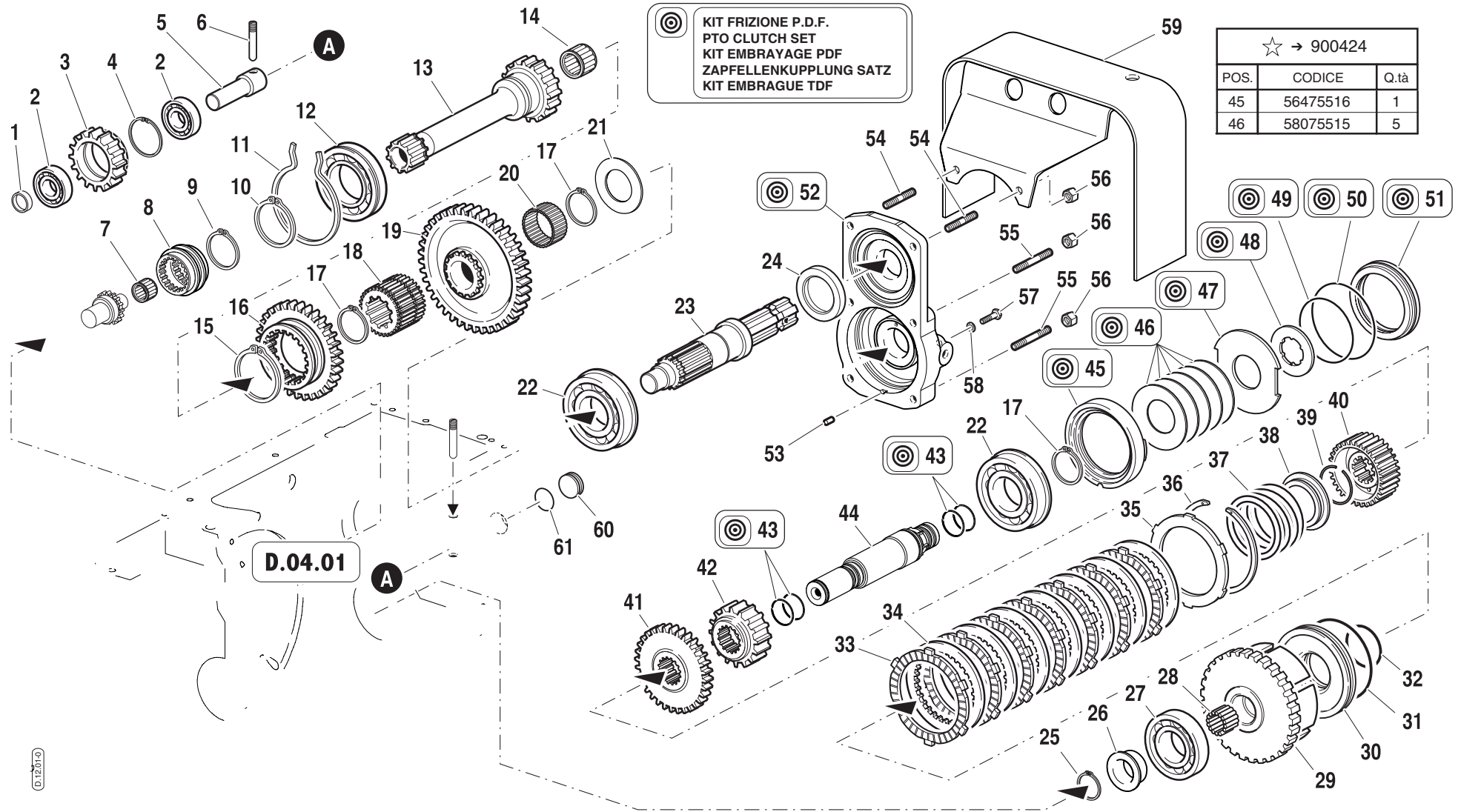
Pos.	Code	Q.ty	Description	Notes
55	31312089	4	STUD BOLT M8x52x14x18	
4	35111047	1	SEEGER RING	
9	35121040	1	SEEGER RING	
27	37111404	1	BEARING	
49	38116317	1	RING	
50	38118720	1	O-RING	
35	52372292	1	RING	
8	52470298	1	SLEEVE	
3	52473873	1	INTERMEDIATE WHEEL	
13	52473874	1	SHAFT	
19	52473875	1	DRIVEN GEAR	
23	52473876	1	P.T.O. STUB	
41	52473881	1	GEAR	
40	52473885	1	DISC HUB	
42	52473894	1	GEAR	
18	52475059	1	FIX SLEEVE	
16	52475060	1	PTO GEAR	
30	53273886	1	PISTON	
51	53273891	1	PISTON	
60	56074313	1	PLUG	
1	56171572	1	SPACER	
5	56174108	1	GEAR PIN	
6	56370178	1	SCREW	
38	56372282	1	RING	
26	56470987	1	BUSHING	
21	56473880	1	SHIM	
47	56473890	1	BRAKE DISC	
47	56474713	1	BRAKE DISC	
47	56474714	1	BRAKE DISC	
47	56475398	1	BRAKE DISC	
47	56475416	1	BRAKE DISC	
47	56475417	1	BRAKE DISC	
45	56475516	1	SPACER	
47	56475517	1	BRAKE DISC	

SERIAL

POWER TAKE-OFF

CODE REV

D.12.01.L50017_0



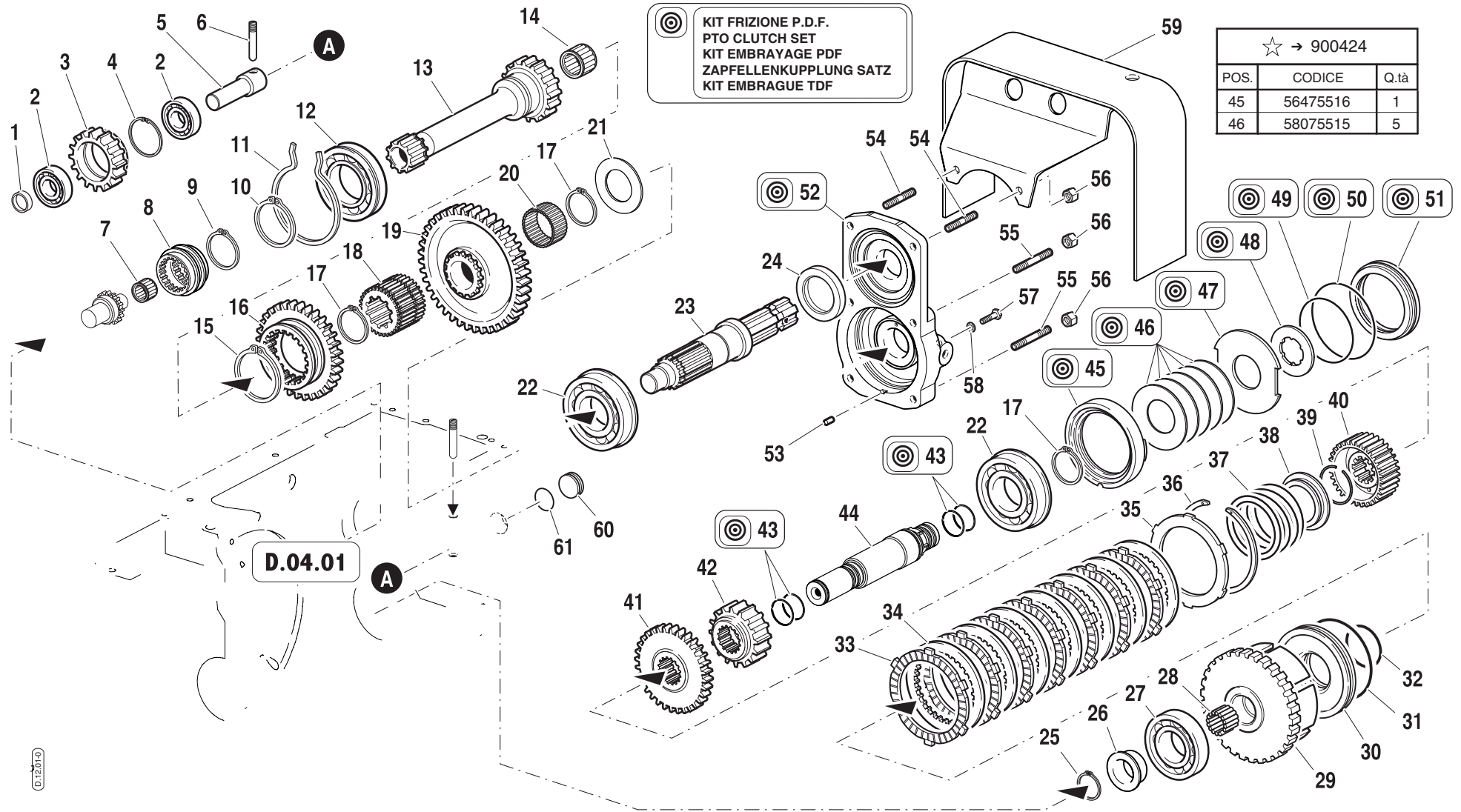
Pos.	Code	Q.ty	Description	Notes
47	56475518	1	CLUTCH DISC	
47	56475757	1	BRAKE DISC	
48	56475844	1	CLUTCH DISC	
36	58072389	1	CIRCLIP	
43	58072398	4	SEAL	
39	58072399	1	SAFETY RING	
37	58074092	1	RESTORING SPRING	
46	58075515	5	SPRING	
11	58170130	1	CIRCLIP	
31	58172400	1	GASKET	
32	58172402	1	GASKET	
33	58172447	7	DISC	
34	58172448	7	DISC	
59	59074993	1	P.T.O. PROTECTION	
44	59275513	1	SHAFT	
29	59374107	1	CLUTCH HOUSING	
52	59375435	1	COVER	
25	F0801241010	1	SEEGER RING	
17	F0801297050	3	SEEGER RING	
10	F0801353000	1	SEEGER RING	
15	F0801389000	1	SEEGER RING	
24	F0802228005	1	SEAL 48x65/10	
61	F0803199010	1	O-RING	
7	F0812599086	1	BUSHING HK1816	
2	F0812637000	2	BEARING 6204 (20x47x14)	
14	F0812689050	1	ROLLER CAGE K 25X33/20	
28	F0812736010	1	ROLLER CAGE K 30X35/20 H	
20	F0812878040	1	ROLLER CAGE K 40X45/27	
22	F0812918010	2	BEARING 6308-NR (40x90x23)	
12	F0812957010	1	BEARING 6210-N (50/90/20)	
56	F0814574000	6	NUT	
54	F0838154010	2	STUD BOLT M8X25 UNI 5911 8.8	
58	F0843641000	1	COPPER WASHER 8x14/1,5	
53	F0851226000	1	PIN 6X12 UNI 1707 CL:C20	

SERIAL

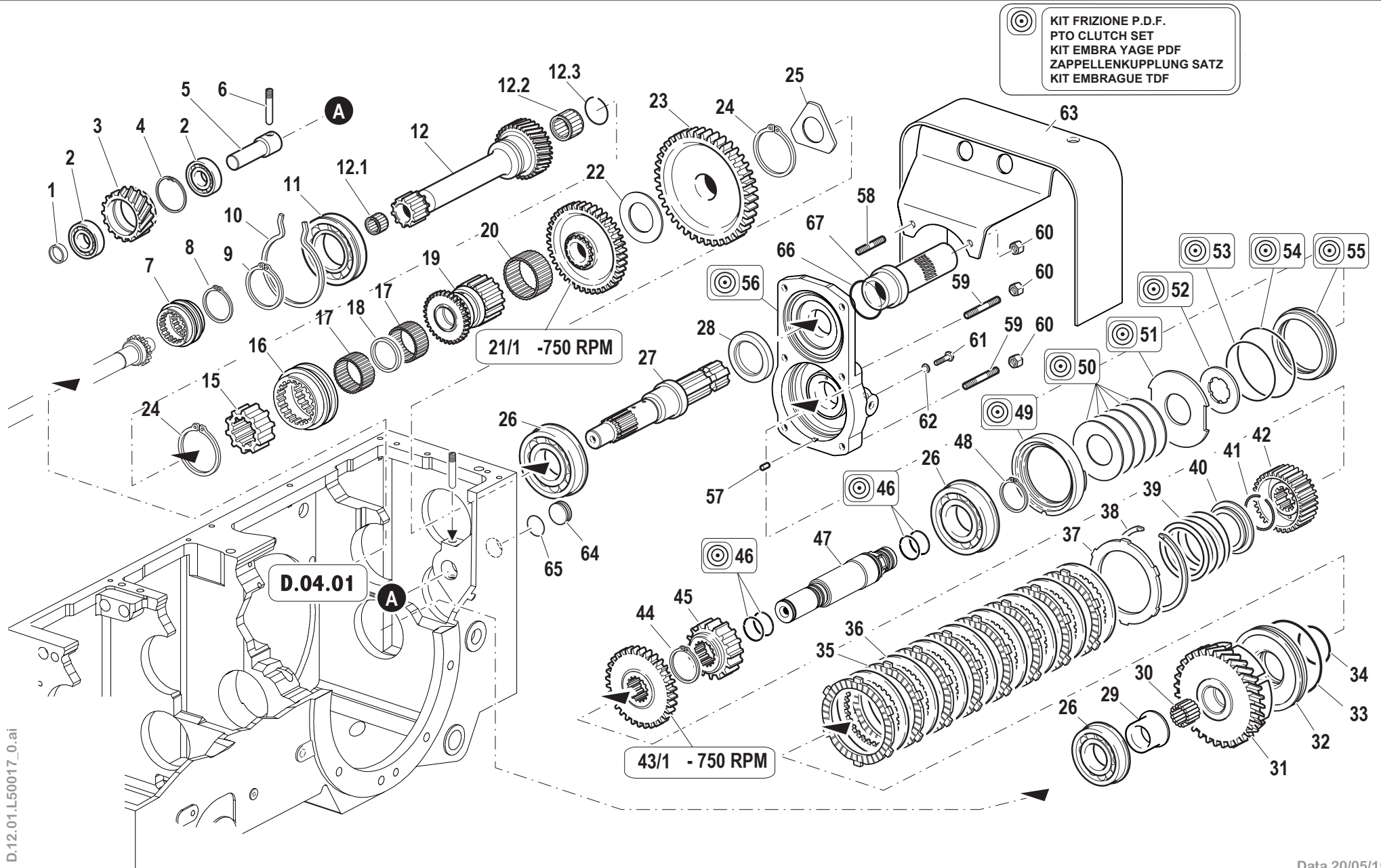
POWER TAKE-OFF

CODE REV

D.12.01.L50017_0



Pos.	Code	Q.ty	Description	Notes
57	F0862448100	1	SCREW M8X10 UNI 5740	




Pos.	Code	Q.ty	Description	Notes
60	31211080	6	NUT M8	
59	31312089	4	STUD BOLT M8x52x14x18	
4	35111047	1	SEEGER RING	
8	35121040	1	SEEGER RING	
53	38116317	1	RING	
54	38118720	1	O-RING	
37	52372292	1	RING	
7	52470298	1	SLEEVE	
45	52475551	1	GEAR	
43/01	52475552	1	GEAR	
23	52475554	1	DRIVEN GEAR	
31	52475562	1	CLUTCH HOUSING	
42	52475565	1	DISC HUB	
16	52476062	1	SHIFTING CLAW	
21-gen	52476063	1	DRIVEN GEAR	
19	52476067	1	SLEEVE	
15	52476068	1	SLEEVE	
3	52476868	1	INTERMEDIATE WHEEL	
32	53273886	1	PISTON	
55	53273891	1	PISTON	
64	56074313	1	PLUG	
18	56076074	1	SPACER	
1	56171572	1	SPACER	
5	56174108	1	GEAR PIN	
6	56370178	1	SCREW	
40	56372282	1	RING	
29	56470987	1	BUSHING	
51	56473890	1	BRAKE DISC	
51	56474713	1	BRAKE DISC	
51	56475398	1	BRAKE DISC	
51	56475416	1	BRAKE DISC	
51	56475417	1	BRAKE DISC	
49	56475516	1	SPACER	
51	56475517	1	BRAKE DISC	

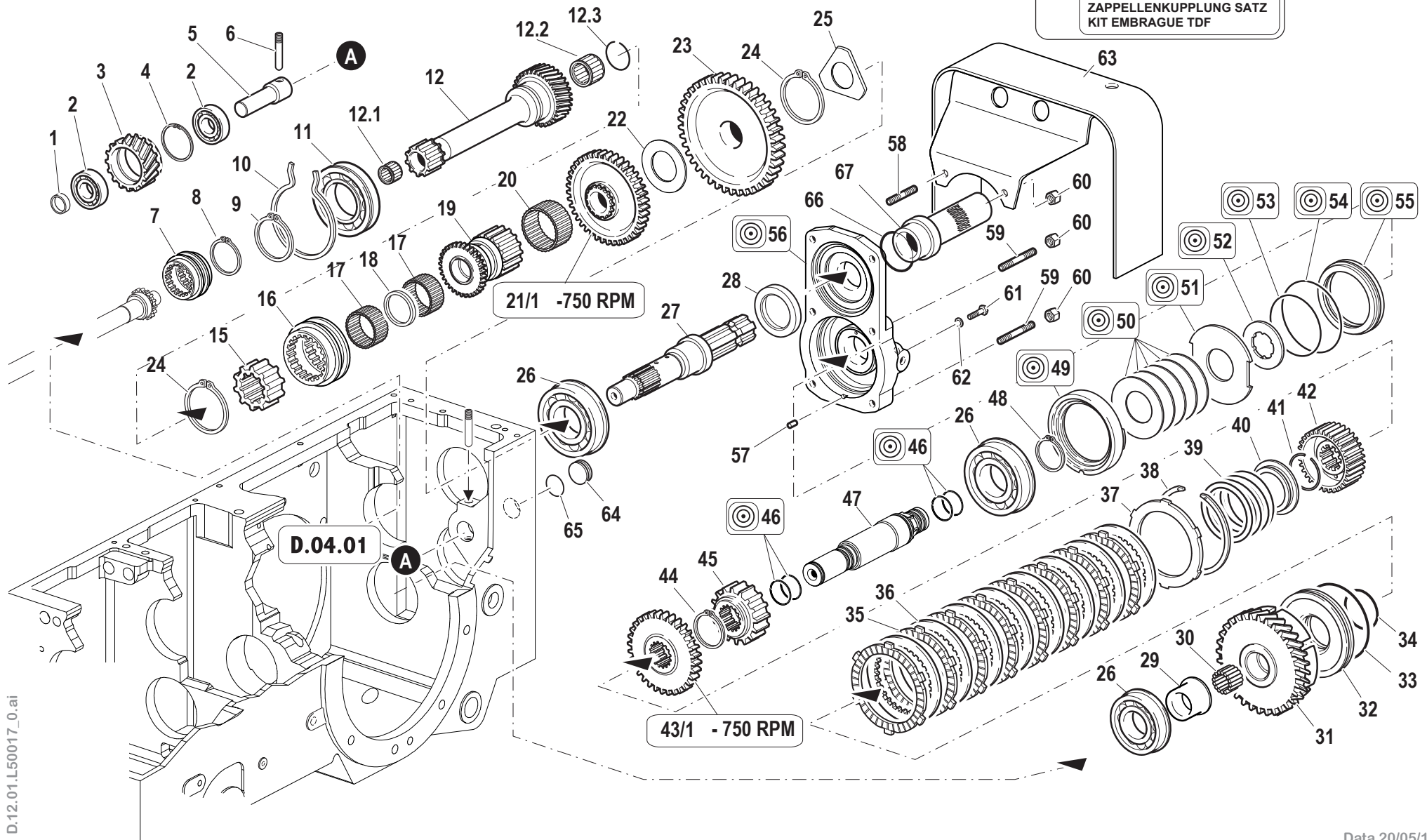
SERIAL

POWER TAKE-OFF

CODE REV

D.12.01.L50017_1


KIT FRIZIONE P.D.F.
PTO CLUTCH SET
KIT EMBRA YAGE PDF
ZAPPELENKUPPLUNG SATZ
KIT EMBRAGUE TDF



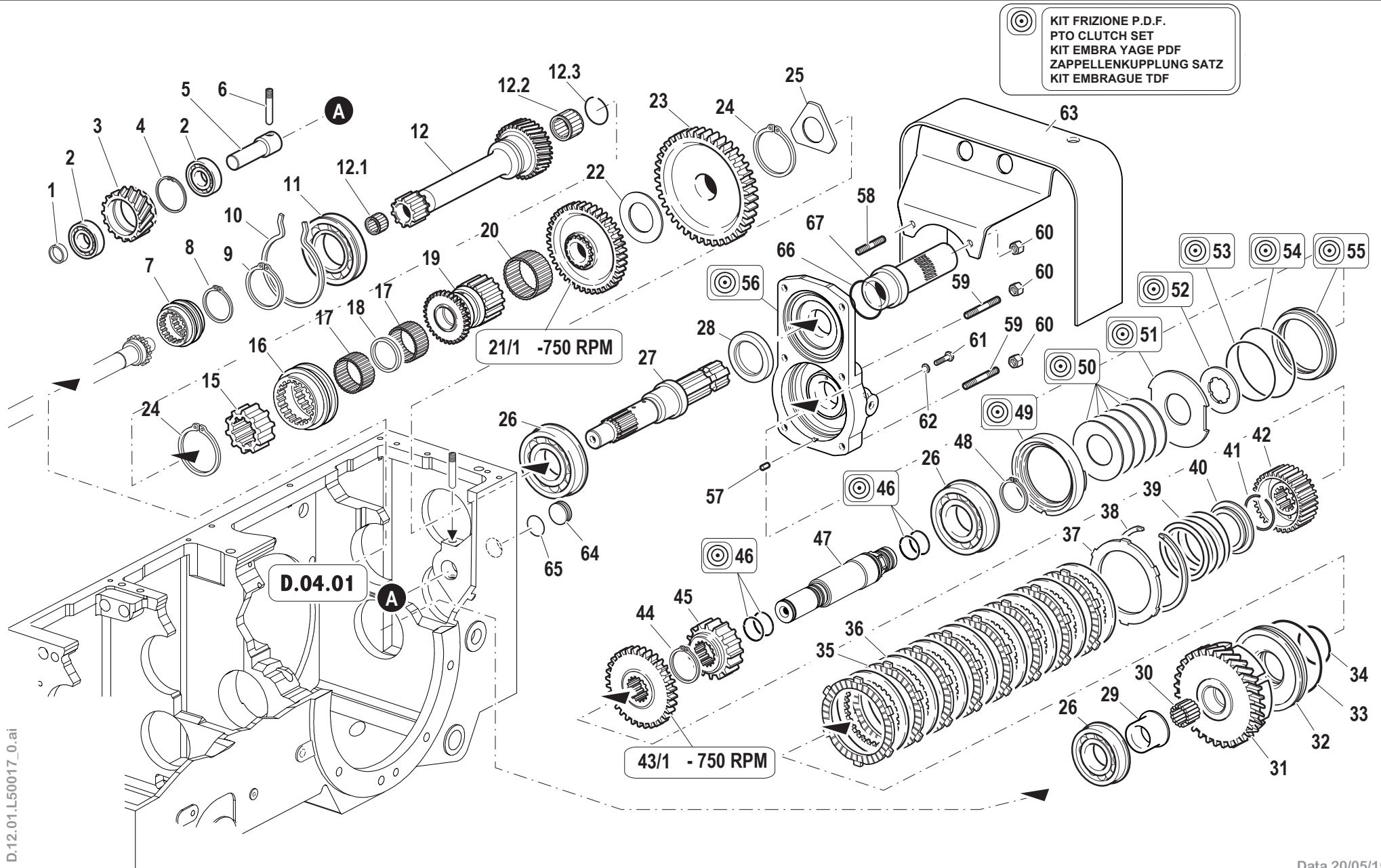
Pos.	Code	Q.ty	Description	Notes
22	56475568	1	SHIM	
51	56475757	1	BRAKE DISC	
52	56475844	1	CLUTCH DISC	
38	58072389	1	CIRCLIP	
46	58072398	4	SEAL	
41	58072399	1	SAFETY RING	
39	58074092	1	RESTORING SPRING	
50	58075515	5	SPRING	
10	58170130	1	CIRCLIP	
33	58172400	1	GASKET	
34	58172402	1	GASKET	
35	58172447	8	DISC	
36	58172448	8	DISC	
63	59074993	1	P.T.O. PROTECTION	
47	59276076	1	SHAFT	
56	59377433	1	COVER	
12	59900376	1	PTO SHAFT	
27	59978087	1	KIT	
24	F0801244080	2	SEEGER RING	
14	F0801248000	1	SAFETY RING	
44	F0801282050	1	SEEGER RING	
48	F0801297050	1	SEEGER RING	
9	F0801353000	1	SEEGER RING	
28	F0802228005	1	SEAL 48x65/10	
65	F0803199010	1	O-RING	
12,1	F0812599086	1	BUSHING HK1816	
2	F0812637000	2	BEARING 6204 (20x47x14)	
13	F0812689050	1	ROLLER CAGE K 25X33/20	
30	F0812736010	1	ROLLER CAGE K 30X35/20 H	
17	F0812784000	2	ROLLER CAGE K 32X37/27 H	
26	F0812899000	1	BEARING 6208-NR	
26	F0812918010	2	BEARING 6308-NR (40x90x23)	
20	F0812951300	1	ROLLER CAGE K 50X55/27 H	
11	F0812957010	1	BEARING 6210-N (50/90/20)	

SERIAL

POWER TAKE-OFF

CODE REV

D.12.01.L50017_1

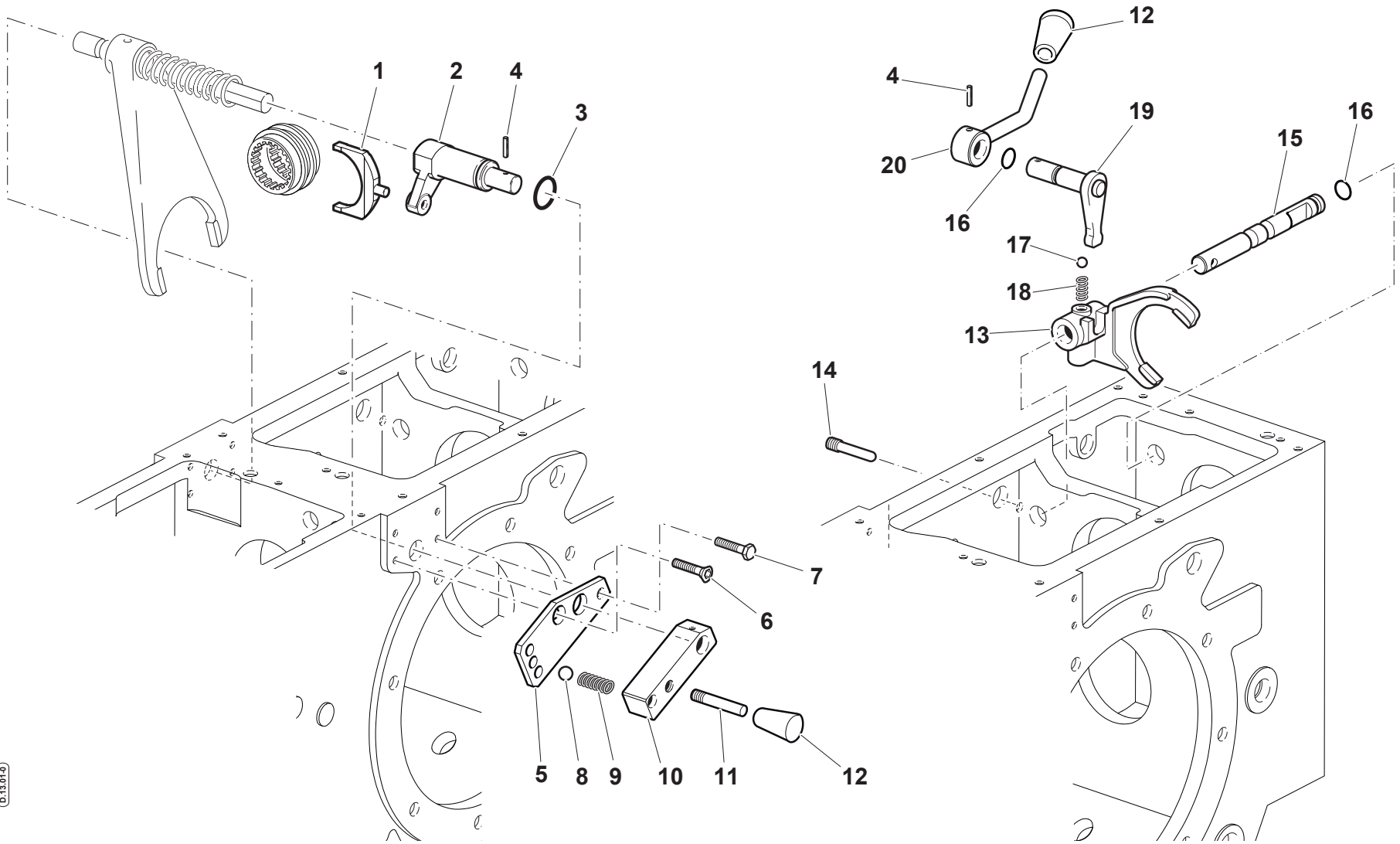


KIT FRIZIONE P.D.F.
 PTO CLUTCH SET
 KIT EMBRA YAGE PDF
 ZAPPELENKUPPLUNG SATZ
 KIT EMBRAGUE TDF

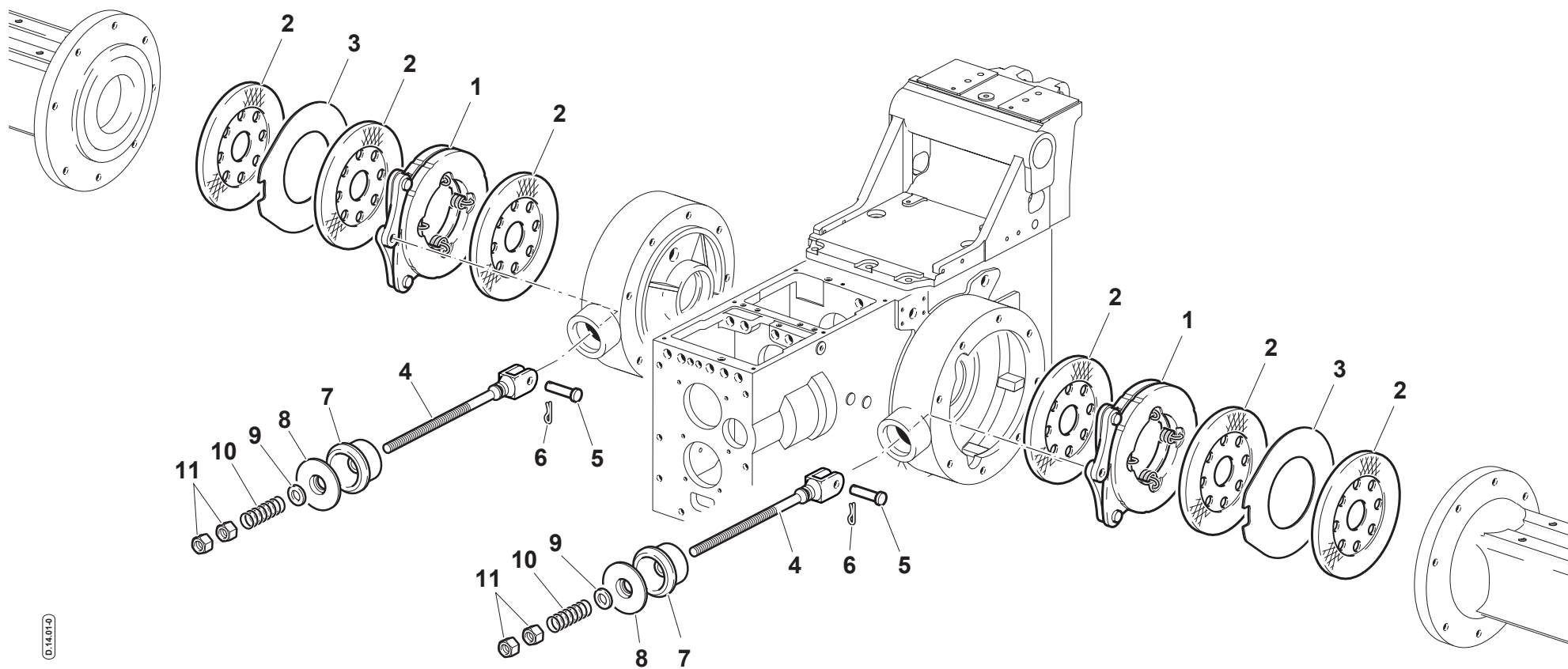
D.04.01

D.12.01.L50017_0.ai

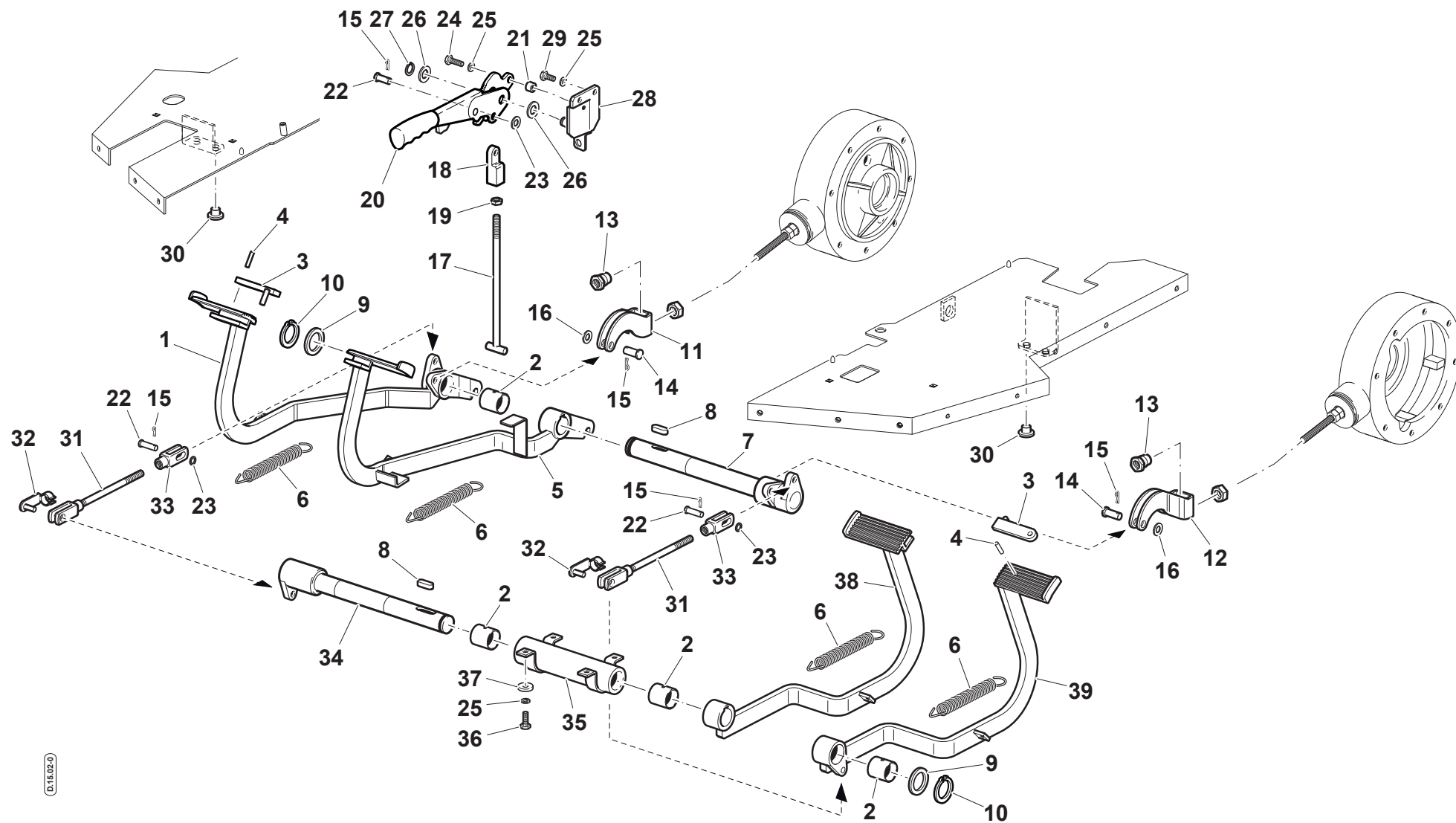
Pos.	Code	Q.ty	Description	Notes
58	F0838154010	2	STUD BOLT M8X25 UNI 5911 8.8	
62	F0843641000	1	COPPER WASHER 8x14/1,5	
57	F0851226000	1	PIN 6X12 UNI 1707 CL:C20	
61	F0862448100	1	SCREW M8X10 UNI 5740	
67	P470330000000	1	GUARD	
66	P470433000000	1	PROTECTIVE RING	



Pos.	Code	Q.ty	Description	Notes
7	31112150	1	SCREW TE M8X20 UNI 5739 8G	
6	31132566	1	SCREW TSVEI M8X20 UNI 5933	
4	34211054	2	ROLL PIN	
16	38111078	2	O-RING	
3	38112200	1	O-RING	
13	51274080	1	FORK	
2	52370152	1	LEVER	
11	56170447	1	TIP	
10	56174431	1	LEVER	
14	56370178	1	SCREW	
15	56374076	1	ROD	
5	56374430	1	PLATE	
1	56470299	1	SELECTOR FORK	
18	58070741	1	SPRING	
20	59072572	1	LEVER	
19	59074077	1	LEVER	
9	F0831047000	1	SPRING	
12	F0837534060	2	GRIP	
17	F0847434000	1	BALL	
8	F0847462000	1	BALL RB-11.112	



Pos.	Code	Q.ty	Description	Notes
9	31411130	2	WASHER 13x24	
7	55170047	2	BOOT	
8	56170043	2	COVER	
4	56370038	2	ROD	
5	56470231	2	PIN	
10	58070366	2	RETAINING SPRING	
1	58170045	2	BRAKE	
2	58170703	6	BRAKE DISC	
3	58171019	2	SHIM	
6	F0810510000	2	SPLIT PIN A2,0X20 UNI 1336	
11	F0814689020	4	NUT	



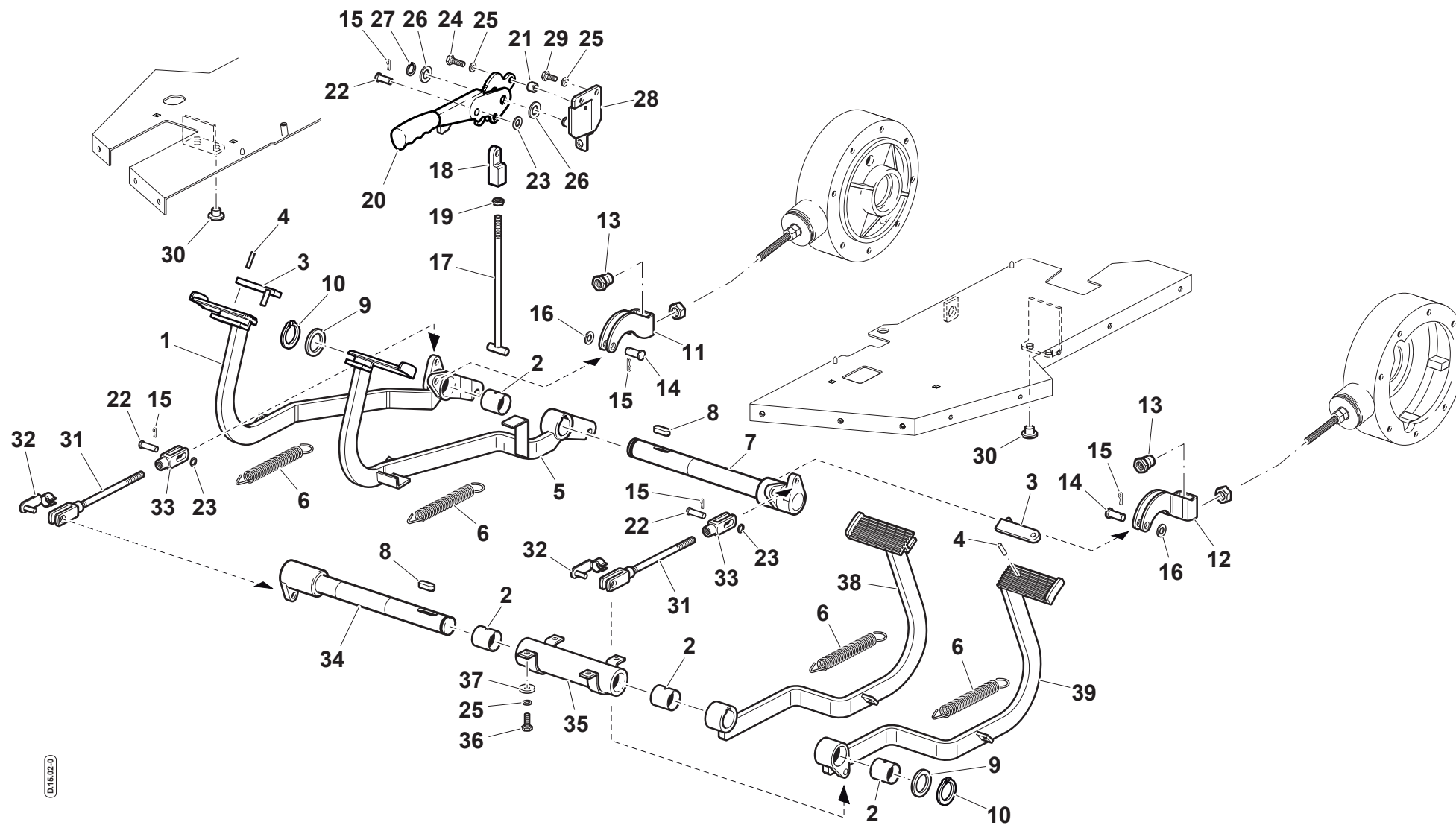
Pos.	Code	Q.ty	Description	Notes
36	31112146	4	SCREW TE M8X22 UNI 5739 8G	
29	31112147	2	SCREW TE M8X18 UNI 5739 8G	
24	31112151	1	SCREW TE M8X25 UNI 5739 8G	
23	31411105	3	WASHER 10,5x21	
16	31411130	2	WASHER 13x24	
26	31411150	2	WASHER 15x28	
8	34321066	2	KEY A10X8X30 UNI 6604	
33	50970418	2	FORK	
13	52373177	2	NUT	
17	52375215	1	HANDBRAKE TIE-ROD	
9	56170367	2	SHIM	
11	56170795	1	RIGHT YOKE	
12	56170796	1	LEFT BRACKET	
21	56171936	1	SPACER	
18	56371721	1	SMALL BLOCK	
22	56470365	3	PIN	
14	56470797	2	PIN	
6	58070790	4	RESTORING SPRING	
2	58170026	4	BUSHING	
20	58174726	1	HAND BRAKE	
35	59070051	1	PIPE	
5	59070323	1	BRAKE PEDAL	
1	59070325	1	BRAKE PEDAL	
7	59070333	1	SHAFT	
3	59070398	2	SMALL PLATE	
31	59073242	2	ROD	
28	59074459	1	RETAINER	
34	59074561	1	SHAFT	
38	59074701	1	BRAKE PEDAL	
39	59074702	1	BRAKE PEDAL	
27	F0801095000	1	SEEGER RING	
10	F0801241010	2	SEEGER RING	
15	F0810510000	5	SPLIT PIN A2,0X20 UNI 1336	
19	F0814627000	1	NUT M10	

SERIAL

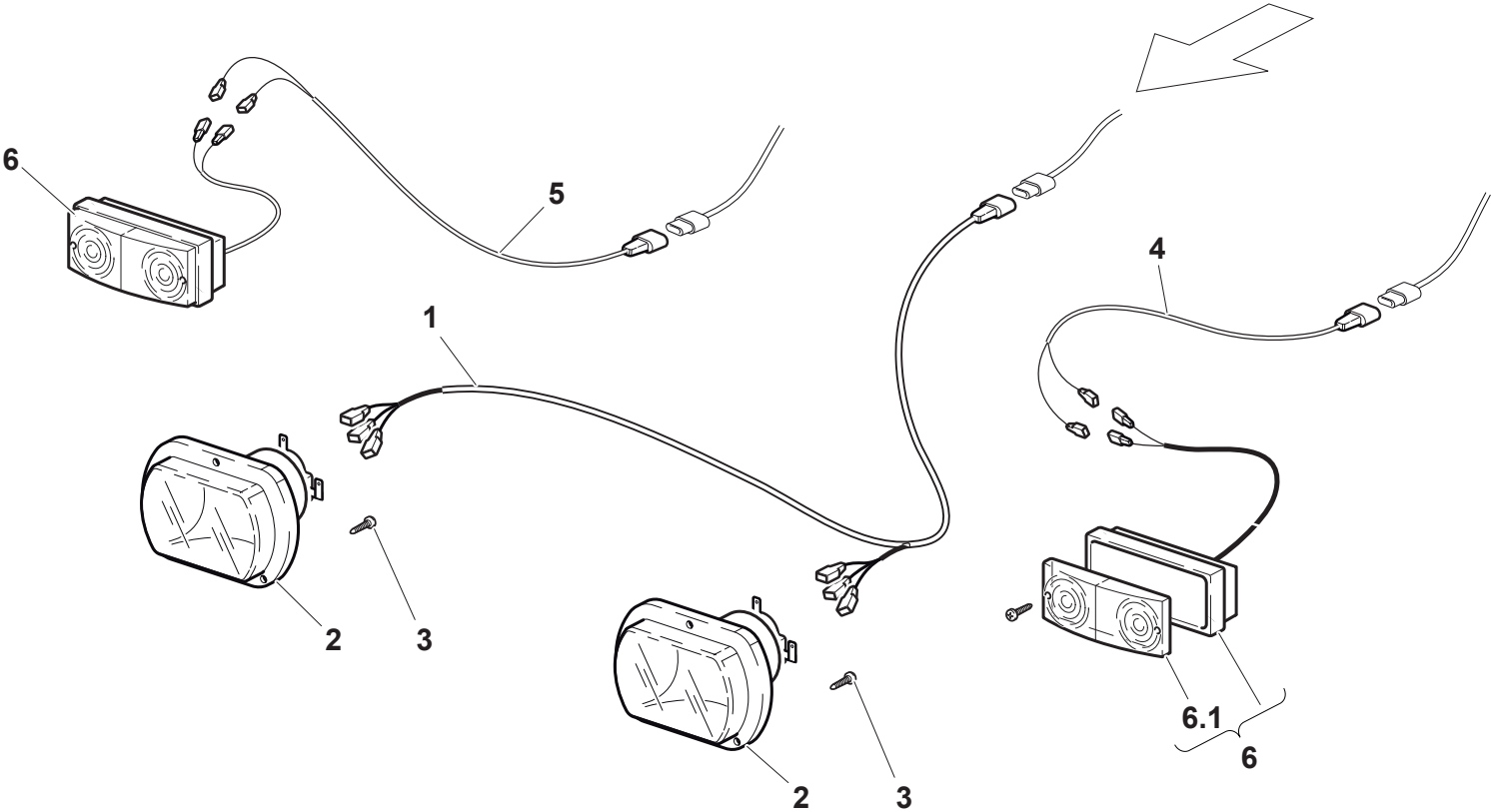
BRAKES CONTROLS

CODE REV

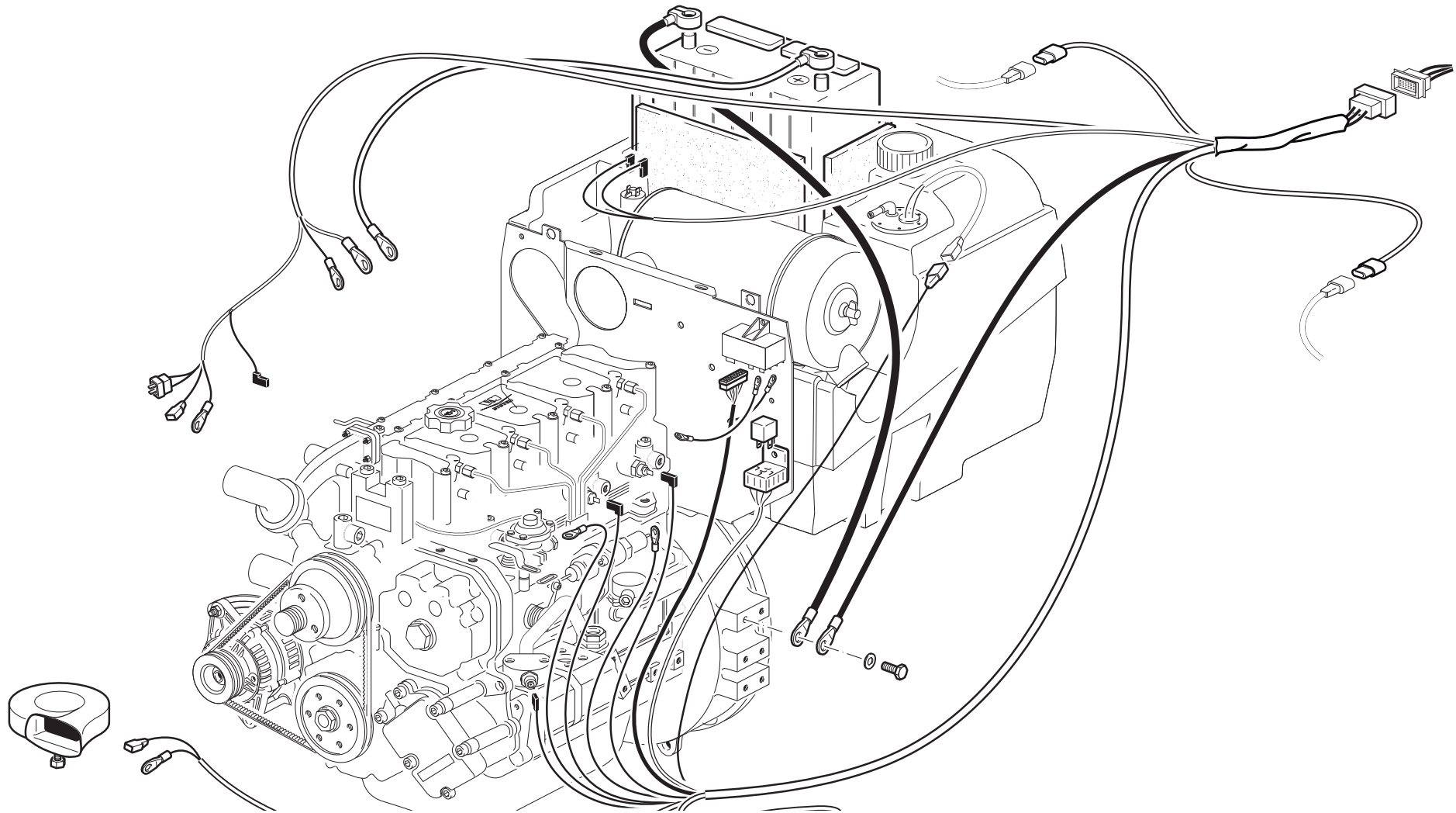
D.15.02.L50020_0



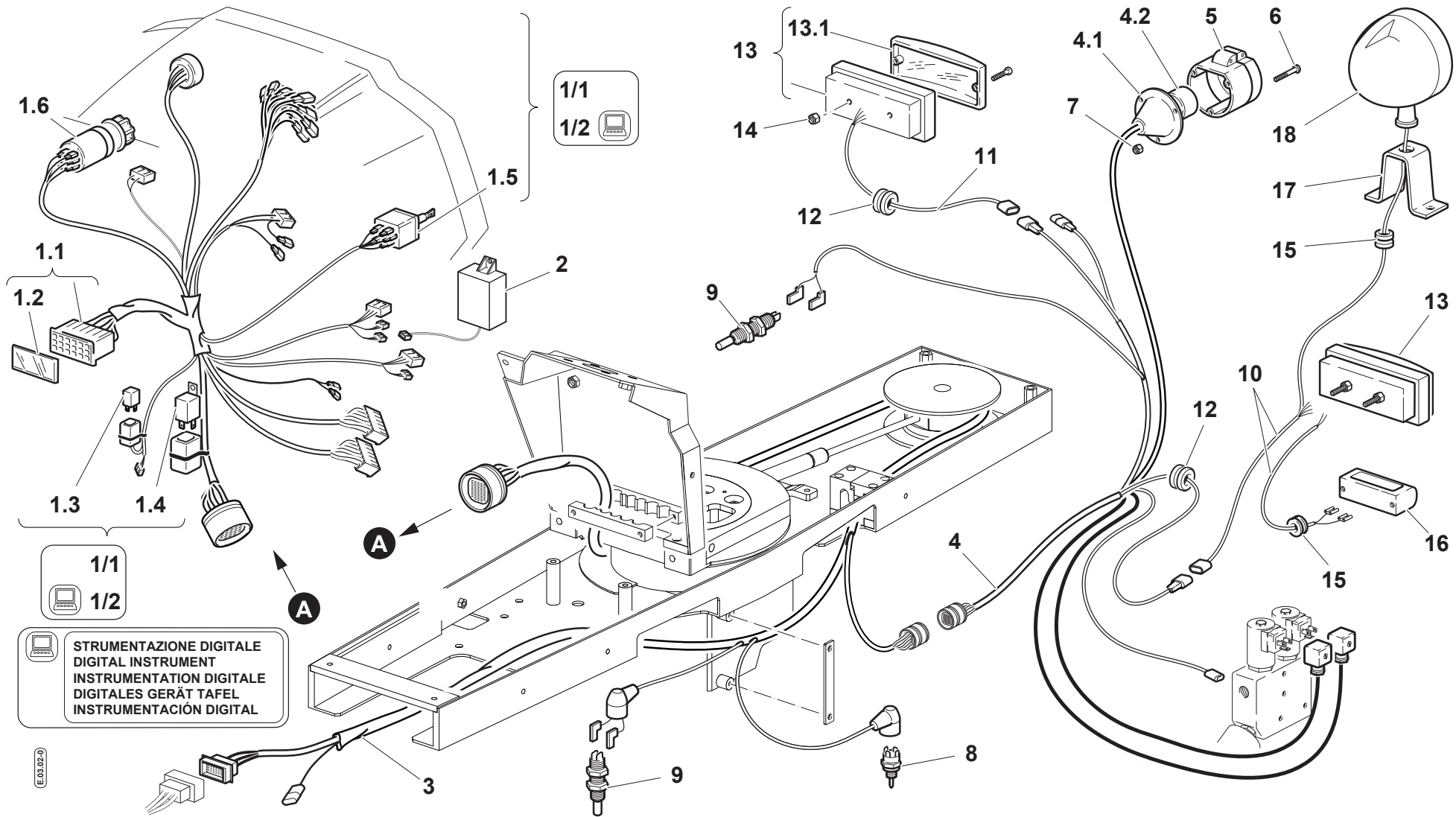
Pos.	Code	Q.ty	Description	Notes
30	F0822537050	4	BUFFER	
25	F0843643060	7	WASHER 8	
37	F0843711000	4	WASHER D.24x8,5/4	
4	F0851262000	2	PIN 6X26 DIN 7343 CL:C72	
32	F0860091020	2	PIN	



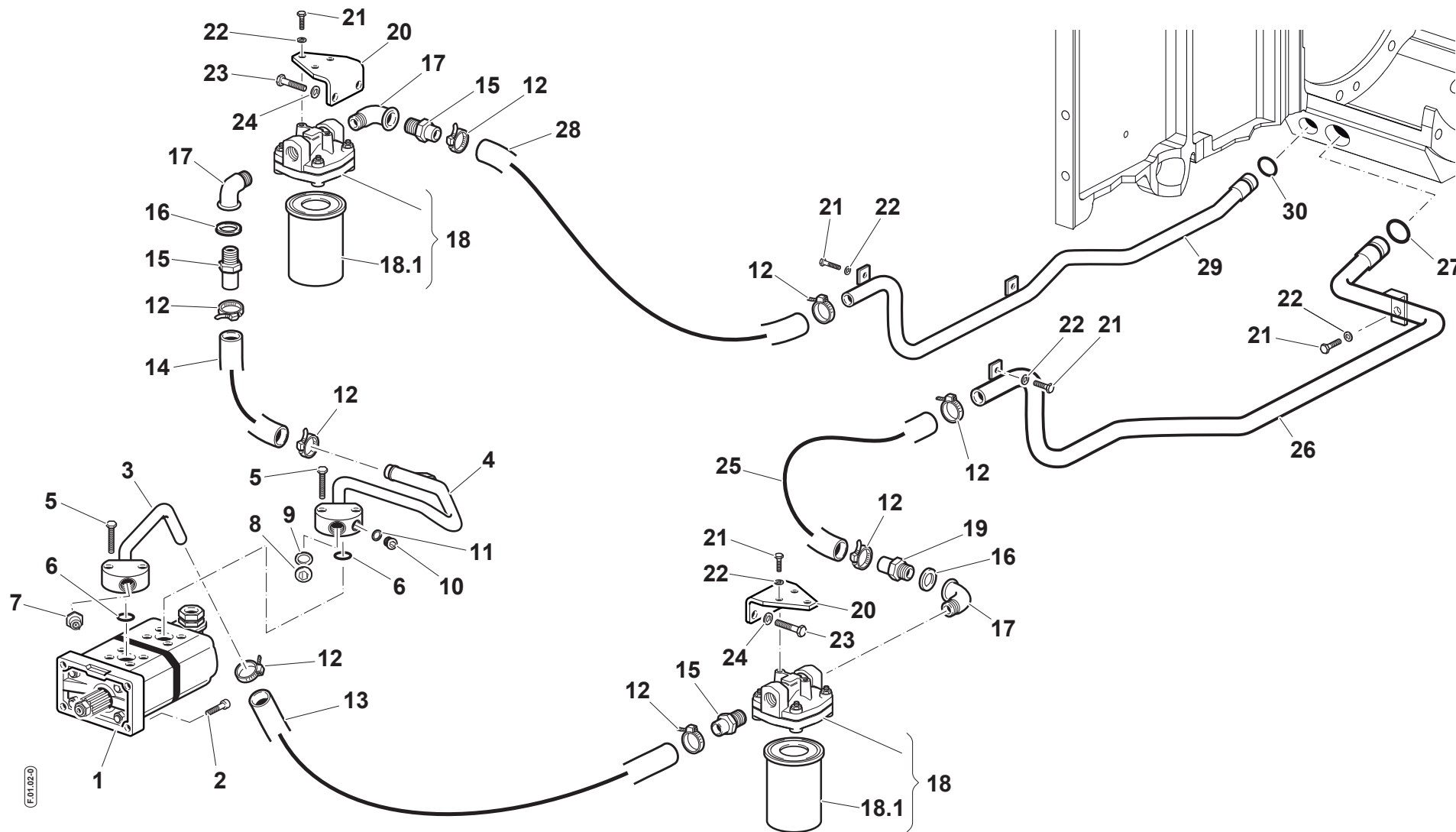
Pos.	Code	Q.ty	Description	Notes
4	58071307	1	CABLE	
5	58071308	1	CABLE	
1	58074904	1	CABLE	
2	F0825404050	2	HEADLIGHT	
6	F0825420500	2	LAMP	
6,1	F0825420560	2	GLASS	
3	F0861867050	6	SCREW M4,2X19 DIN 7981	



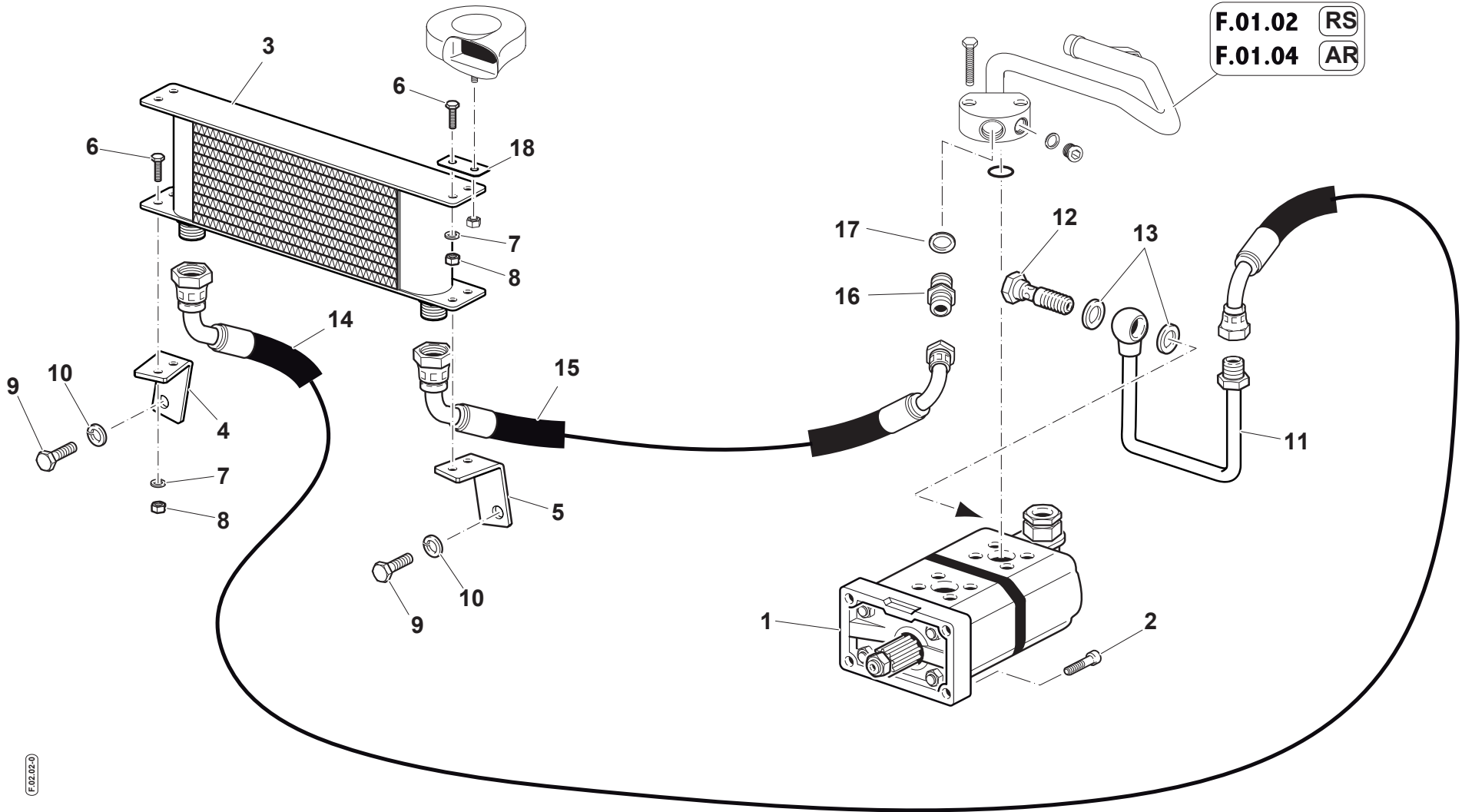
Pos.	Code	Q.ty	Description	Notes
5	31112210	1	SCREW TE M10X20 UNI 5739	
3	58071313	1	CABLE	
4	58072081	1	CABLE	
7	58074903	1	CABLE	
7,1	58170700	1	RELAY	
2	F0190018909	1	LINING	
8	F0825417000	1	HORN	
1	F0825480100	1	BATTERY	
6	F0843755000	1	WASHER 10	



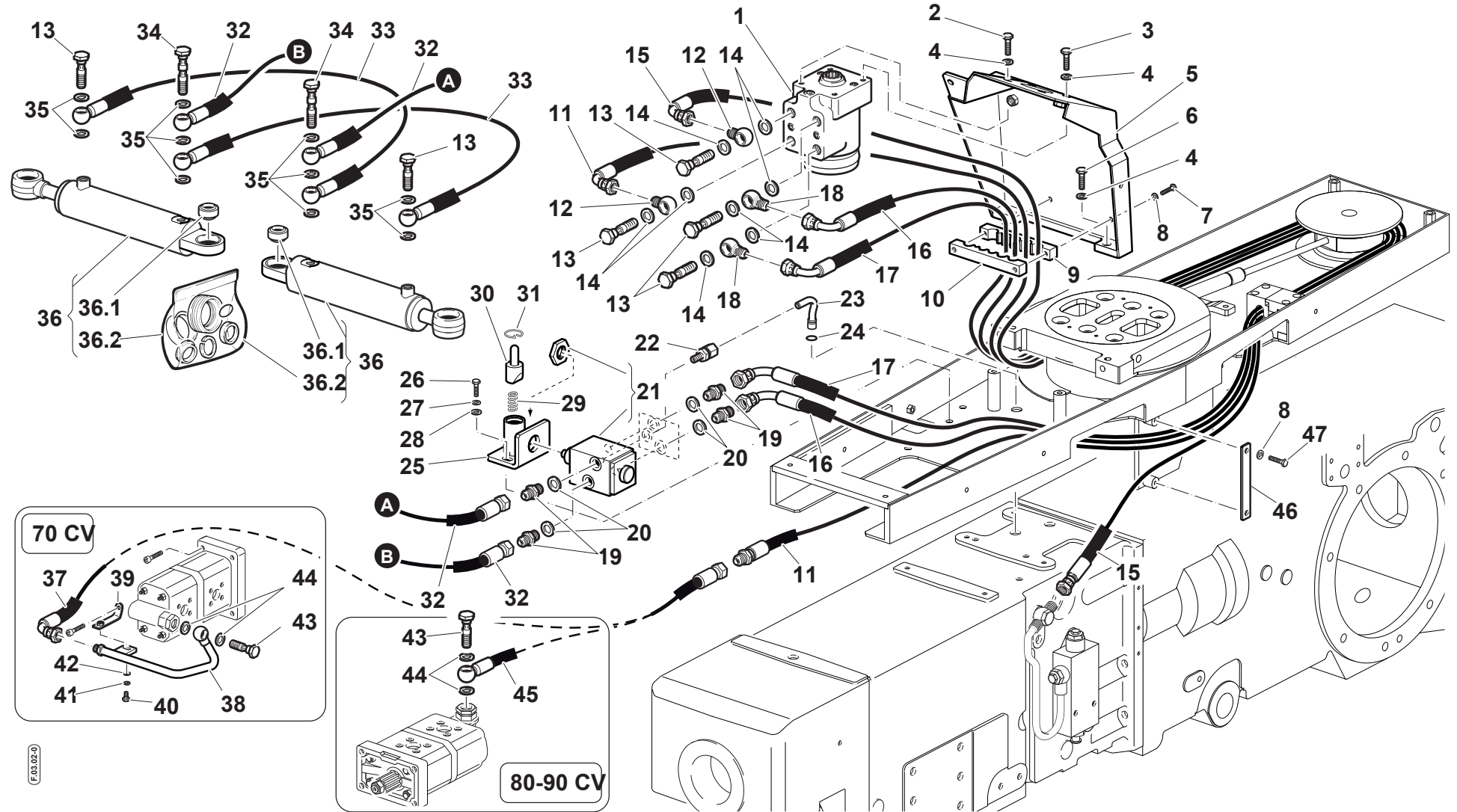
Pos.	Code	Q.ty	Description	Notes
16	30000506	1	LAMP	
11	58071305	1	CABLE	
10	58072568	1	CABLE	
1/01	58074901	1	CABLE	
3	58074906	1	CABLE	
4	58074908	1	CABLE	
1/02	58075384	1	CABLE	
1,1	58170453	1	FUSE BOX	
4,2	58170571	1	ATTACHMENT PLUG	
4,1	58170572	1	CAP	
12	58170947	2	CABLE GLAND	
1,2	58172267	1	COVER	
2	58175700	1	SWITCHING CONTROL UNIT	
1,3	59900242	1	RELAY	
17	F0190035152	1	SUPPORT	
7	F0814525000	1	NUT	
14	F0814529080	4	SELFLOCK NUT	
8	F0825117000	1	SWITCH	
1,4	F0825139000	1	FLASHER	
15	F0825414000	2	CABLE GLAND 7-15-18,5-2,5	
13	F0825420600	2	LAMP	
13,1	F0825420660		GLASS	
1,5	F0825436000	1	SWITCH	
1,6	F0825436003	1	SWITCH	
5	F0825438000	1	SOCKET	
9	F0825488000	2	SWITCH	
18	F0825493000	1	HEADLIGHT	
6	F0861941000	1	SCREW	



Pos.	Code	Q.ty	Description	Notes
8	30000777	1	PLUG 3/8 DIN 908	
21	31111151	7	SCREW TE M8X16 UNI 5739 8G	
5	31112155	4	SCREW	
23	31112210	4	SCREW TE M10X20 UNI 5739	
2	31152083	4	SCREW TCEI M8X30 UNI 5931	
6	38112200	2	O-RING	
30	38112507	1	O-RING	
15	56170350	3	PIPE FITTING	
19	56170351	1	PIPE FITTING	
20	56174725	2	OIL FILTER BRACKET	
13	58170352	1	FLEXIBLE HOSE	
25	58172806	1	FLEXIBLE HOSE	
14	58173505	1	FLEXIBLE HOSE	
28	58173506	1	FLEXIBLE HOSE	
1	58174774	1	LIFT PUMP	
18	58175014	2	FILTER	
7	58175122	1	DIGITAL INSTRUMENT	
4	59074745	1	SUCTION PIPE	
29	59074747	1	PIPE	
3	59074750	1	SUCTION PIPE	
26	59074752	1	PIPE	
28	F0803208020	1	O-RING	
12	F0817523010	8	CLAMP	
9	F0824110000	1	COPPER WASHER 3/8 GAS	
16	F0824185000	2	COPPER WASHER 26X34X1,5	
18,1	F0825718020	2	FILTER INSERT	
17	F0840563000	3	PIPE FITTING	
22	F0843643060	7	WASHER 8	
24	F0843755000	4	WASHER 10	
11	F0843907000	1	COPPER WASHER 13,66x19/1,5	
10	F0852538050	1	PLUG	



Pos.	Code	Q.ty	Description	Notes
6	31112090	5	SCREW TE M6X16 UNI 5739 8G	
9	31112210	2	SCREW TE M10X20 UNI 5739	
2	31152083	4	SCREW TCEI M8X30 UNI 5931	
8	31212060	5	NUT	
12	56172547	1	THREADED TERMINAL END	
4	56174987	1	RIGHT YOKE	
5	56174988	1	LEFT BRACKET	
18	56175294	1	BRACKET	
14	58075228	1	PRESSURE PIPE	
15	58075229	1	FLEXIBLE HOSE	
1	58174775	1	LIFT PUMP	
3	58175222	1	OIL EXCHANGER	
11	59075063	1	PRESSURE PIPE	
17	F0824110000	1	COPPER WASHER 3/8 GAS	
13	F0824113000	2	COPPER WASHER 18X24/1,5	
16	F0835024010	1	NIPPLE	
7	F0843570000	5	WASHER 6	
10	F0843755000	2	WASHER 10	



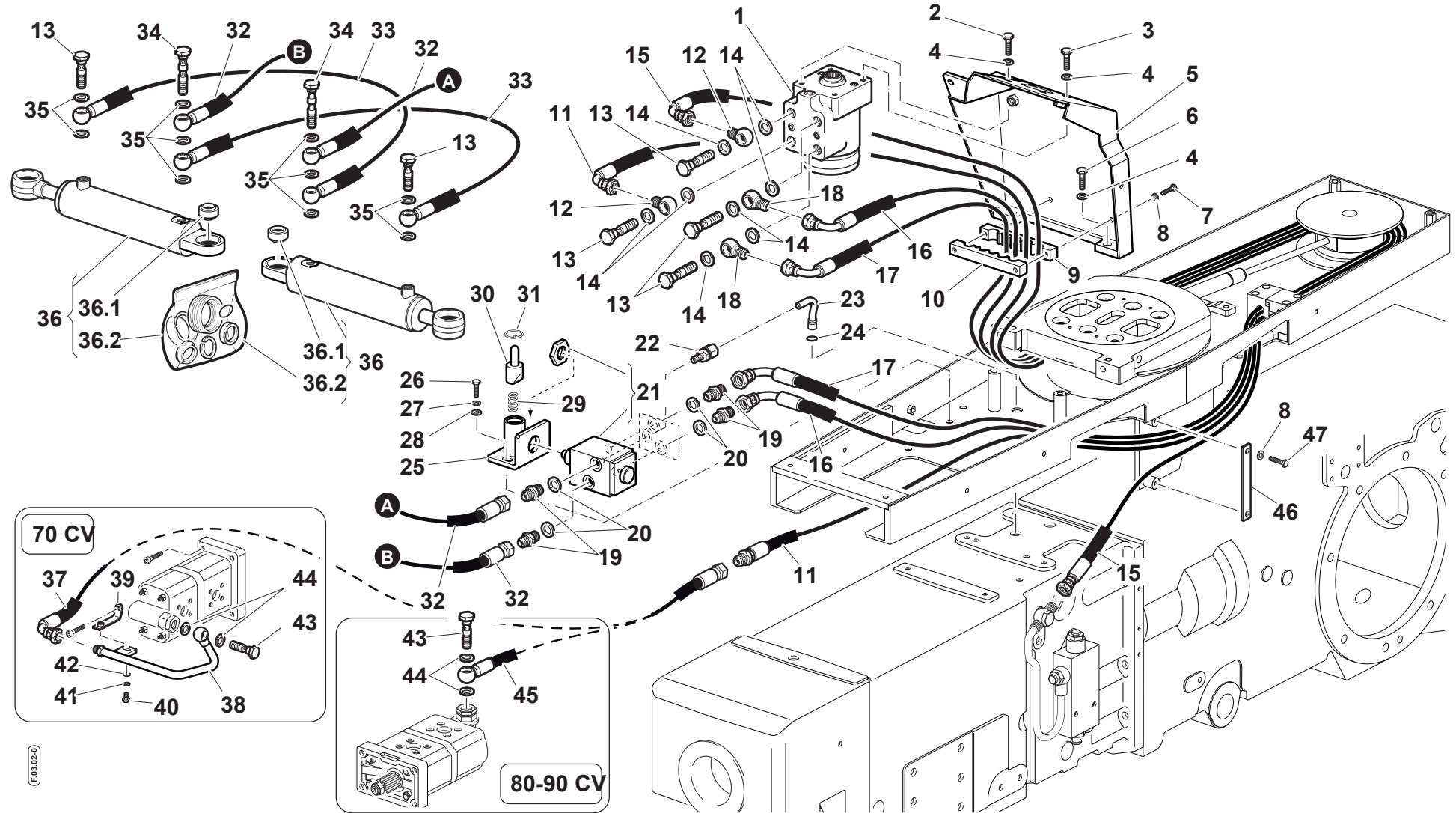
Pos.	Code	Q.ty	Description	Notes
34	30000211	2	HOLLOW SCREW M14X1,5	
7	31112086	2	SCREW TE M6X30 UNI 5737 8G	
40	31112090	1	SCREW TE M6X16 UNI 5739 8G	
26	31112150	2	SCREW TE M8X20 UNI 5739 8G	
2	31112210	1	SCREW TE M10X20 UNI 5739	
6	31112211	2	SCREW TE M10X30 UNI 5739	
3	31112219	3	SCREW TE M10X25 UNI 5739	
42	31411064	1	WASHER 6,4x12,5	
28	31411084	2	WASHER 8,4x17	
10	56174480	1	COMB	
9	56174481	1	COMB	
30	56174485	1	CURSOR	
46	56174494	1	SMALL PLATE	
33	58074733	2	CONNECTION PIPE	
32	58074734	2	FLEXIBLE HOSE	
15	58074738	1	RETURN PIPE	
45	58074739	1	PRESSURE PIPE	
17	58074740	1	FLEXIBLE HOSE	
11	58074836	1	FLEXIBLE HOSE	
16	58074891	1	FLEXIBLE HOSE	
37	58075248	1	FLEXIBLE HOSE	
1	58171160	1	HYDROSTEERING	
36,1	58171739	1	BALL JOINT	
22	58174547	1	NIPPLE	
36	58174710	2	STEERING CYLINDER	
5	59072974	1	SUPPORT	
25	59074482	1	PLATE	
23	59074546	1	EXHAUST	
38	59075224	1	PRESSURE PIPE	
39	59075225	1	FIXING BRACKET	
36,2	59900339	1	GASKET SET	
31	F0801163000	1	SEEGER RING	
24	F0803050000	1	O-RING	
44	F0824113000	2	COPPER WASHER 18X24/1,5	

SERIAL

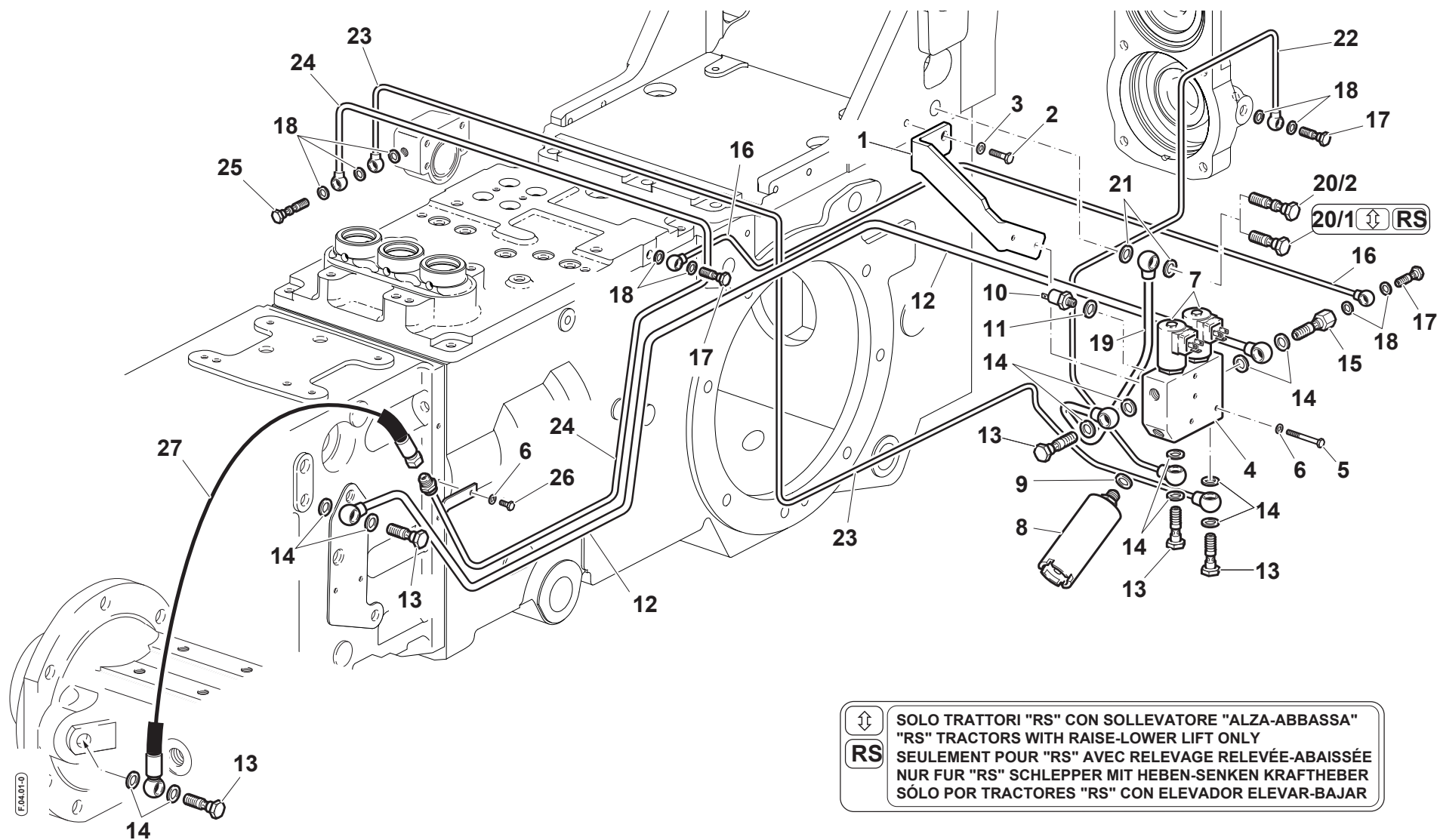
STEERING HYDR. SYSTEM

CODE REV

F.03.02.L50020_0



Pos.	Code	Q.ty	Description	Notes
14	F0824141000	8	COPPER WASHER 21x27/1,5	
29	F0831065000	1	SPRING	
19	F0835031010	4	NIPPLE	
18	F0835040030	2	PIPE FITTING	
12	F0842512000	2	PIPE FITTING	
43	F0843110010	1	THREADED TERMINAL END M18x1,5	
13	F0843116000	6	PIPE FITTING 1/2	
41	F0843570000	1	WASHER 6	
27	F0843643060	2	WASHER 8	
8	F0843643060	4	WASHER 8	
4	F0843755000	6	WASHER 10	
20	F0843907000	4	COPPER WASHER 13,66x19/1,5	
35	F0843948000	10	COPPER WASHER 14,0x20/1,5	
47	F0862129000	2	SCREW M6X18 UNI 5739 8.8	
21	P227332000000	1	D.A. VALVE	

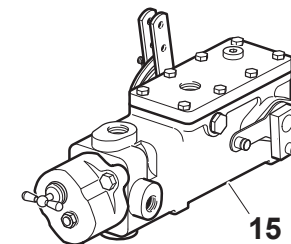
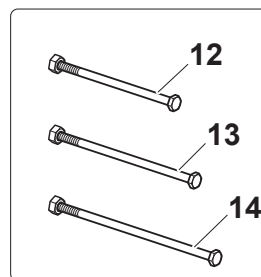
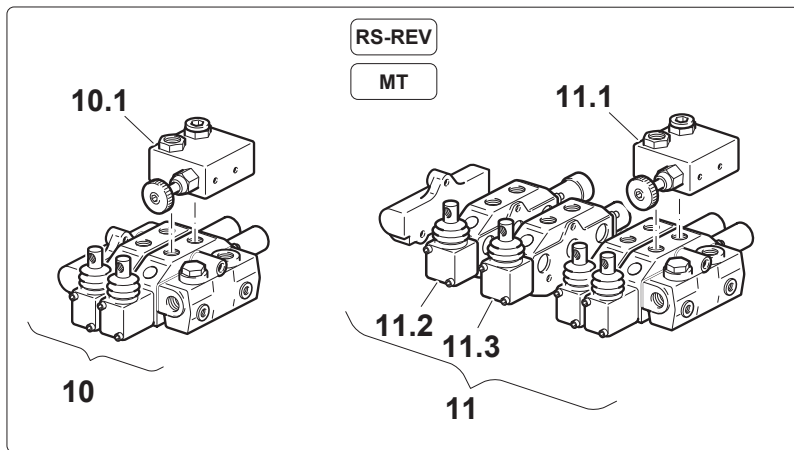
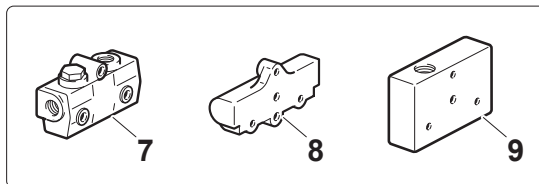
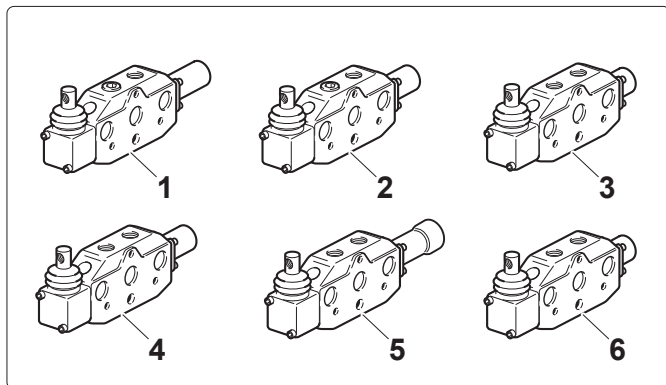


↕	SOLO TRATTORI "RS" CON SOLLEVATORE "ALZA-ABBASSA"
	"RS" TRACTORS WITH RAISE-LOWER LIFT ONLY
RS	SEULEMENT POUR "RS" AVEC RELEVAGE RELEVÉE-ABAISSÉE
	NUR FÜR "RS" SCHLEPPER MIT HEBEN-SENKEN KRAFTHEBER
	SÓLO POR TRACTORES "RS" CON ELEVADOR ELEVAR-BAJAR

Pos.	Code	Q.ty	Description	Notes
26	31111090	1	SCREW	
2	31112150	2	SCREW TE M8X20 UNI 5739 8G	
15	56172072	1	PIPE FITTING	
4	56172749	1	SMALL BLOCK	
1	56174665	1	SUPPORT	
27	58074736	1	FLEXIBLE HOSE	
7	58172463	2	ELECTRO VALVE	
20-feb	58172589	1	THREADED TERMINAL END	
10	58173399	1	PRESSURE SWITCH	
25	58174732	1	HOLLOW SCREW	
16	59074640	1	PIPE	
12	59074742	1	PRESSURE PIPE	
22	59074743	1	PRESSURE PIPE	
19	59074744	1	EXHAUST	
23	59074748	1	PRESSURE PIPE	
24	59074749	1	PRESSURE PIPE	
8	59271011	1	UNIT	
21	F0824110000	2	COPPER WASHER 3/8 GAS	
17	F0843102000	3	THREADED TERMINAL END	
20-gen	F0843109020	1	PIPE FITTING	
6	F0843570000	3	WASHER 6	
3	F0843643060	2	WASHER 8	
18	F0843771000	9	COPPER WASHER 10,0x16/1	
11	F0843841000	1	COPPER WASHER 12,0x18/1,5	
14	F0843907000	10	COPPER WASHER 13,66x19/1,5	
9	F0843948000	1	COPPER WASHER 14,0x20/1,5	
5	F0862345000	2	SCREW M6X40 UNI 5737	
13	P988438000001	5	HOLLOW SCREW 1/4	



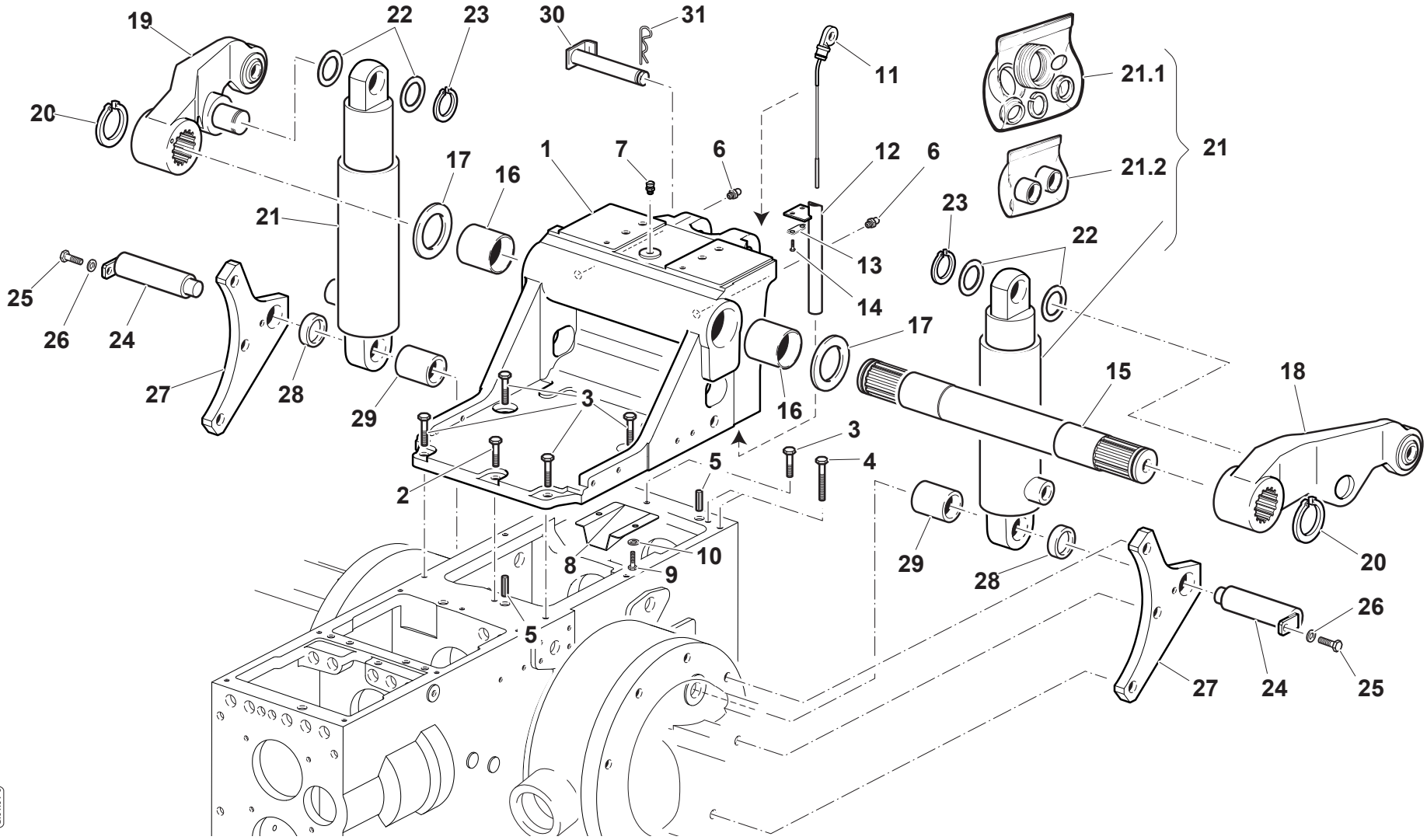
- VEDI TAVOLE GRUPPI...
 - SEE TABLES OF GROUPS...
 - VOIR TABLES GROUPES...
 - SIEHE GRUPPETAFFEL...
 - MIRAR TABLAS GRUPOS...



VEDI TAVOLE GRUPPO...
 SEE TABLES OF GROUP...
 VOIR TABLES GROUPE...
 SIEHE GRUPPETAFFEL...
 MIRAR TABLAS GRUPO...



Pos.	Code	Q.ty	Description	Notes
10	58171925	1	FLOATING DEVICE GROUP	
1	58172011	1	S.A. VALVE	
3	58172012	1	D.A. VALVE	
4	58172013	1	D.A. VALVE	
11,2	58172014	1	D.A. VALVE	
5	58172014	1	D.A. VALVE	
12	58172016	1	ROD	
13	58172017	1	ROD	
14	58172018	1	ROD	
11,3	58172240	1	D.A. VALVE	
6	58172240	1	D.A. VALVE	
7	58172304	1	HEAD	
8	58172489	1	COVER	
2	58172707	1	S.A. VALVE	
9	58173361	1	COVER	
11	58174974	1	FLOATING DEVICE GROUP	
15	58175191	1	DISTRIBUTOR	
10,1	59900230	1	VALVE	
11,1	59900230	1	VALVE	



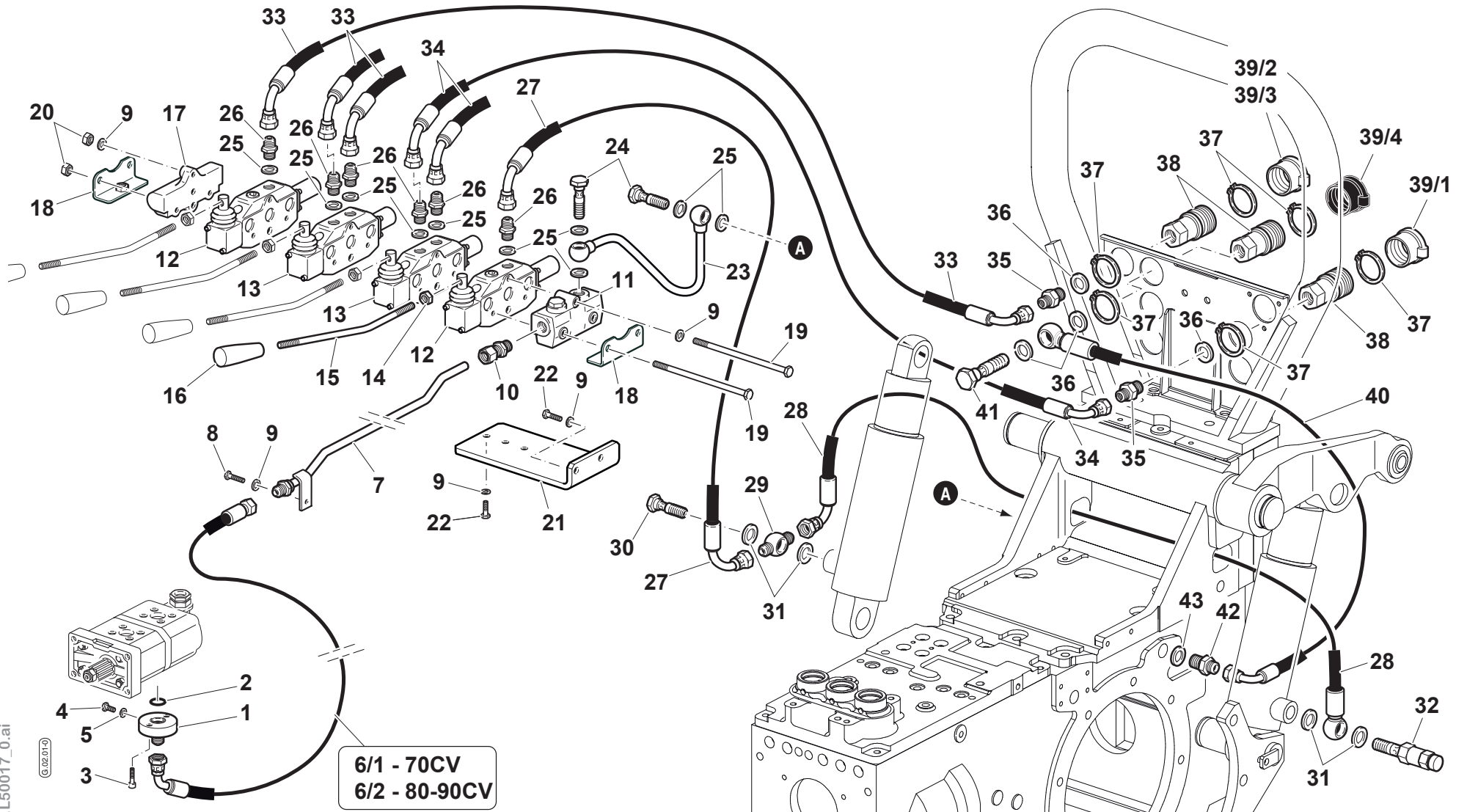
Pos.	Code	Q.ty	Description	Notes
14	31112082	2	SCREW TE M6X12 UNI 5739 8G	
9	31112149	2	SCREW TE M8X12 UNI 5739 8G	
25	31112150	2	SCREW TE M8X20 UNI 5739 8G	
3	31112211	5	SCREW TE M10X30 UNI 5739	
2	31112219	1	SCREW TE M10X25 UNI 5739	
1	51174315	1	SUPPORT	
13	52071702	1	CLAMPING PLATE	
27	56170283	2	BRACKET	
29	56170285	2	SPACER	
28	56170286	2	SPACER	
8	56173638	1	GUARD	
22	56370282	4	SHIM	
24	56370287	2	HINGE PIN	
17	56370288	2	SHIM	
5	56570016	2	CYLINDRICAL PLUG	
15	56570284	1	SHAFT	
7	58075603	1	PLUG	
21	58170245	2	LIFTING CYLINDER	
16	58170291	2	BUSHING	
21,2	58171536	1	BUSHINGS KIT	
21,1	58171537	1	GASKET SET	
11	58174581	1	OIL LEVEL ROD	
18	59070289	1	LIFTING ARM	
19	59070290	1	RIGHT ARM	
30	59073189	1	CONNECTING BOLT	
12	59074443	1	PIPE	
23	F0801241010	2	SEEGER RING	
20	F0801331050	2	SEEGER RING	
6	F0826056000	2	LUBRICATOR M10 UNI 7663A	
10	F0843643060	2	WASHER 8	
26	F0843643060	2	WASHER 8	
31	F0851486000	1	SPLIT PIN	
4	F0863429000	4	SCREW M10X45 UNI 5737	

SERIAL

RAISE/LOWER LIFT

CODE REV

L.01.01.L50017_0



L.02.01.L50017_0.ai

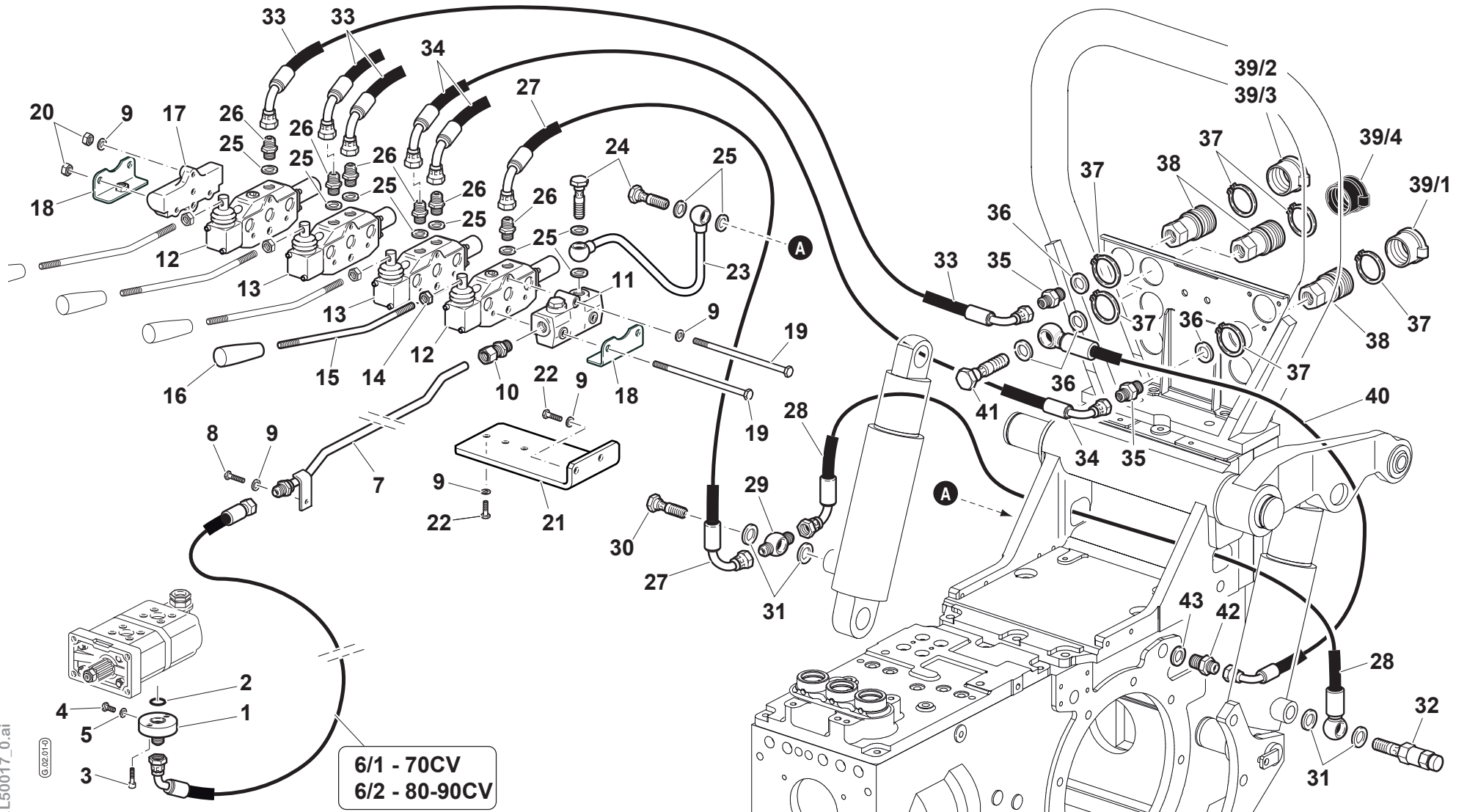
Pos.	Code	Q.ty	Description	Notes
8	31111151	1	SCREW TE M8X16 UNI 5739 8G	
22	31112150	4	SCREW TE M8X20 UNI 5739 8G	
3	31152057	2	SCREW	
20	31211080	3	NUT M8	
14	31211100	4	NUT M10	
15	56170964	4	COMMAND LEVER	
21	56174202	1	RETAINER	
27	58070511	1	FLEXIBLE HOSE	
28	58070513	1	FLEXIBLE HOSE	
6/02	58073147	1	FLEXIBLE HOSE	
33	58075080	3	FLEXIBLE HOSE	
40	58075082	1	FLEXIBLE HOSE	
34	58075087	2	FLEXIBLE HOSE	
6/01	58075247	1	FLEXIBLE HOSE	
29	58170512	1	EYELET	
12	58172011	2	S.A. VALVE	
13	58172013	2	D.A. VALVE	
10	58172015	1	PIPE FITTING	
19	58172018	3	ROD	
32	58172120	1	VALVE	
11	58172304	1	HEAD	
17	58172489	1	COVER	
42	58175083	1	NIPPLE	
18	59072057	2	FIXING BRACKET	
7	59074754	1	PRESSURE PIPE	
23	59074759	1	OIL PIPE	
37	F0801297000	12	RING	
2	F0803185000	1	O-RING	
5	F0824022000	1	SPECIAL GASKET D.8,4X12/1	
25	F0824110000	10	COPPER WASHER 3/8 GAS	
31	F0824113000	4	COPPER WASHER 18X24/1,5	
36	F0824141000	7	COPPER WASHER 21x27/1,5	
1	F0825809000	1	PRESSURE PIPE CONNECTOR	
38	F0825980030	6	COUPLING	

SERIAL

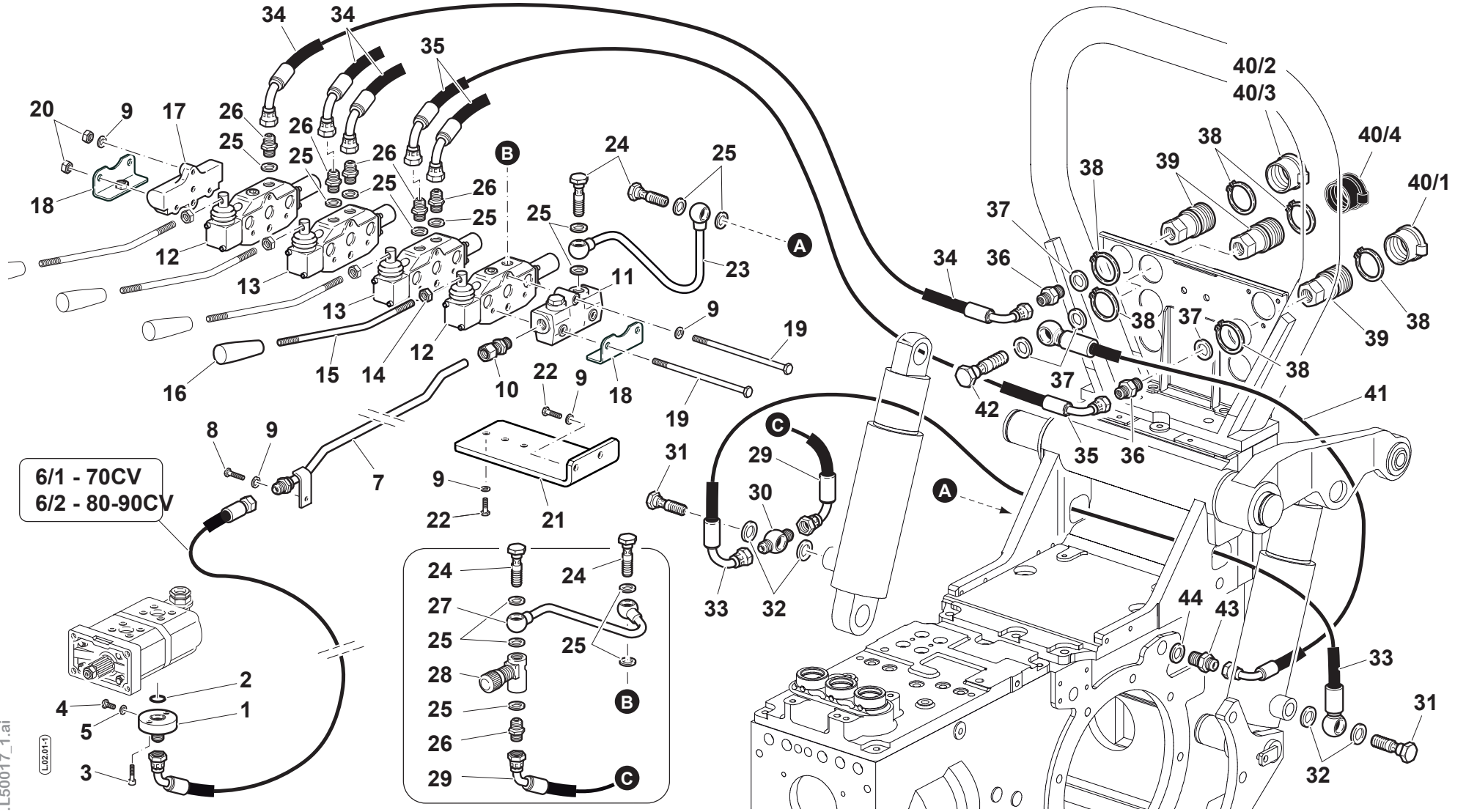
FREE DISCHARGE CONTROL VALVES VERSION

CODE REV

L.02.01.L50017_0



Pos.	Code	Q.ty	Description	Notes
26	F0835024010	6	NIPPLE	
35	F0835037000	5	NIPPLE	
16	F0837534010	4	GRIP	
24	F0843109020	2	PIPE FITTING	
30	F0843110010	1	THREADED TERMINAL END M18x1,5	
41	F0843116000	1	PIPE FITTING 1/2	
9	F0843643060	7	WASHER 8	
43	F0844273090	1	GASKET 22X28X1,5 CU 99,5	
39/01	F0852550010	2	GUARD	
39/02	F0852550020	2	GUARD	
39/03	F0852550030	1	GUARD	
39/04	F0852550040	1	GUARD	
4	F0862462010	1	SCREW	



6/1 - 70CV
6/2 - 80-90CV

L.02.01.L50017_1.ai

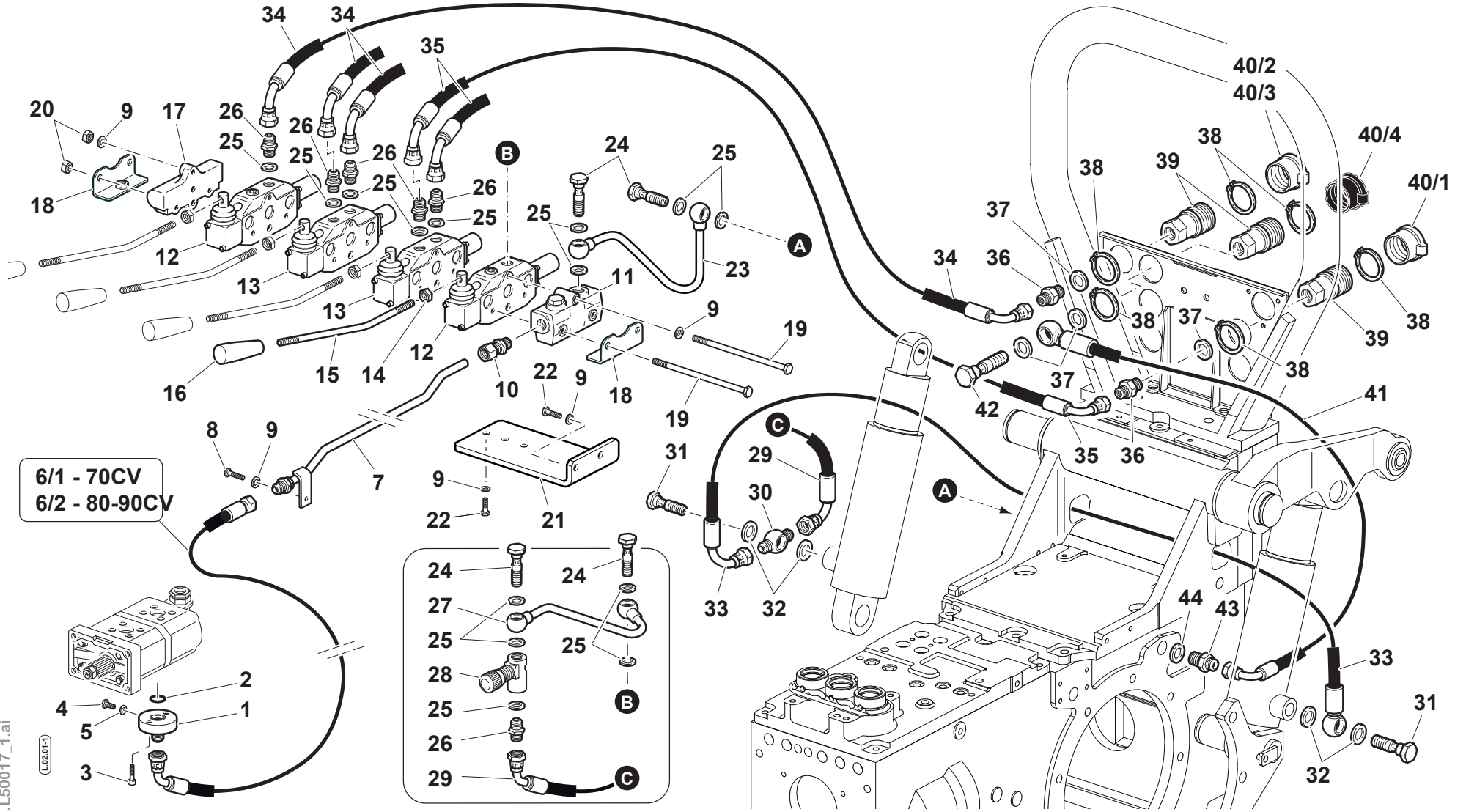
Pos.	Code	Q.ty	Description	Notes
8	31111151	1	SCREW TE M8X16 UNI 5739 8G	
22	31112150	4	SCREW TE M8X20 UNI 5739 8G	
3	31152057	2	SCREW	
20	31211080	3	NUT M8	
14	31211100	4	NUT M10	
15	56170964	4	COMMAND LEVER	
21	56174202	1	RETAINER	
33	58070513	1	FLEXIBLE HOSE	
6/02	58073147	1	FLEXIBLE HOSE	
34	58075080	3	FLEXIBLE HOSE	
41	58075082	1	FLEXIBLE HOSE	
35	58075087	2	FLEXIBLE HOSE	
29	58075135	1	FLEXIBLE HOSE	
6/01	58075247	1	FLEXIBLE HOSE	
30	58170512	1	EYELET	
12	58172011	2	S.A. VALVE	
13	58172013	2	D.A. VALVE	
10	58172015	1	PIPE FITTING	
19	58172018	3	ROD	
11	58172304	1	HEAD	
17	58172489	1	COVER	
43	58175083	1	NIPPLE	
18	59072057	2	FIXING BRACKET	
7	59074754	1	PRESSURE PIPE	
23	59074759	1	OIL PIPE	
27	59075359	1	PRESSURE PIPE	
38	F0801297000	12	RING	
2	F0803185000	1	O-RING	
5	F0824022000	1	SPECIAL GASKET D.8,4X12/1	
25	F0824110000	14	COPPER WASHER 3/8 GAS	
32	F0824113000	4	COPPER WASHER 18X24/1,5	
37	F0824141000	7	COPPER WASHER 21x27/1,5	
1	F0825809000	1	PRESSURE PIPE CONNECTOR	
39	F0825980030	6	COUPLING	

SERIAL

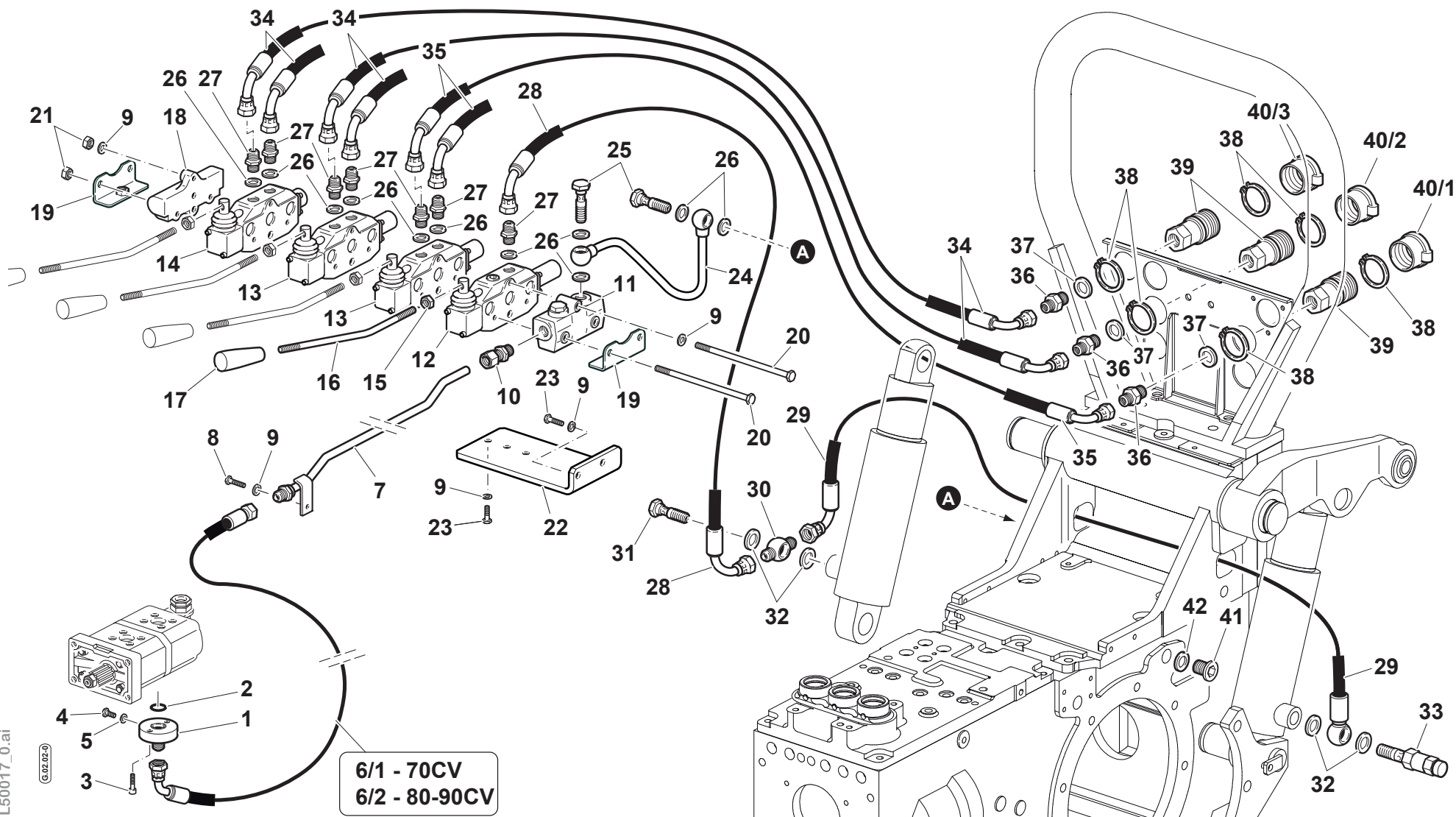
FREE DISCHARGE CONTROL VALVES VERSION

CODE REV

L.02.01.L50017_1



Pos.	Code	Q.ty	Description	Notes
26	F0835024010	6	NIPPLE	
36	F0835037000	5	NIPPLE	
16	F0837534010	4	GRIP	
24	F0843109020	4	PIPE FITTING	
31	F0843110010	2	THREADED TERMINAL END M18x1,5	
42	F0843116000	1	PIPE FITTING 1/2	
9	F0843643060	7	WASHER 8	
44	F0844273090	1	GASKET 22X28X1,5 CU 99,5	
40/01	F0852550010	2	GUARD	
40/02	F0852550020	2	GUARD	
40/03	F0852550030	1	GUARD	
40/04	F0852550040	1	GUARD	
4	F0862462010	1	SCREW	
28	P241171000000	1	VALVE	



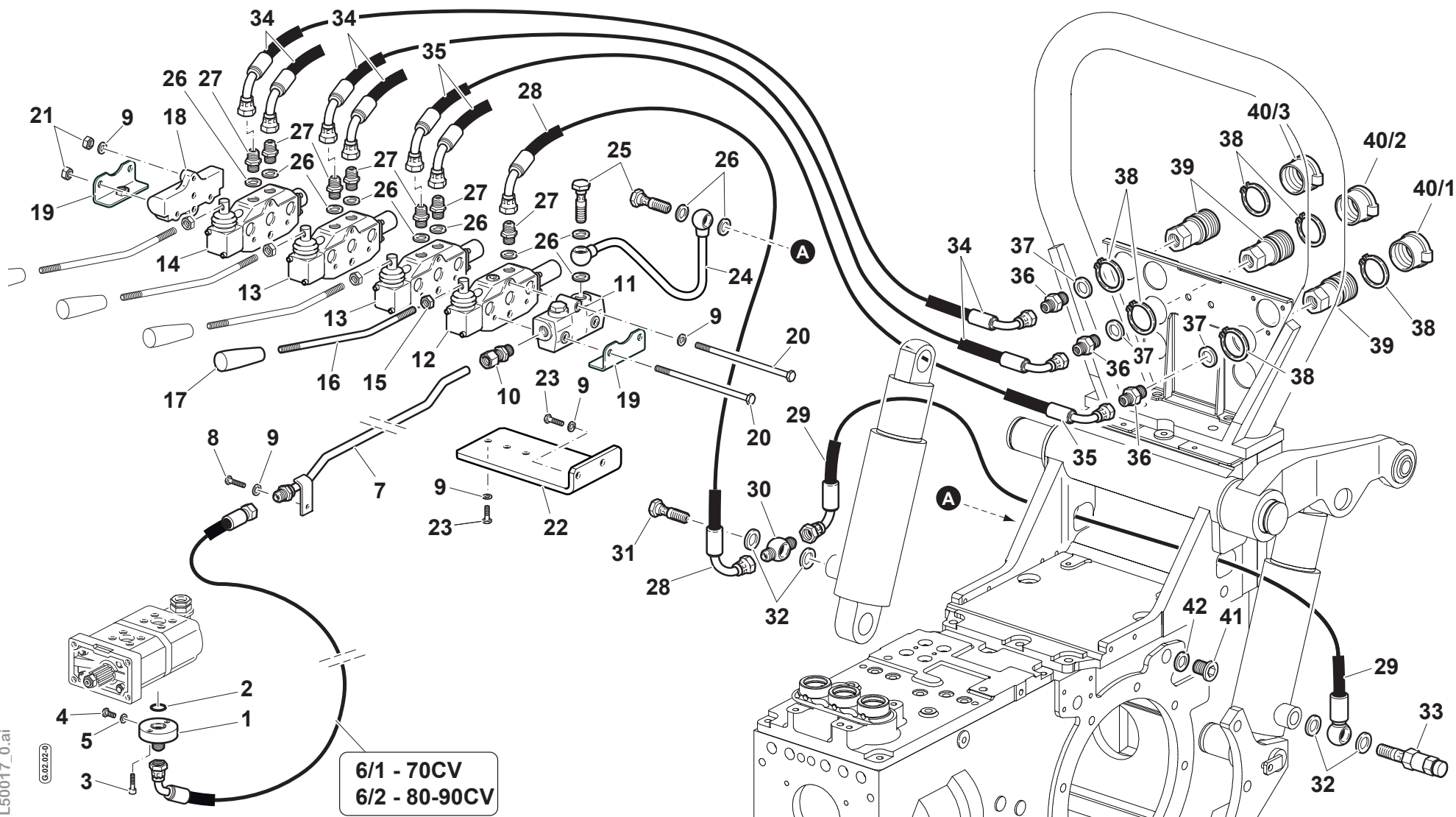
Pos.	Code	Q.ty	Description	Notes
8	31111151	1	SCREW TE M8X16 UNI 5739 8G	
23	31112150	4	SCREW TE M8X20 UNI 5739 8G	
3	31152057	2	SCREW	
21	31211080	3	NUT M8	
15	31211100	4	NUT M10	
16	56170964	4	COMMAND LEVER	
22	56174202	1	RETAINER	
41	56370081	1	PLUG	
28	58070511	1	FLEXIBLE HOSE	
29	58070513	1	FLEXIBLE HOSE	
6/02	58073147	1	FLEXIBLE HOSE	
34	58075080	4	FLEXIBLE HOSE	
35	58075087	2	FLEXIBLE HOSE	
6/01	58075247	1	FLEXIBLE HOSE	
30	58170512	1	EYELET	
12	58172011	1	S.A. VALVE	
14	58172012	1	D.A. VALVE	
13	58172013	2	D.A. VALVE	
10	58172015	1	PIPE FITTING	
20	58172018	3	ROD	
33	58172120	1	VALVE	
11	58172304	1	HEAD	
18	58172489	1	COVER	
19	59072057	2	FIXING BRACKET	
7	59074754	1	PRESSURE PIPE	
24	59074759	1	OIL PIPE	
38	F0801297000	12	RING	
2	F0803185000	1	O-RING	
5	F0824022000	1	SPECIAL GASKET D.8,4X12/1	
26	F0824110000	11	COPPER WASHER 3/8 GAS	
32	F0824113000	4	COPPER WASHER 18X24/1,5	
37	F0824141000	6	COPPER WASHER 21x27/1,5	
1	F0825809000	1	PRESSURE PIPE CONNECTOR	
39	F0825980030	6	COUPLING	

SERIAL

CONTROL VALVES WITHOUT FREE DISCHARGE VERSION

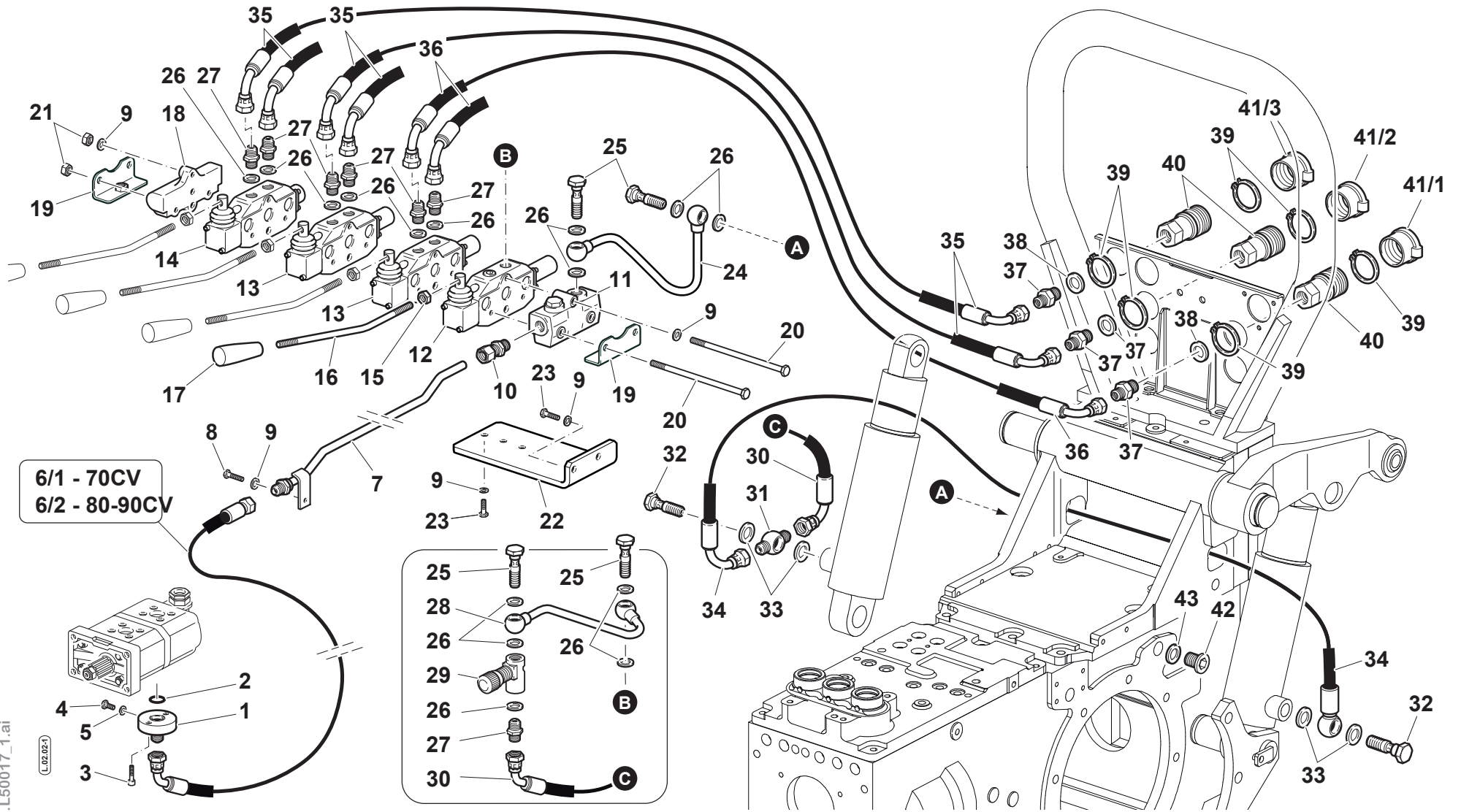
CODE REV

L.02.02.L50017_0



L.02.02.L50017_0.ai

Pos.	Code	Q.ty	Description	Notes
27	F0835024010	7	NIPPLE	
36	F0835037000	6	NIPPLE	
17	F0837534010	4	GRIP	
25	F0843109020	2	PIPE FITTING	
31	F0843110010	1	THREADED TERMINAL END M18x1,5	
9	F0843643060	7	WASHER 8	
42	F0844273090	1	GASKET 22X28X1,5 CU 99,5	
40/01	F0852550010	2	GUARD	
40/02	F0852550020	2	GUARD	
40/03	F0852550030	2	GUARD	
4	F0862462010	1	SCREW	



L.02.02.L50017_1.ai

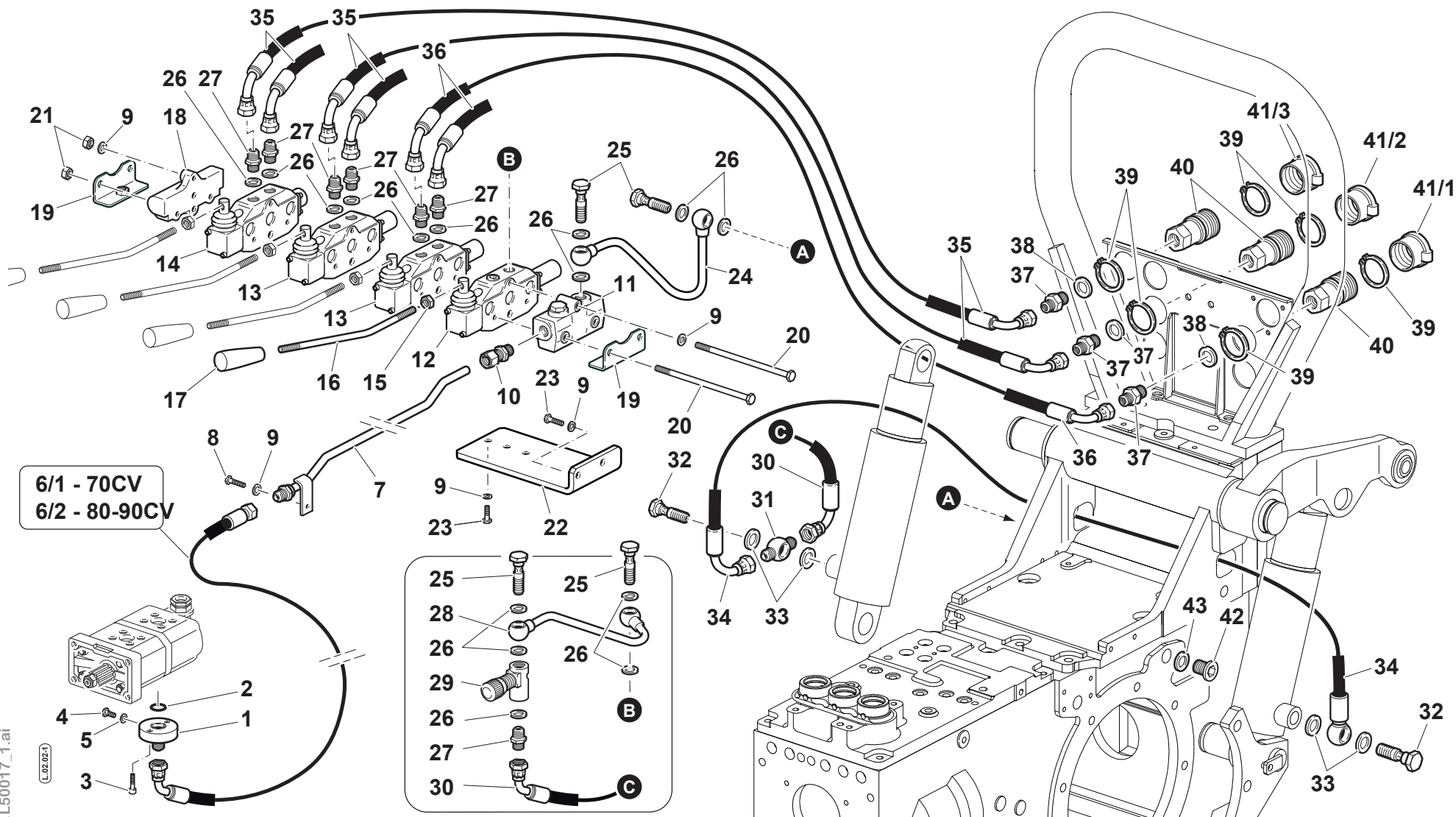
Pos.	Code	Q.ty	Description	Notes
8	31111151	1	SCREW TE M8X16 UNI 5739 8G	
23	31112150	4	SCREW TE M8X20 UNI 5739 8G	
3	31152057	2	SCREW	
21	31211080	3	NUT M8	
15	31211100	4	NUT M10	
16	56170964	4	COMMAND LEVER	
22	56174202	1	RETAINER	
42	56370081	1	PLUG	
34	58070513	1	FLEXIBLE HOSE	
6/02	58073147	1	FLEXIBLE HOSE	
35	58075080	4	FLEXIBLE HOSE	
36	58075087	2	FLEXIBLE HOSE	
30	58075135	1	FLEXIBLE HOSE	
6/01	58075247	1	FLEXIBLE HOSE	
31	58170512	1	EYELET	
12	58172011	1	S.A. VALVE	
14	58172012	1	D.A. VALVE	
13	58172013	2	D.A. VALVE	
10	58172015	1	PIPE FITTING	
20	58172018	3	ROD	
11	58172304	1	HEAD	
18	58172489	1	COVER	
19	59072057	2	FIXING BRACKET	
7	59074754	1	PRESSURE PIPE	
24	59074759	1	OIL PIPE	
28	59075359	1	PRESSURE PIPE	
39	F0801297000	12	RING	
2	F0803185000	1	O-RING	
5	F0824022000	1	SPECIAL GASKET D.8,4X12/1	
26	F0824110000	15	COPPER WASHER 3/8 GAS	
33	F0824113000	4	COPPER WASHER 18X24/1,5	
38	F0824141000	6	COPPER WASHER 21x27/1,5	
1	F0825809000	1	PRESSURE PIPE CONNECTOR	
40	F0825980030	6	COUPLING	

SERIAL

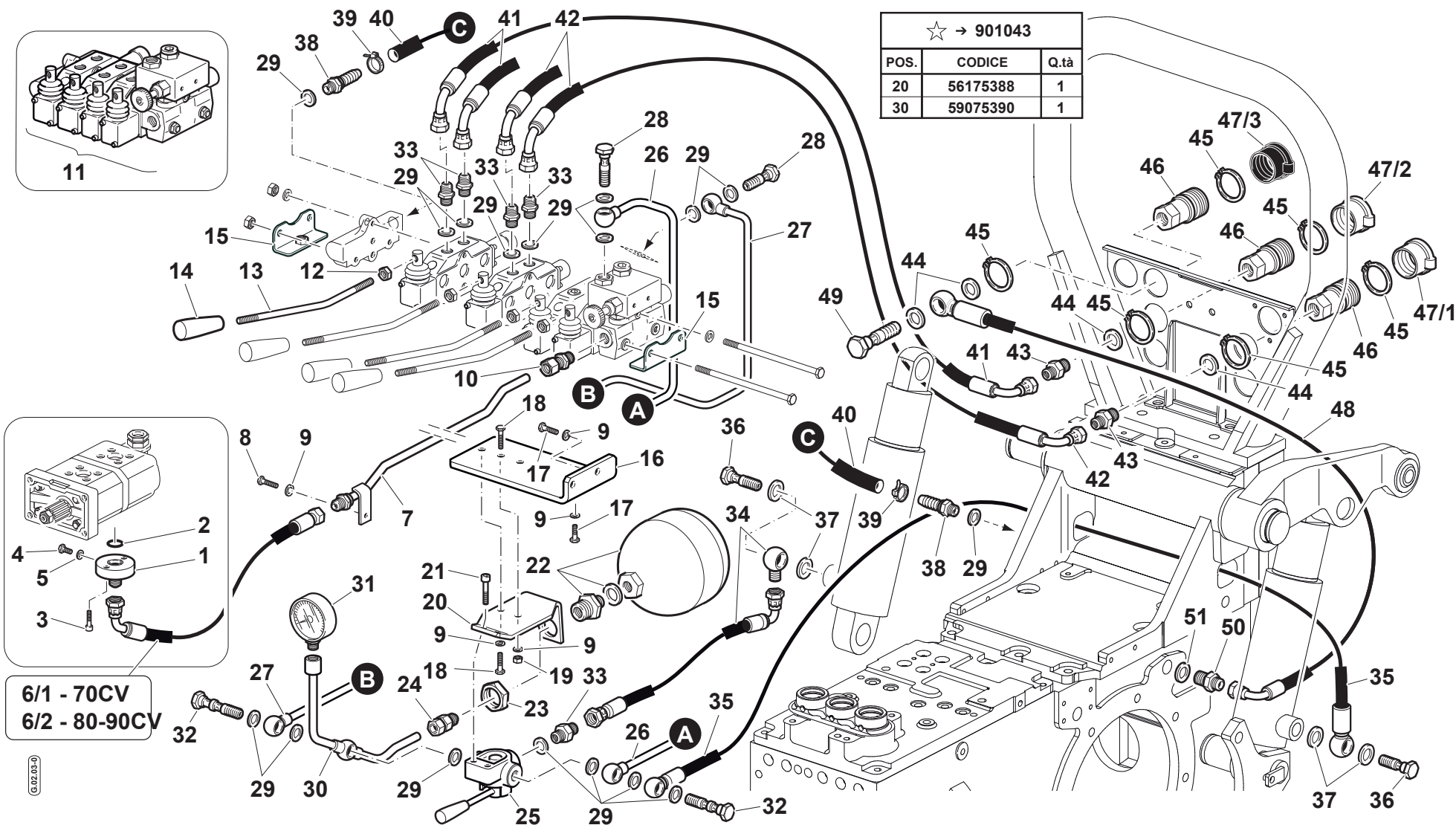
CONTROL VALVES WITHOUT FREE DISCHARGE VERSION

CODE REV

L.02.02.L50017_1



Pos.	Code	Q.ty	Description	Notes
27	F0835024010	7	NIPPLE	
37	F0835037000	6	NIPPLE	
17	F0837534010	4	GRIP	
25	F0843109020	4	PIPE FITTING	
32	F0843110010	2	THREADED TERMINAL END M18x1,5	
9	F0843643060	7	WASHER 8	
43	F0844273090	1	GASKET 22X28X1,5 CU 99,5	
41/01	F0852550010	2	GUARD	
41/02	F0852550020	2	GUARD	
41/03	F0852550030	2	GUARD	
4	F0862462010	1	SCREW	
29	P241171000000	1	VALVE	



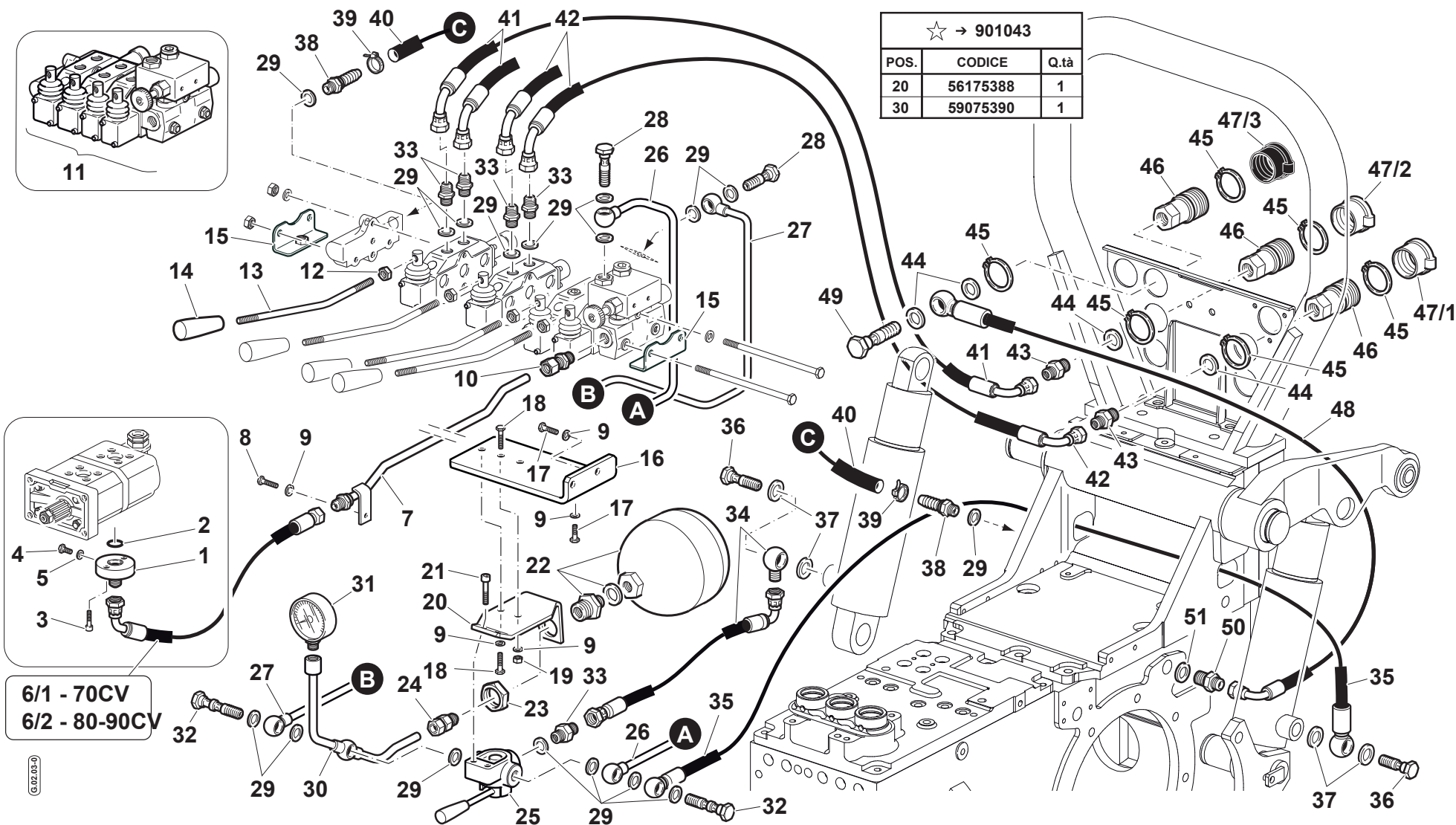
Pos.	Code	Q.ty	Description	Notes
8	31111151	1	SCREW TE M8X16 UNI 5739 8G	
17	31112150	3	SCREW TE M8X20 UNI 5739 8G	
18	31112151	2	SCREW TE M8X25 UNI 5739 8G	
3	31152057	2	SCREW	
21	31152084	2	SCREW TCEI M8X35 UNI 5931	
19	31211080	1	NUT M8	
12	31211100	4	NUT M10	
23	56170779	1	NUT	
13	56170964	4	COMMAND LEVER	
16	56174202	1	RETAINER	
20	56175388	1	SUPPORT	
40	58070519	1	OIL PIPE	
6/02	58073147	1	FLEXIBLE HOSE	
35	58075074	1	FLEXIBLE HOSE	
41	58075080	2	FLEXIBLE HOSE	
48	58075082	1	FLEXIBLE HOSE	
42	58075087	2	FLEXIBLE HOSE	
6/01	58075247	1	FLEXIBLE HOSE	
24	58170251	1	PIPE FITTING	
31	58170597	1	MANOMETER	
32	58170693	2	PIPE FITTING	
10	58172015	1	PIPE FITTING	
38	58172307	2	RUBBER HOLDER	
11	58174974	1	FLOATING DEVICE GROUP	
50	58175083	1	NIPPLE	
15	59072057	2	FIXING BRACKET	
7	59074754	1	PRESSURE PIPE	
26	59075064	1	PIPE	
27	59075389	1	DISTRIBUTING PIPE	
30	59075390	1	PRESSURE PIPE	
22	59900364	1	KIT	
34	59900365	1	PIPE SET	
25	F0110037024	1	SWITCH	
45	F0801297000	10	RING	

SERIAL

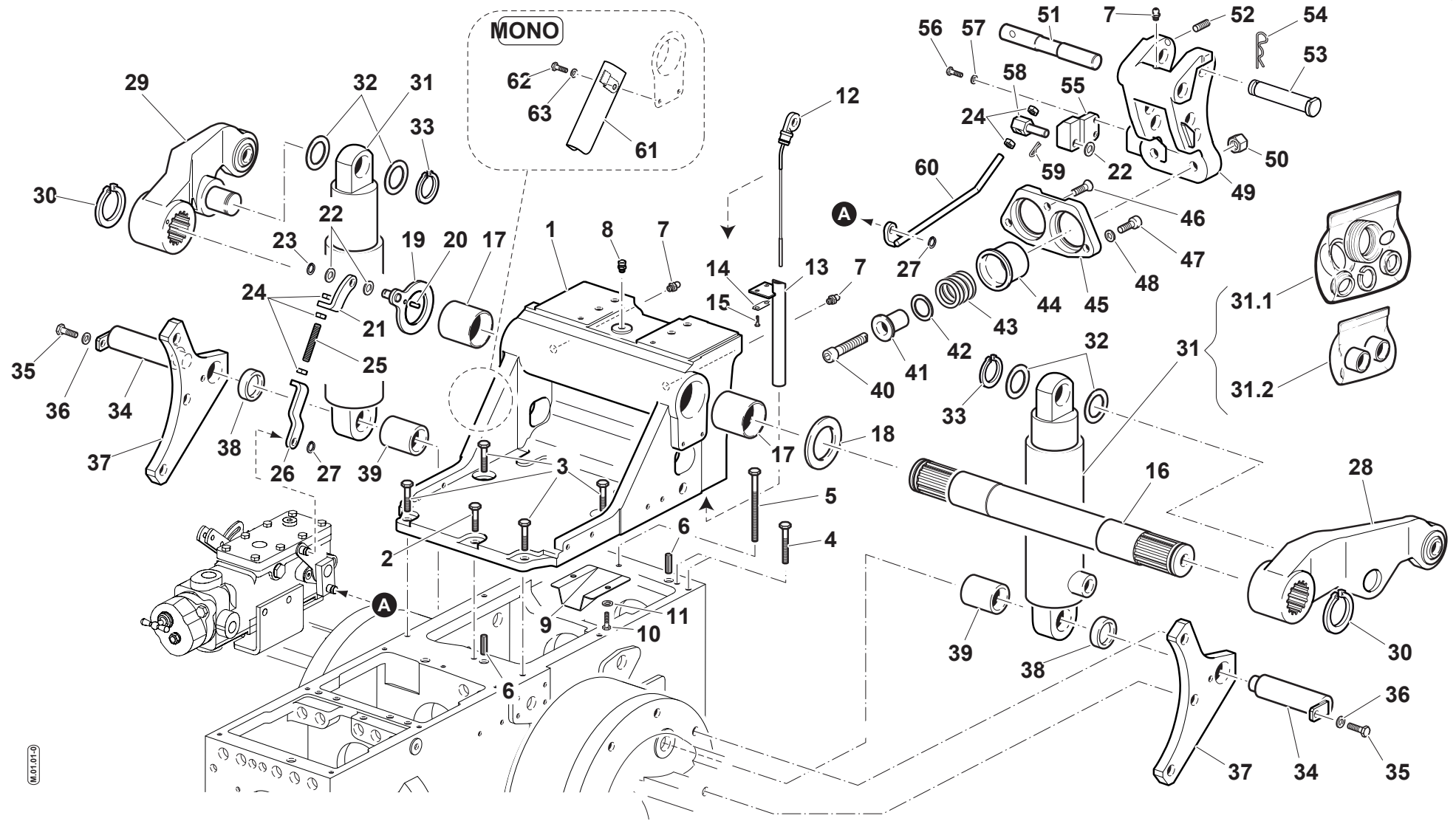
HYDR. SUSPENSION VERSION

CODE REV

L.02.03.L50020_0



Pos.	Code	Q.ty	Description	Notes
2	F0803185000	1	O-RING	
39	F0817519000	2	CLAMP	
5	F0824022000	1	SPECIAL GASKET D.8,4X12/1	
29	F0824110000	17	COPPER WASHER 3/8 GAS	
37	F0824113000	4	COPPER WASHER 18X24/1,5	
44	F0824141000	6	COPPER WASHER 21x27/1,5	
1	F0825809000	1	PRESSURE PIPE CONNECTOR	
46	F0825980030	5	COUPLING	
33	F0835024010	5	NIPPLE	
43	F0835037000	4	NIPPLE	
14	F0837534010	4	GRIP	
28	F0843109020	2	PIPE FITTING	
36	F0843110010	2	THREADED TERMINAL END M18x1,5	
49	F0843116000	1	PIPE FITTING 1/2	
9	F0843643060	6	WASHER 8	
51	F0844273090	1	GASKET 22X28X1,5 CU 99,5	
47/01	F0852550020	2	GUARD	
47/02	F0852550030	2	GUARD	
47/03	F0852550040	1	GUARD	
4	F0862462010	1	SCREW	



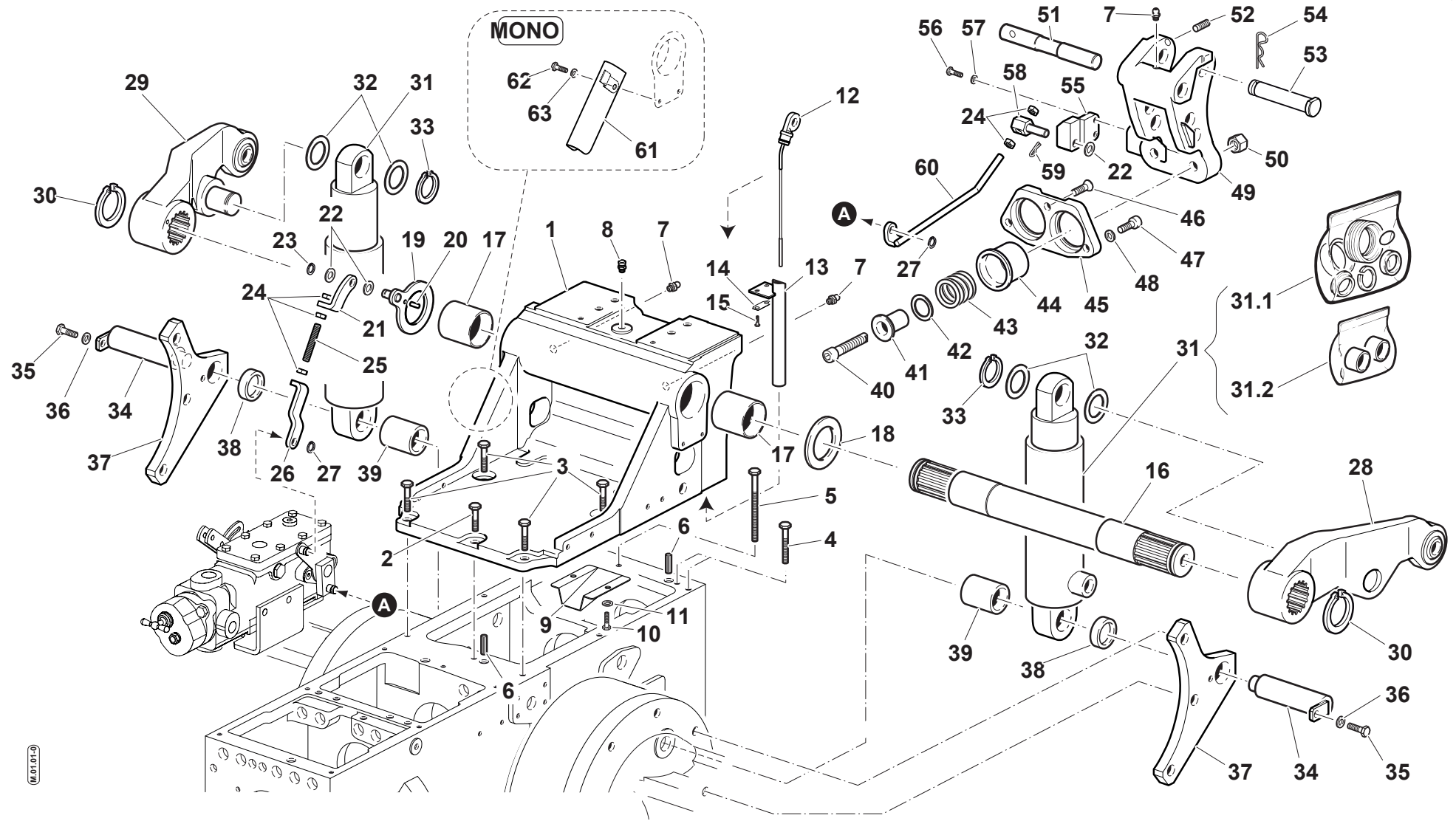
Pos.	Code	Q.ty	Description	Notes
62	31111091	1	SCREW E M6X14 UNI 5739 8G	
15	31112082	2	SCREW TE M6X12 UNI 5739 8G	
56	31112093	2	SCREW TE M6X20	
10	31112149	2	SCREW TE M8X12 UNI 5739 8G	
35	31112150	2	SCREW TE M8X20 UNI 5739 8G	
3	31112211	4	SCREW TE M10X30 UNI 5739	
5	31112217	1	SCREW TE M10X80 UNI 5737	
2	31112219	1	SCREW TE M10X25 UNI 5739	
47	31152097	2	SCREW TCEI M10X30 UNI 5931	
50	31241121	2	SELFLOCK NUT M12	
22	31411104	3	WASHER 10,5x18	
59	34110030	1	SPLIT PIN	
27	35211070	2	SEEGER RING	
40	50973415	2	SCREW	
49	51173371	1	THREE-POINT LINKAGE	
1	51174047	1	SUPPORT	
14	52071702	1	CLAMPING PLATE	
44	56073413	2	SLEEVE	
41	56073414	2	GUIDE	
45	56073416	1	FLANGE	
58	56075143	1	HINGE PIN	
26	56075145	1	BRACKET	
37	56170283	2	BRACKET	
39	56170285	2	SPACER	
38	56170286	2	SPACER	
9	56173638	1	GUARD	
32	56370282	4	SHIM	
34	56370287	2	HINGE PIN	
18	56370288	1	SHIM	
42	56373426	1	SHIM	
42	56373427	1	SHIM	
42	56373428	1	SHIM	
53	56373436	1	PIN	
51	56374574	1	CONNECTING BOLT	

SERIAL

POSITION AND DRAFT CONTROL LIFT

CODE REV

M.01.01.L50017_0



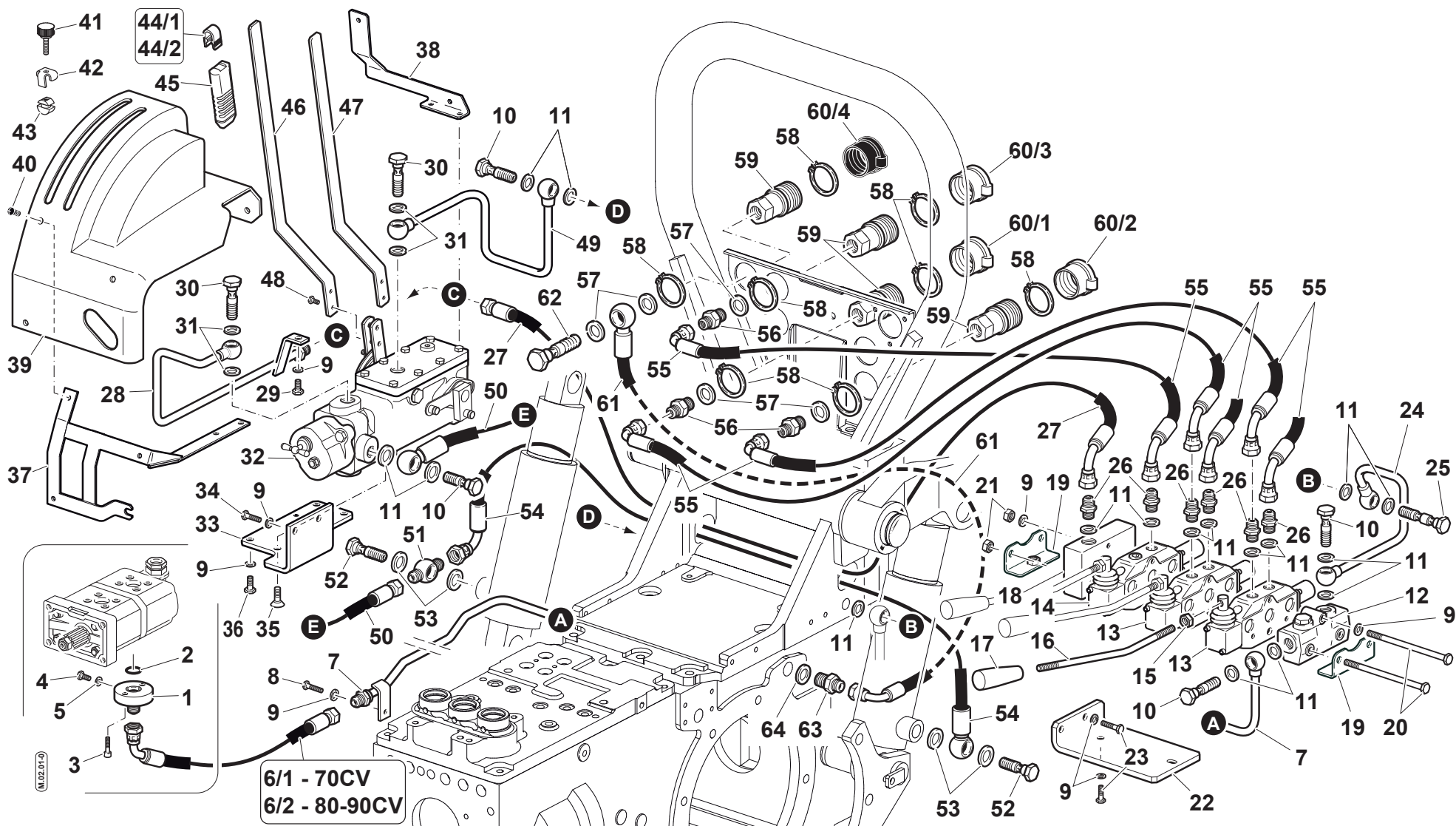
Pos.	Code	Q.ty	Description	Notes
25	56375146	1	GRAIN	
21	56375147	1	BRACKET	
6	56570016	2	CYLINDRICAL PLUG	
16	56570284	1	SHAFT	
20	56570506	1	PIN	
42	58025869	1	SHIM	
43	58073411	2	SPRING	
8	58075603	1	PLUG	
31	58170245	2	LIFTING CYLINDER	
17	58170291	2	BUSHING	
31,2	58171536	1	BUSHINGS KIT	
31,1	58171537	1	GASKET SET	
12	58174581	1	OIL LEVEL ROD	
28	59070289	1	LIFTING ARM	
29	59070290	1	RIGHT ARM	
13	59074443	1	PIPE	
60	59075137	1	ROD	
55	59075140	1	SMALL BLOCK	
19	59075148	1	SHIM	
61	59075178	1	CABLE BARRIER RAIL	
23	F0801050000	1	SEEGER RING	
33	F0801241010	2	SEEGER RING	
30	F0801331050	2	SEEGER RING	
24	F0814569000	5	NUT	
7	F0826056000	3	LUBRICATOR M10 UNI 7663A	
57	F0843570000	2	WASHER 6	
63	F0843570000	1	WASHER 6	
11	F0843643060	2	WASHER 8	
36	F0843643060	2	WASHER 8	
48	F0843755000	2	WASHER 10	
54	F0851486000	1	SPLIT PIN	
52	F0862593050	1	SCREW M8X20 UNI 5927	
46	F0863208050	1	SCREW M10X20 UNI 5933	
4	F0863429000	4	SCREW M10X45 UNI 5737	

SERIAL

POSITION AND DRAFT CONTROL LIFT

CODE REV

M.01.01.L50017_0



M.02.01.L50017_0.ai

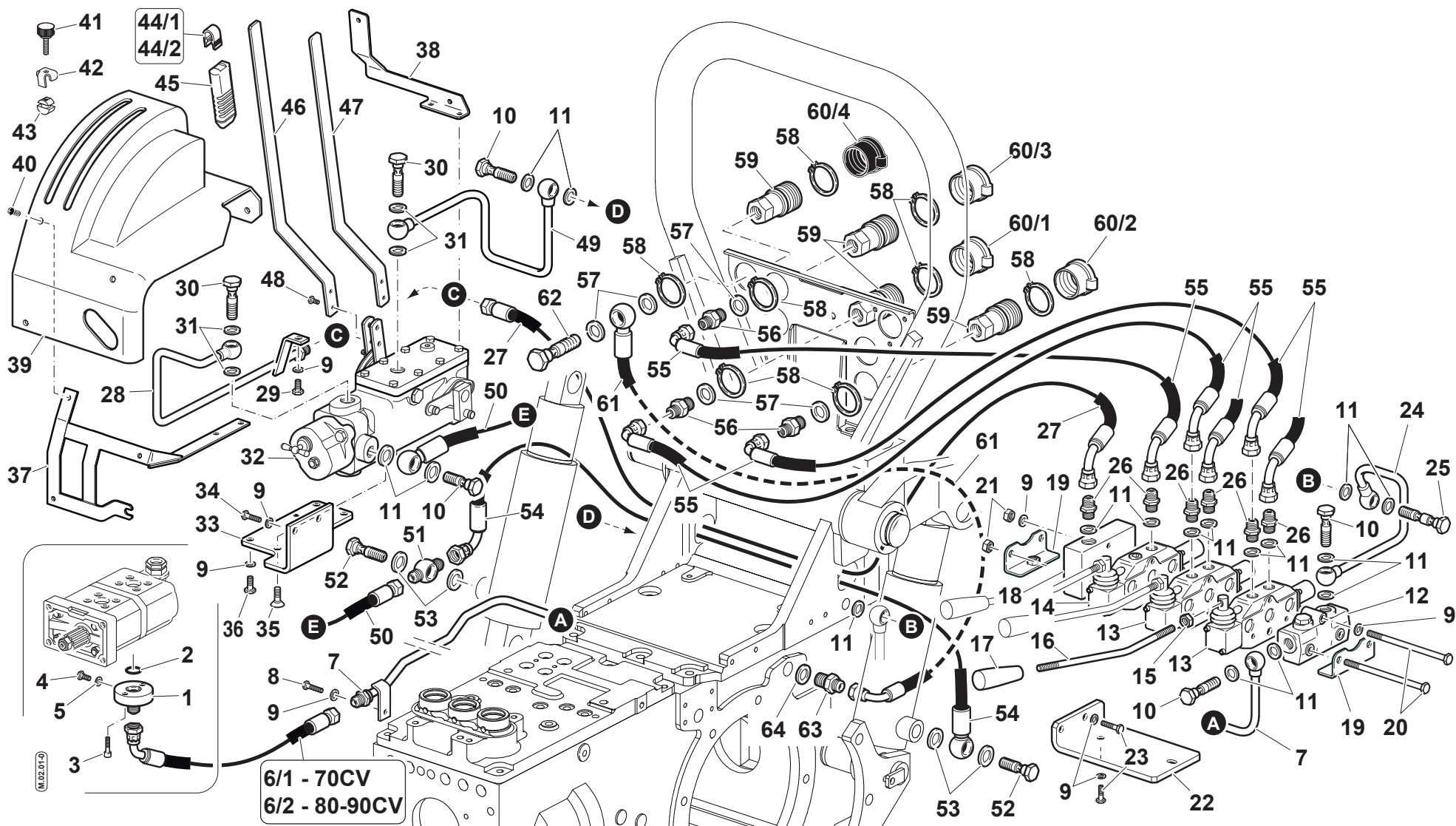
Pos.	Code	Q.ty	Description	Notes
48	31111090	4	SCREW	
36	31111151	3	SCREW TE M8X16 UNI 5739 8G	
8	31111151	1	SCREW TE M8X16 UNI 5739 8G	
29	31112149	1	SCREW TE M8X12 UNI 5739 8G	
23	31112150	4	SCREW TE M8X20 UNI 5739 8G	
34	31112150	2	SCREW TE M8X20 UNI 5739 8G	
3	31152057	2	SCREW	
21	31211080	3	NUT M8	
15	31211100	3	NUT M10	
33	56075161	1	FIXING BRACKET	
46	56075183	1	COMMAND LEVER	
47	56075184	1	COMMAND LEVER	
42	56075197	1	CLIP	
43	56075198	1	SMALL BLOCK	
38	56075251	1	FIXING BRACKET	
16	56170964	3	COMMAND LEVER	
22	56175227	1	LEFT BRACKET	
61	56370081	1	PLUG	
39	57375192	1	COVER	
54	58070513	1	FLEXIBLE HOSE	
6/02	58073147	1	FLEXIBLE HOSE	
61	58075082	1	FLEXIBLE HOSE	
27	58075159	1	FLEXIBLE HOSE	
50	58075160	1	FLEXIBLE HOSE	
55	58075226	5	FLEXIBLE HOSE	
6/01	58075247	1	FLEXIBLE HOSE	
51	58170512	1	EYELET	
14	58172011	1	S.A. VALVE	
14	58172012	1	D.A. VALVE	
13	58172013	2	D.A. VALVE	
20	58172017	3	ROD	
12	58172304	1	HEAD	
25	58172589	1	THREADED TERMINAL END	
18	58173361	1	COVER	

SERIAL

FREE DISCHARGE CONTROL VALVES VERSION

CODE REV

M.02.01.L50017_0



M.02.01.L50017_0.ai

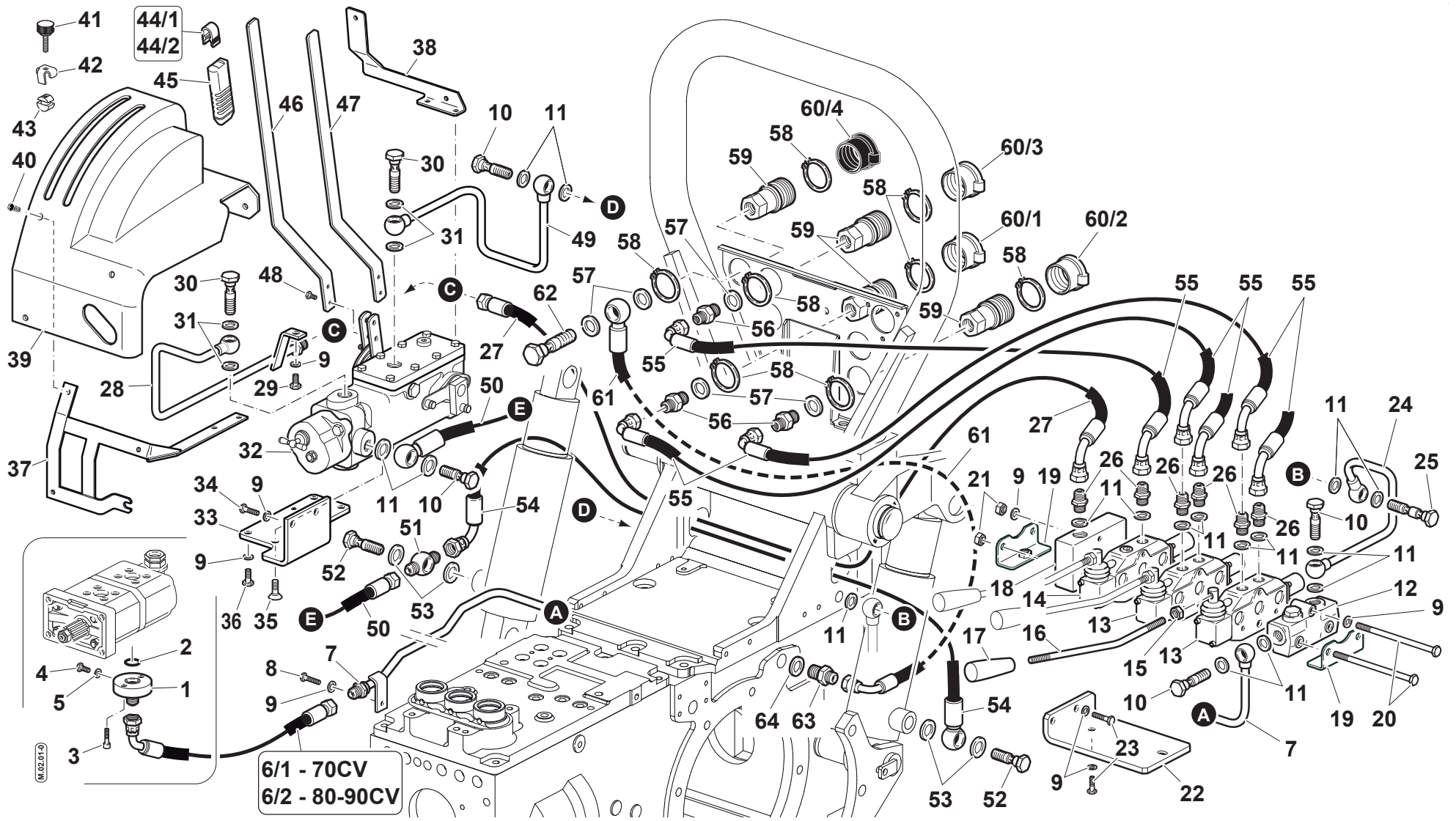
Pos.	Code	Q.ty	Description	Notes
63	58175083	1	NIPPLE	
45	58175187	2	KNOB	
44/02	58175188	1	INSERT	
32	58175191	1	DISTRIBUTOR	
41	58175196	1	KNOB	
44/01	58175211	1	INSERT	
19	59072057	2	FIXING BRACKET	
49	59075171	1	EXHAUST	
7	59075216	1	PRESSURE PIPE	
24	59075217	1	EXHAUST	
37	59075253	1	FIXING BRACKET	
28	59075979	1	PRESSURE PIPE	
58	F0801297000	12	RING	
2	F0803185000	1	O-RING	
5	F0824022000	1	SPECIAL GASKET D.8,4X12/1	
11	F0824110000	17	COPPER WASHER 3/8 GAS	
53	F0824113000	4	COPPER WASHER 18X24/1,5	
31	F0824141000	4	COPPER WASHER 21x27/1,5	
57	F0824141000	6	COPPER WASHER 21x27/1,5	
1	F0825809000	1	PRESSURE PIPE CONNECTOR	
59	F0825980030	6	COUPLING	
26	F0835024010	6	NIPPLE	
56	F0835037000	6	NIPPLE	
17	F0837534010	3	GRIP	
10	F0843109020	4	PIPE FITTING	
52	F0843110010	2	THREADED TERMINAL END M18x1,5	
30	F0843116000	2	PIPE FITTING 1/2	
62	F0843116000	1	PIPE FITTING 1/2	
9	F0843643060	13	WASHER 8	
62	F0844273090	1	GASKET 22X28X1,5 CU 99,5	
64	F0844273090	1	GASKET 22X28X1,5 CU 99,5	
60/01	F0852550010	2	GUARD	
60/02	F0852550020	2	GUARD	
60/03	F0852550030	2	GUARD	

SERIAL

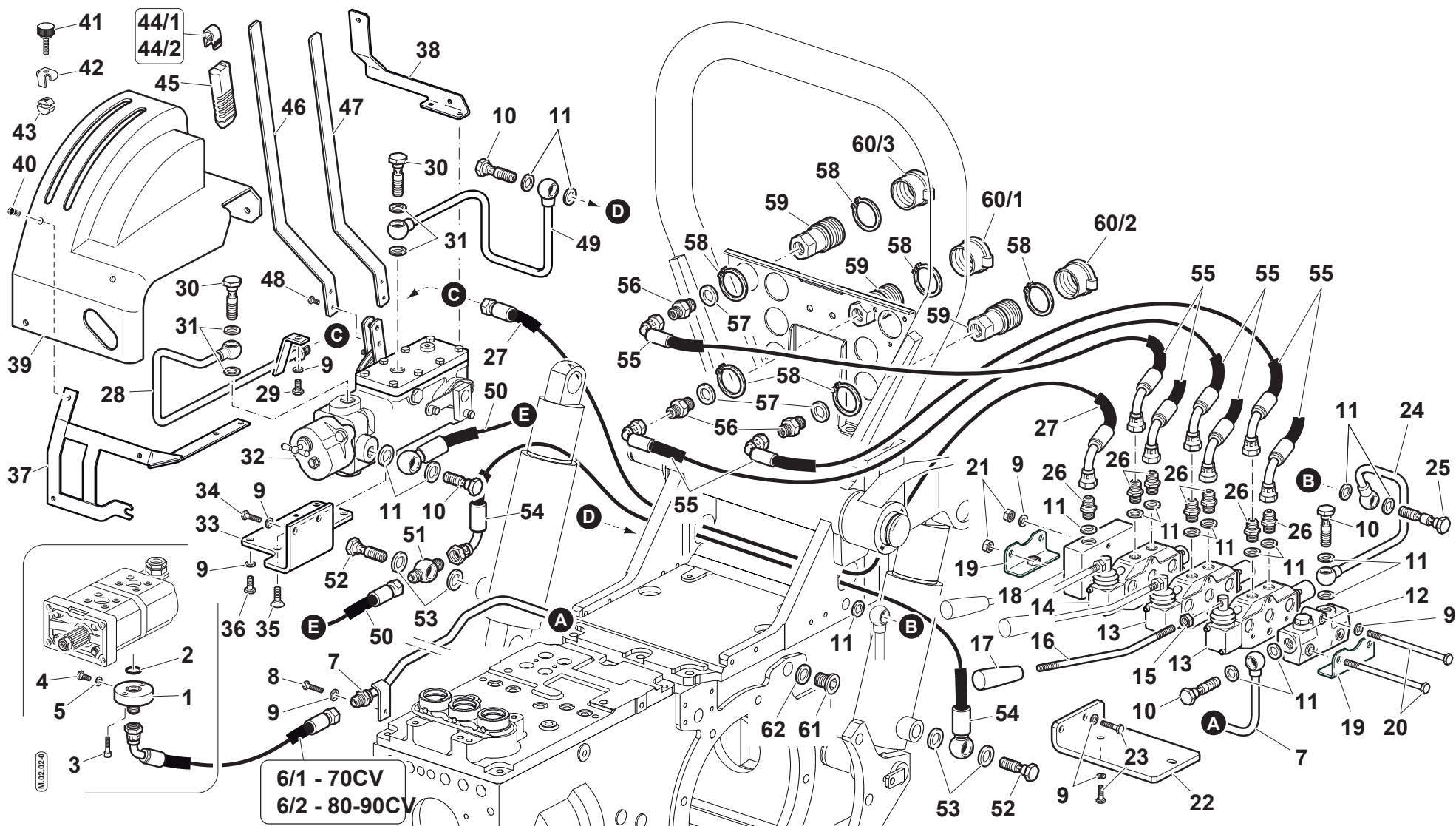
FREE DISCHARGE CONTROL VALVES VERSION

CODE REV

M.02.01.L50017_0



Pos.	Code	Q.ty	Description	Notes
60/04	F0852550040	1	GUARD	
40	F0861973000	5	SCREW M6X10 COMBI	
4	F0862462010	1	SCREW	
35	F0862481000	1	SCREW M8x16 UNI 5933	



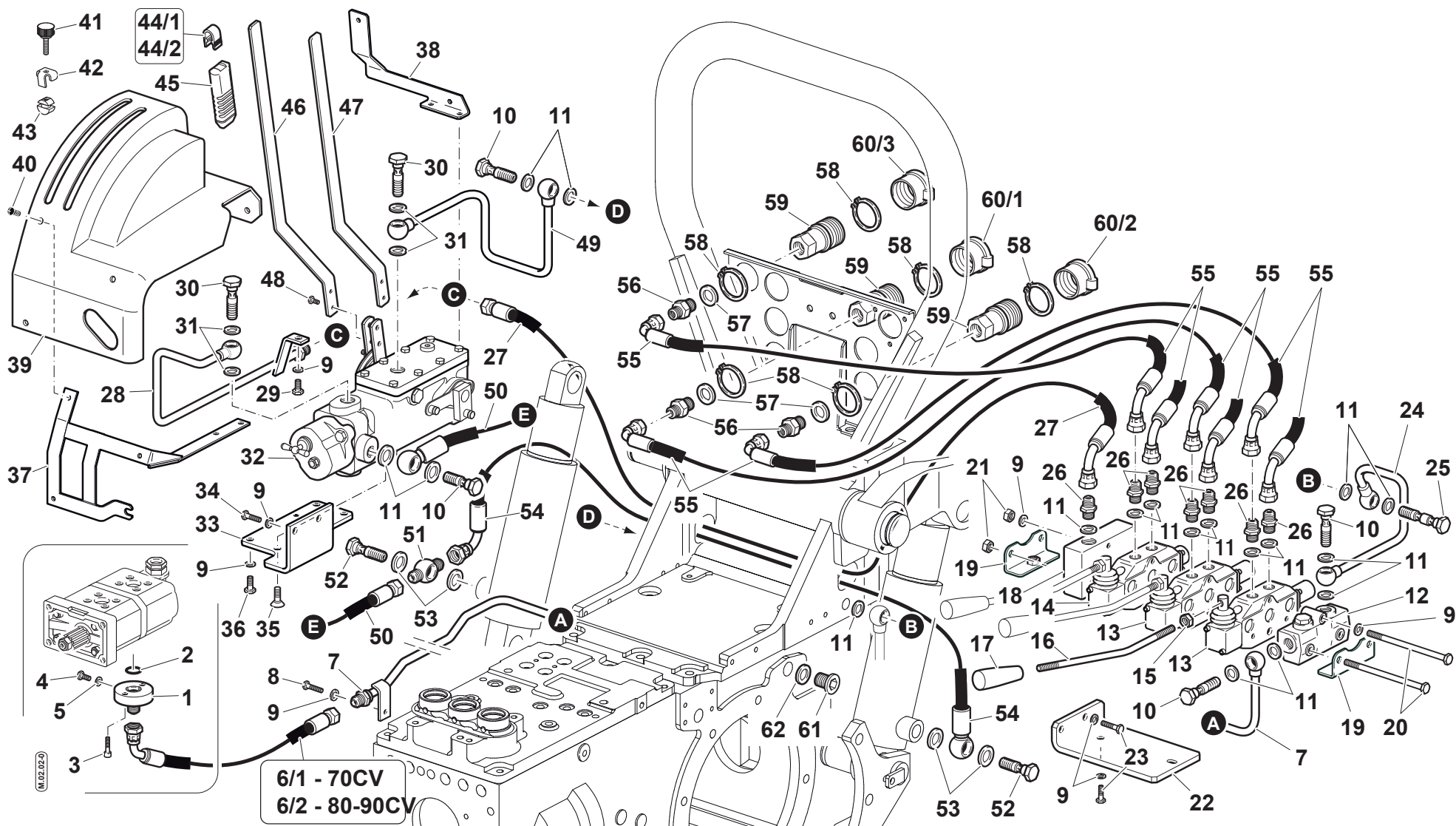
Pos.	Code	Q.ty	Description	Notes
48	31111090		SCREW	
36	31111151		SCREW TE M8X16 UNI 5739 8G	
8	31111151		SCREW TE M8X16 UNI 5739 8G	
29	31112149		SCREW TE M8X12 UNI 5739 8G	
23	31112150		SCREW TE M8X20 UNI 5739 8G	
34	31112150		SCREW TE M8X20 UNI 5739 8G	
3	31152057		SCREW	
21	31211080		NUT M8	
15	31211100		NUT M10	
33	56075161		FIXING BRACKET	
46	56075183		COMMAND LEVER	
47	56075184		COMMAND LEVER	
42	56075197		CLIP	
43	56075198		SMALL BLOCK	
38	56075251		FIXING BRACKET	
16	56170964		COMMAND LEVER	
22	56175227		LEFT BRACKET	
61	56370081		PLUG	
39	57375192		COVER	
54	58070513		FLEXIBLE HOSE	
6,2	58073147		FLEXIBLE HOSE	
27	58075159		FLEXIBLE HOSE	
55	58075226		FLEXIBLE HOSE	
6,1	58075247		FLEXIBLE HOSE	
51	58170512		EYELET	
14	58172012		D.A. VALVE	
13	58172013		D.A. VALVE	
20	58172017		ROD	
12	58172304		HEAD	
25	58172589		THREADED TERMINAL END	
18	58173361		COVER	
45	58175187		KNOB	
44,2	58175188		INSERT	
32	58175191		DISTRIBUTOR	

SERIAL

CONTROL VALVES WITHOUT FREE DISCHARGE VERSION

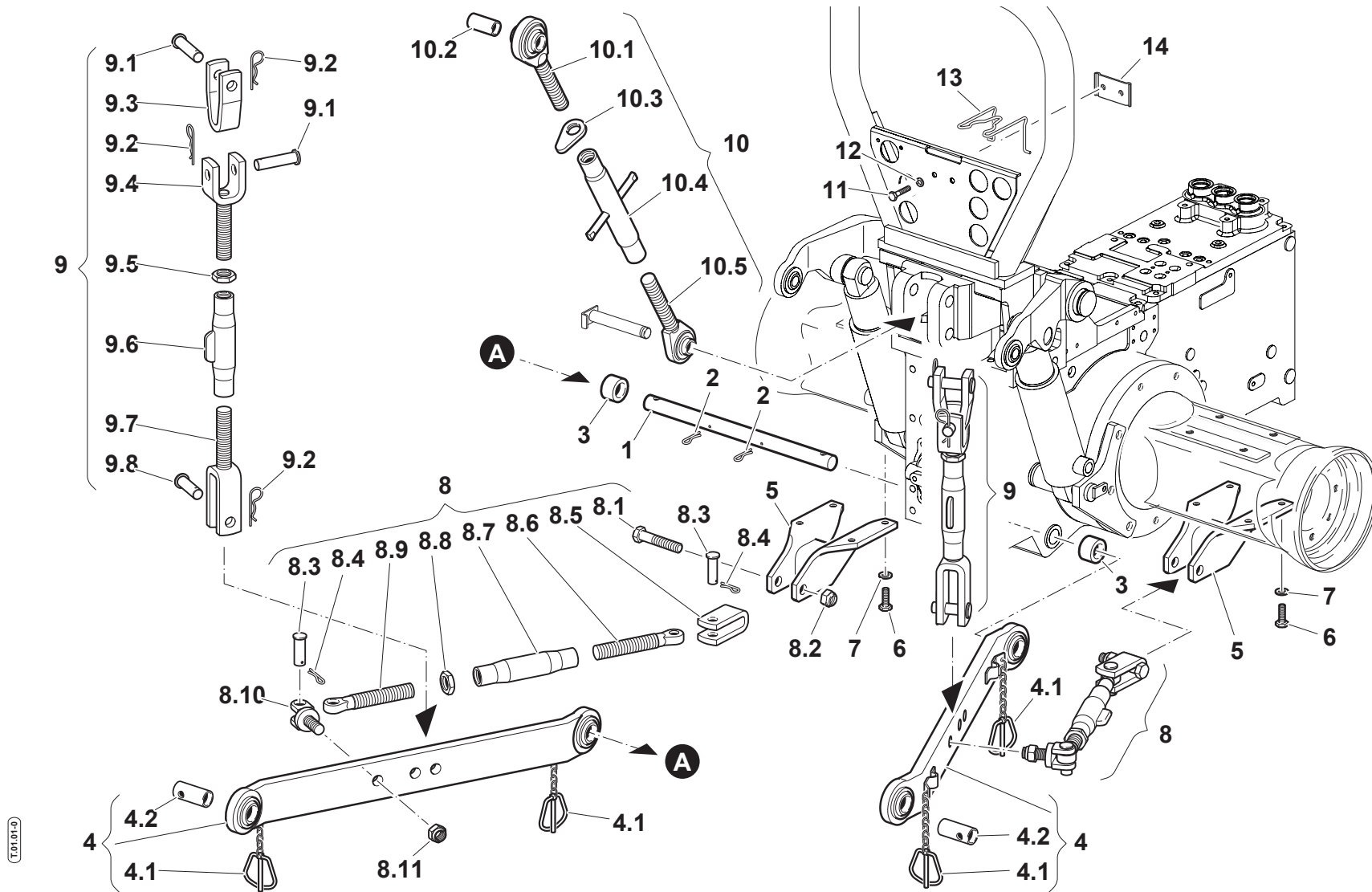
CODE REV

M.02.02.L50017_0



M.02.02.L50017_0.ai

Pos.	Code	Q.ty	Description	Notes
41	58175196		KNOB	
44,1	58175211		INSERT	
19	59072057		FIXING BRACKET	
49	59075171		EXHAUST	
7	59075216		PRESSURE PIPE	
24	59075217		EXHAUST	
37	59075253		FIXING BRACKET	
28	59075979		PRESSURE PIPE	
58	F0801297000		RING	
2	F0803185000		O-RING	
5	F0824022000		SPECIAL GASKET D.8,4X12/1	
11	F0824110000		COPPER WASHER 3/8 GAS	
53	F0824113000		COPPER WASHER 18X24/1,5	
31	F0824141000		COPPER WASHER 21x27/1,5	
57	F0824141000		COPPER WASHER 21x27/1,5	
1	F0825809000		PRESSURE PIPE CONNECTOR	
59	F0825980030		COUPLING	
26	F0835024010		NIPPLE	
56	F0835037000		NIPPLE	
17	F0837534010		GRIP	
10	F0843109020		PIPE FITTING	
52	F0843110010		THREADED TERMINAL END M18x1,5	
30	F0843116000		PIPE FITTING 1/2	
9	F0843643060		WASHER 8	
62	F0844273090		GASKET 22X28X1,5 CU 99,5	
60,1	F0852550010		GUARD	
60,2	F0852550020		GUARD	
60,3	F0852550030		GUARD	
40	F0861973000		SCREW M6X10 COMBI	
4	F0862462010		SCREW	
35	F0862481000		SCREW M8x16 UNI 5933	



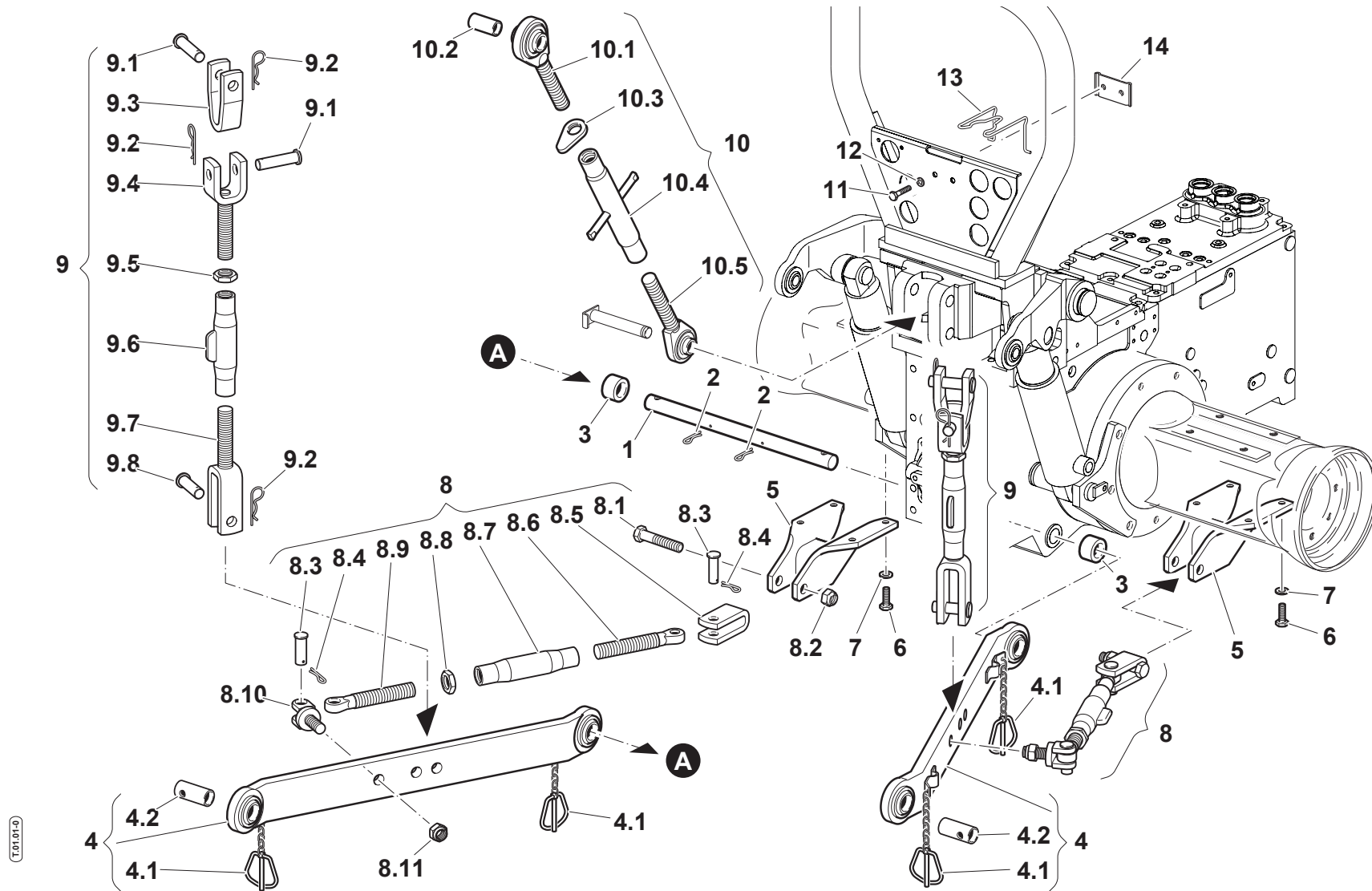
Pos.	Code	Q.ty	Description	Notes
11	31112150	2	SCREW TE M8X20 UNI 5739 8G	
6	31112211	8	SCREW TE M10X30 UNI 5739	
8,2	31241160	1	SELFLOCK NUT M16 6S	
8,4	34110029	2	SPLIT PIN	
10,2	56073059	1	REDUCING BUSH	
3	56170392	2	SPACER	
1	56574008	1	NON RETURN ARM BAR (75841/2)	
8	58070315	2	ROD	
8,3	58070480	2	PIN	
8,1	58070481	1	FORK	
9,8	58070482	1	PIN	
8,5	58070484	1	BRACKET	
8,6	58070558	1	TIRANTE FILETTATO SINISTRO fp	
8,7	58070559	1	PIPE	
8,9	58070560	1	ROD	
4	58071322	2	BOTTOM LINK	
9,1	58071755	2	PIN	
9,6	58072054	1	PIPE	
10	58073034	1	3-POINT HITCH	
9	58073205	2	ROD	
9,7	58073206	1	ROD	
9,4	58073212	1	ROD	
9,3	58075843	1	FORK	
13	58170449	1	RETAINING SPRING	
10,5	58171004	1	TIP	
10,3	58171006	1	RETAINING WASHER	
4,2	58171021	1	REDUCING BUSH	
10,1	58173074	1	TIP	
10,4	58173075	1	CORPO PUNTONE 3°PUNTO	
5	59070316	2	SUPPORT	
14	59070448	1	FIXING BRACKET	
2	F0810622010	2	FRONT COVER	
8,11	F0814838050	1	SELFLOCK NUT M18 CL:6	
8,8	F0814907000	1	NUT M24X2	

SERIAL

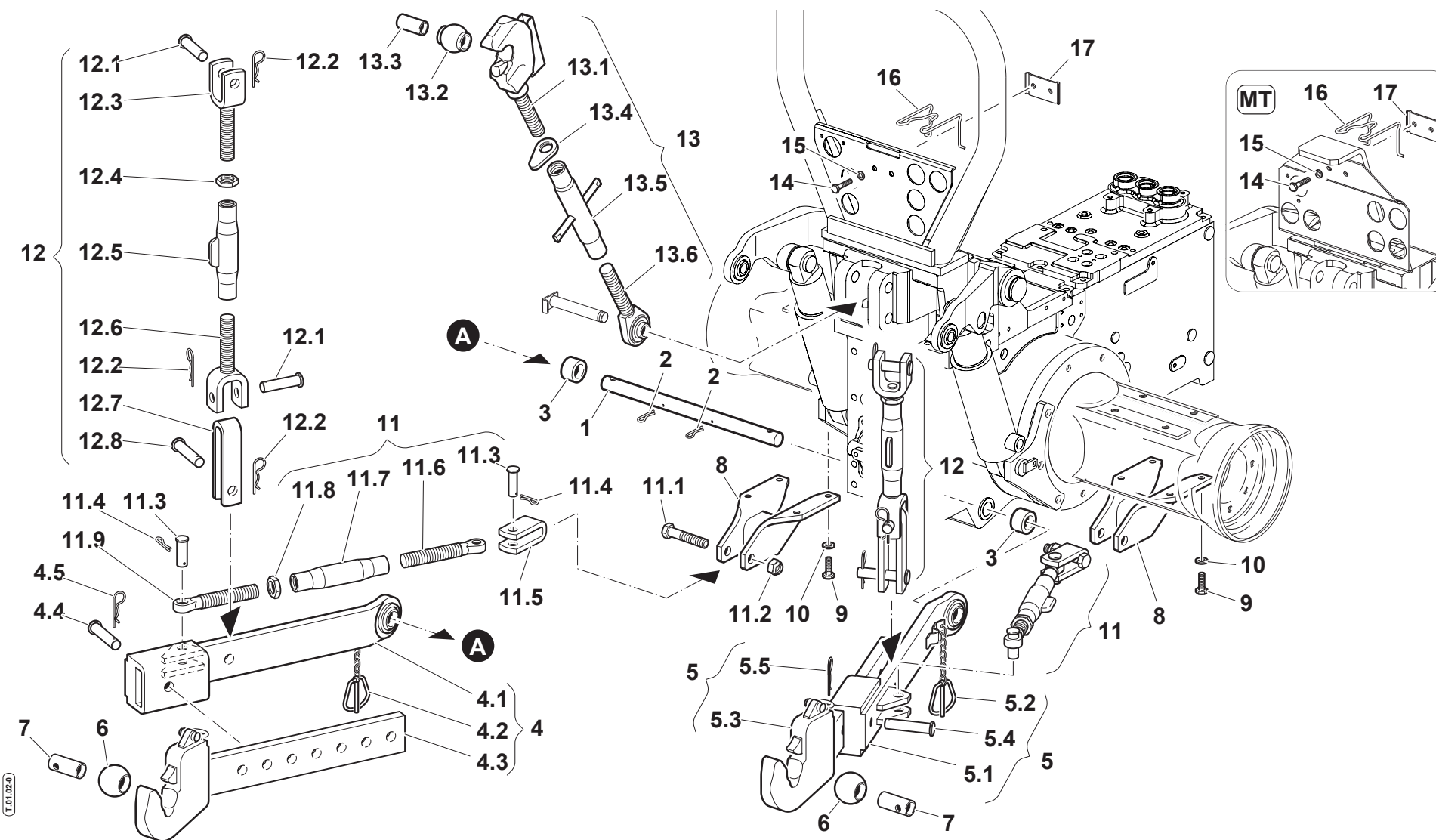
IMPLEMENTS ATTACHMENT - STANDARD

CODE REV

T.01.01.L50017_0



Pos.	Code	Q.ty	Description	Notes
9,5	F0814907000	1	NUT M24X2	
12	F0843643060	2	WASHER 8	
7	F0843755000	8	WASHER 10	
9,2	F0851486000	3	SPLIT PIN	
4,1	F0852107050	2	PISTON PIN	
8,1	F0864379010	1	SCREW M16X80 UNI 5737	



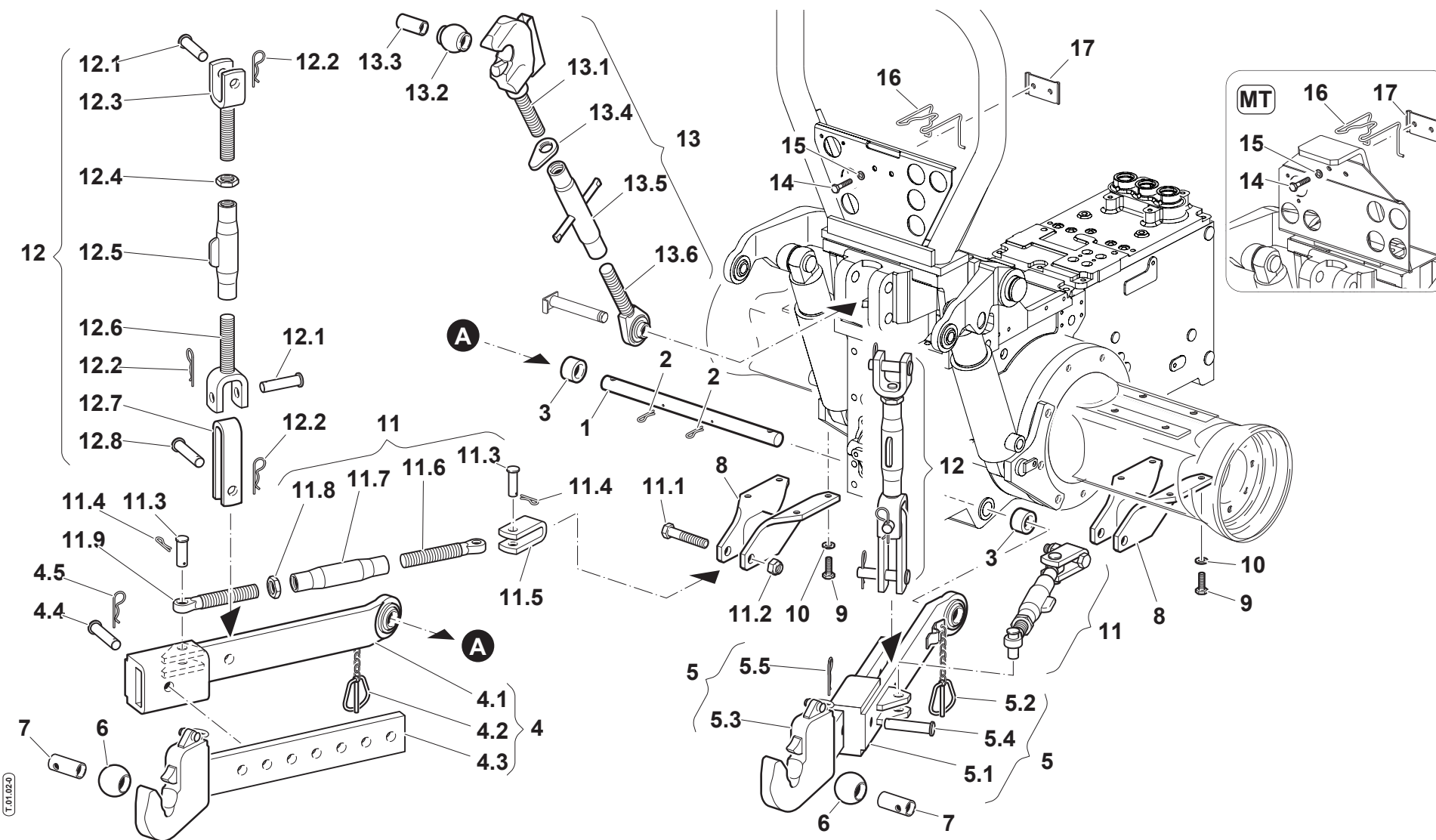
Pos.	Code	Q.ty	Description	Notes
14	31112150	2	SCREW TE M8X20 UNI 5739 8G	
9	31112211	8	SCREW TE M10X30 UNI 5739	
11,2	31241160	1	SELFLOCK NUT M16 6S	
11,4	34110029	2	SPLIT PIN	
13,3	56073059	1	REDUCING BUSH	
3	56170392	2	SPACER	
12,8	56371101	1	PIN	
4,4	56371101	1	PIN	
5,4	56371101	1	PIN	
1	56574008	1	NON RETURN ARM BAR (75841/2)	
11,3	58070480	2	PIN	
11,5	58070484	1	BRACKET	
11,6	58070558	1	TIRANTE FILETTATO SINISTRO fp	
11,7	58070559	1	PIPE	
11,9	58070560	1	ROD	
13	58070848	1	3-POINT HITCH	
4,3	58071188	1	TIP	
5,3	58071189	1	TIP	
11	58071196	2	ROD	
12,1	58071755	2	PIN	
12,7	58071758	1	FORK	
4,1	58071864	1	TIP	
5,1	58071864	1	TIP	
4	58071872	1	ARM	
5	58071873	1	RIGHT ARM	
12,3	58072053	1	ROD	
12,5	58072054	1	PIPE	
12,6	58072055	1	ROD	
12	58072056	2	ROD	
16	58170449	1	RETAINING SPRING	
6	58171000	2	JOINT	
13,6	58171004	1	TIP	
13,5	58171005	1	BODY	
13,4	58171006	1	RETAINING WASHER	

SERIAL

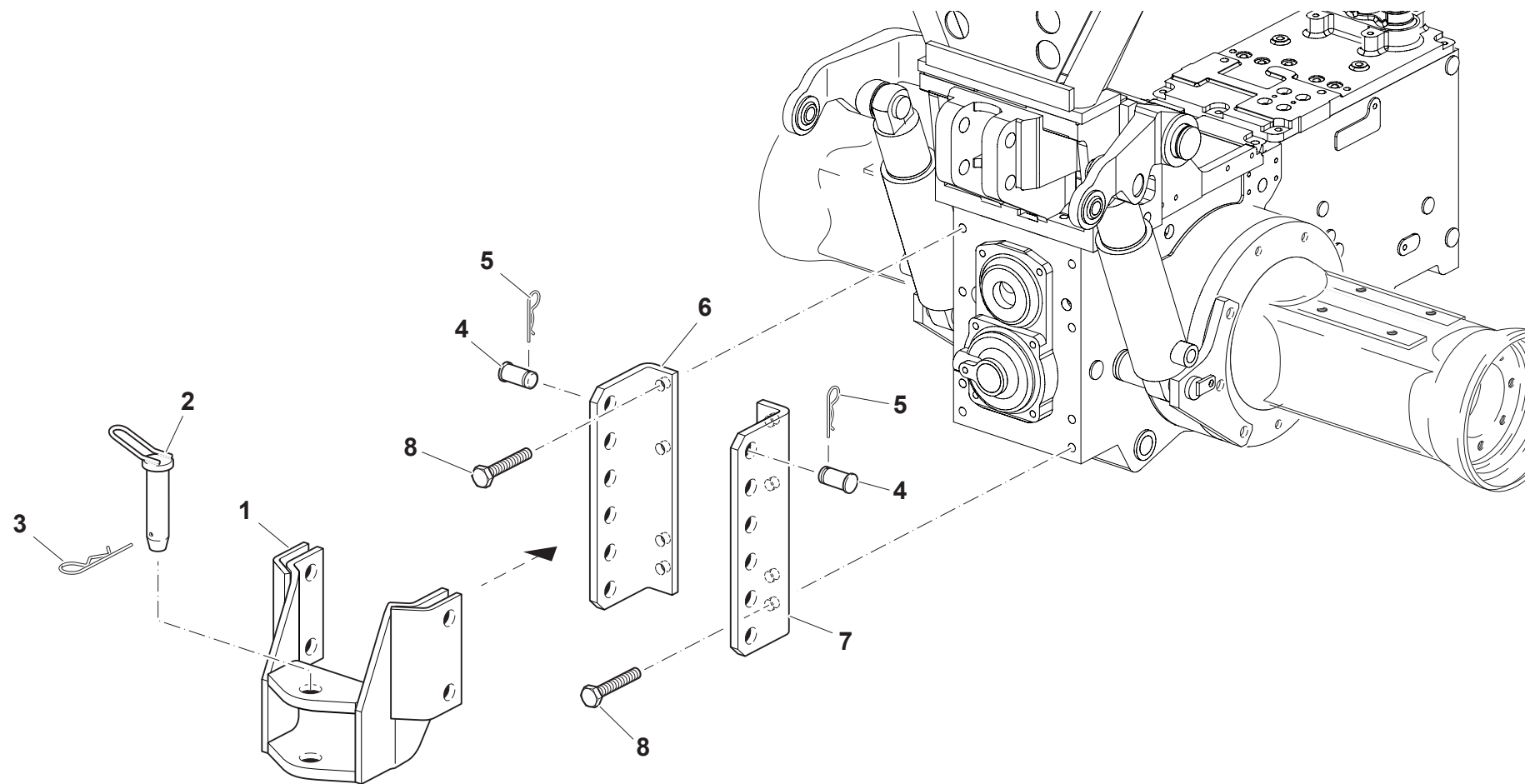
IMPLEMENTS ATTACHMENT - ADJUSTABLE ARMS WITH QUICK HITCHES

CODE REV

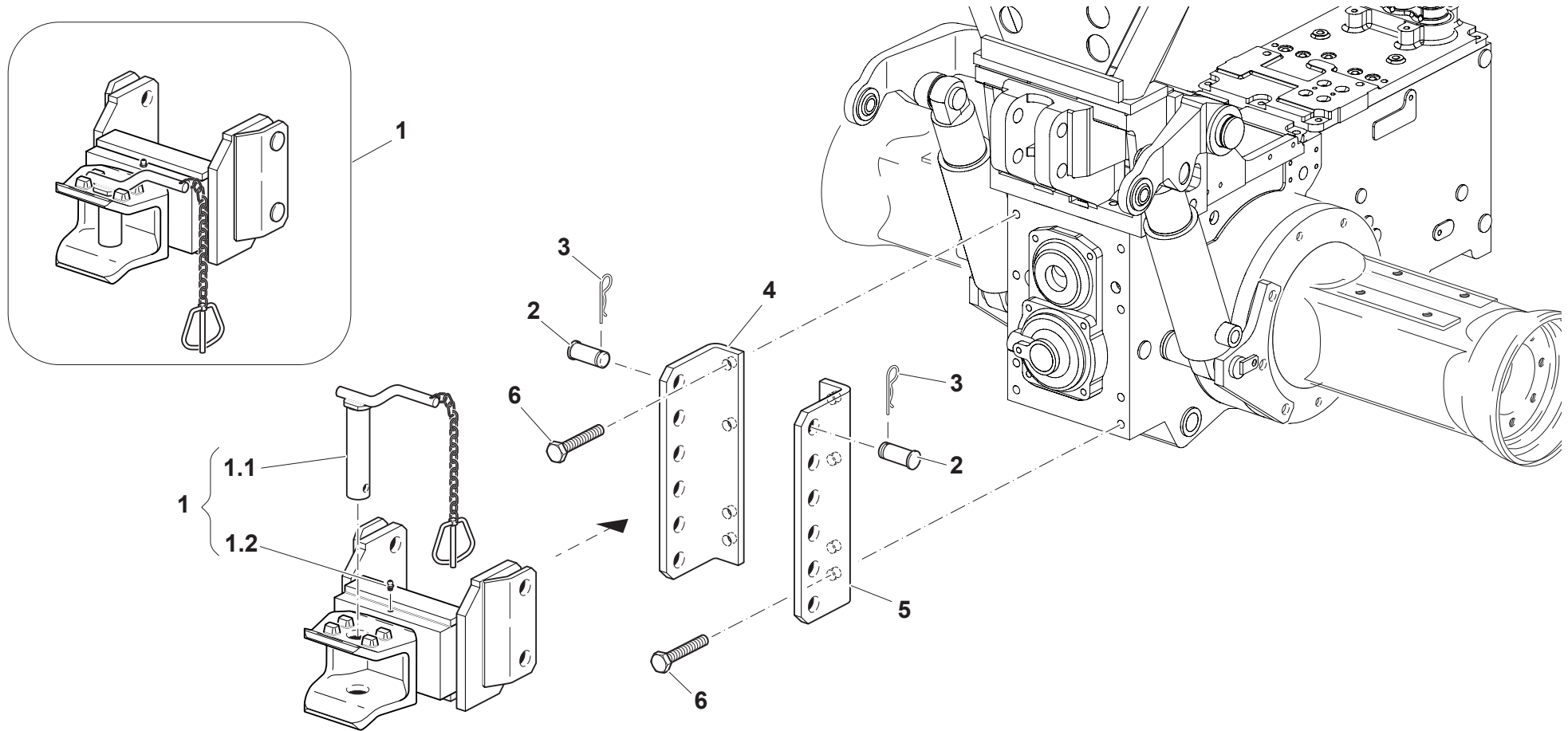
T.01.02.L50017_0



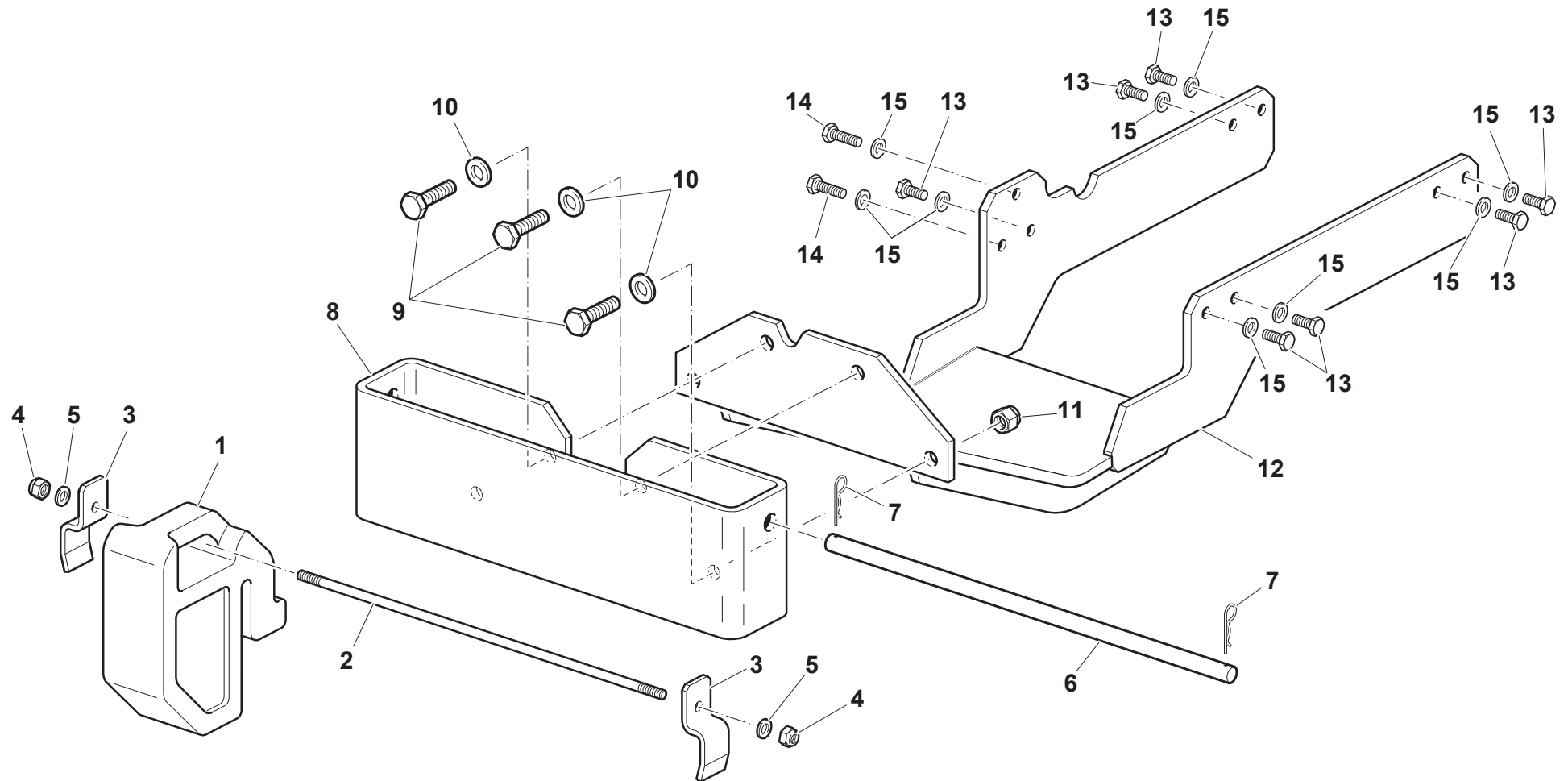
Pos.	Code	Q.ty	Description	Notes
13,1	58171007	1	TIP	
7	58171021	2	REDUCING BUSH	
13,2	58173072	1	JOINT	
8	59070316	2	SUPPORT	
17	59070448	1	FIXING BRACKET	
2	F0810622010	2	FRONT COVER	
11,8	F0814907000	1	NUT M24X2	
12,4	F0814907000	1	NUT M24X2	
15	F0843643060	2	WASHER 8	
10	F0843755000	8	WASHER 10	
12,2	F0851486000	3	SPLIT PIN	
4,5	F0851486000		SPLIT PIN	
5,5	F0851486000		SPLIT PIN	
4,2	F0852107050	1	PISTON PIN	
5,2	F0852107050	1	PISTON PIN	
11,1	F0864379010	1	SCREW M16X80 UNI 5737	



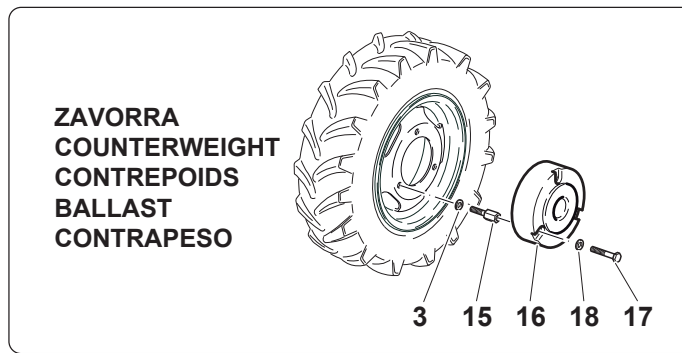
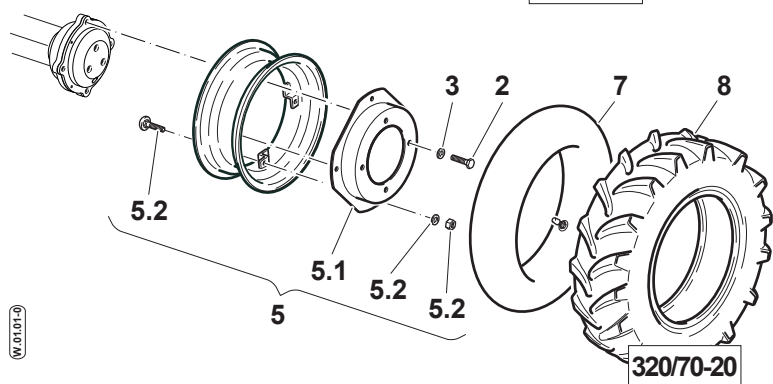
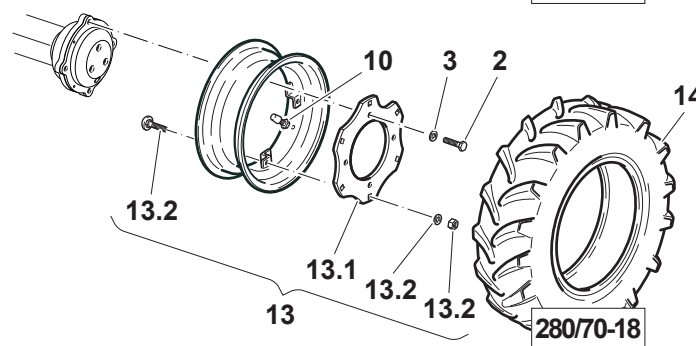
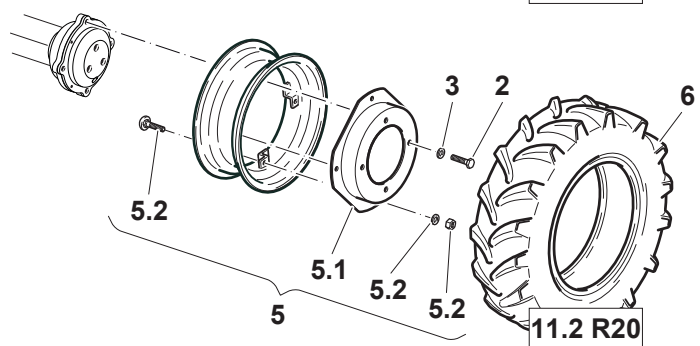
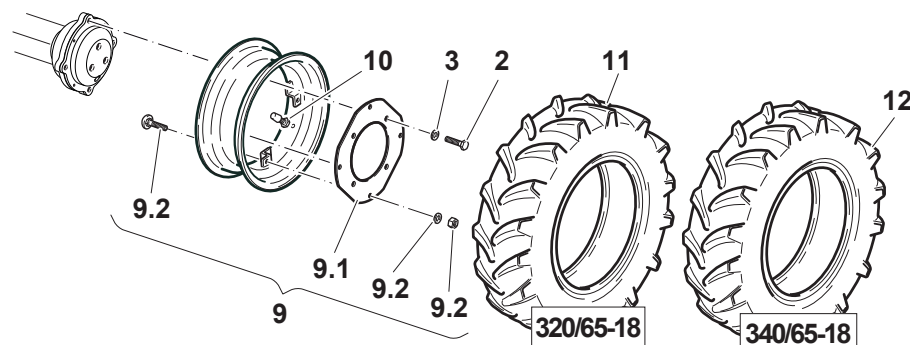
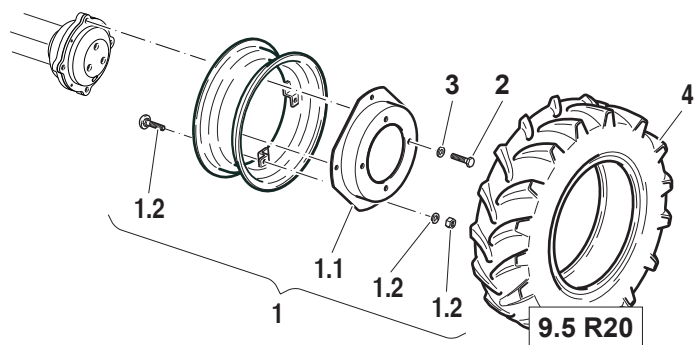
Pos.	Code	Q.ty	Description	Notes
6	56170704	1	SUPPORT	
7	56170705	1	SUPPORT	
4	56370696	2	PIN	
1	59070702	1	TOW HOOK	
2	F0808060100	1	LATCH D.28X117	
5	F0851486000	2	SPLIT PIN	
3	F0851497000	1	SPLIT PIN	
8	F0864180000	8	SCREW M14X30 UNI 5740	



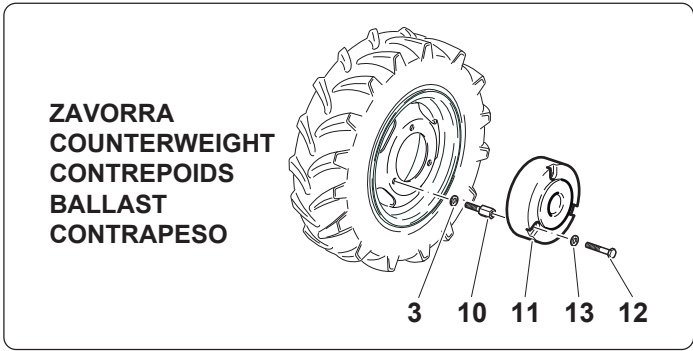
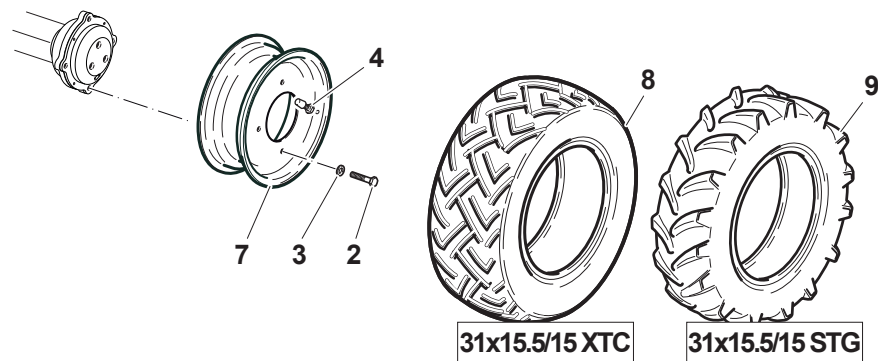
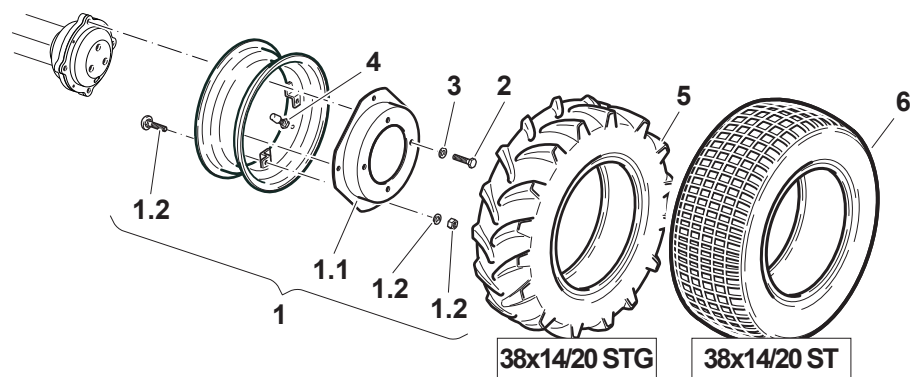
Pos.	Code	Q.ty	Description	Notes
4	56170704	1	SUPPORT	
5	56170705	1	SUPPORT	
2	56375008	2	PIN	
1,1	59075012	1	PIN	
1	59375009	1	TOW HOOK	
1,2	F0826056000	1	LUBRICATOR M10 UNI 7663A	
3	F0851486000	2	SPLIT PIN	
6	F0864180000	8	SCREW M14X30 UNI 5740	



Pos.	Code	Q.ty	Description	Notes
14	31112212	2	SCREW TE M10X35 UNI 5739	
13	31112219	7	SCREW TE M10X25 UNI 5739	
4	31241100	2	SELFLOCK HEXAGON NUT M10	
5	31411105	2	WASHER 10,5x21	
6	56075237	1	ROD	
2	56075238	1	ROD	
8	59075239	1	BALLAST CARRIER	
12	59075438	1	BRACE	
1	F0150051050	6	FRONT BALLAST	
3	F0150051145	2	SQUARE	
11	F0814756000	2	NUT M14	
15	F0843755000	9	WASHER 10	
10	F0843921030	4	WASHER 14	
7	F0851486000	2	SPLIT PIN	
9	F0864245000	4	SCREW M14X45 UNI 5737	



Pos.	Code	Q.ty	Description	Notes
16	51170540	1	BALLAST	
15	56370539	4	SCREW	
1,1	58170181	1	DISC	
5,1	58170181	1	DISC	
13,1	58175393	1	FLANGIA CERCHIO W8X18 RAL 1003	
9,1	58175630	1	RIM	
5	59270303	1	RIM	
1	59270304	1	RIM	
13	59275396	1	RIM	
9	59275632	1	RIM	
1,2	59900361	1	KIT	
5,2	59900361	1	KIT	
9,2	59900361	1	KIT	
13,2	59900362	1	KIT	
10	F0150010905	1	VALVE	
18	F0843993060	4	WASHER	
3	F0844150000	4	WASHER D.30x18,5/5	
14	F0848655100	1	TYRE 280/70R18	
4	F0848664000	1	TYRE 9.5-R20	
8	F0848679500	1	TYRE 320/70R20	
11	F0848679600	1	TYRE	
6	F0848680000	1	TYRE 11.2-R20	
7	F0848940000	1	INNER TUBE	
17	F0864314000	4	SCREW	
2	F0864410500	4	SCREW M18X1,5/45 U/5740	
12	P00000009122	1	TYRE 340/65R18	



Pos.	Code	Q.ty	Description	Notes
11	51170540	1	BALLAST	
10	56370539	4	SCREW	
1,1	58170181	1	DISC	
7	58175205	1	RIM	
1	59270302	1	RIM	
1,2	59900361	1	KIT	
4	F0150010905	1	VALVE	
13	F0843993060	4	WASHER	
3	F0844150000	4	WASHER D.30x18,5/5	
8	F0848681600	1	TYRE 31X15.5-15 8PR	
9	F0848681605	2	TYRE 31X15.5-15	
6	F0848683000	1	TYRE	
5	F0848683500	1	TYRE 38X14.00-20 8PR	
12	F0864314000	4	SCREW	
2	F0864410500	4	SCREW M18X1,5/45 U/5740	

SPARE PARTS INSTANCE INDEX





SPARE PARTS INSTANCE INDEX

Code	Parts Table	Pos.	Q.ty
30000007	D.03.01.L50017_0	24	1
30000211	F.03.02.L50020_0	34	2
30000506	E.03.02.L50020_0	16	1
30000514	B.03.01.L50017_0	38	1
30000614	B.08.01.L50017_0	8	1
	B.08.01.L50017_1	8	1
	B.08.01.L50017_2	8	1
30000777	F.01.02.L50018_0	8	1
31111090	F.04.01.L50017_0	26	1
	M.02.01.L50017_0	48	4
	M.02.02.L50017_0	48	
31111091	B.02.01.L50017_0	14	2
	M.01.01.L50017_0	62	1
31111151	B.01.02.L50018_0	18	1
	B.05.01.L50017_0	38	6
	B.10.01.L50020_0	40	4
	B.12.02.L50017_0	10	4
	C.01.01.L50017_0	35	2
	F.01.02.L50018_0	21	7
	L.02.01.L50017_0	8	1
	L.02.01.L50017_1	8	1
	L.02.02.L50017_0	8	1
	L.02.02.L50017_1	8	1
	L.02.03.L50020_0	8	1
	M.02.01.L50017_0	36	3
	M.02.01.L50017_0	8	1
	M.02.02.L50017_0	36	
	M.02.02.L50017_0	8	
31111218	A.05.01.L50017_0	14	2
31111331	B.01.02.L50018_0	2	4
31112051	A.02.04.L50021_0	22	1
31112060	B.03.01.L50017_0	14	16
	B.05.01.L50017_0	14	14
31112082	A.04.01.L50017_0	9	1

Code	Parts Table	Pos.	Q.ty
31112082	B.01.02.L50018_0	23	12
	C.01.01.L50017_0	46	10
	L.01.01.L50017_0	14	2
	M.01.01.L50017_0	15	2
31112086	F.03.02.L50020_0	7	2
31112090	A.01.02.L50018_0	10	1
	A.01.02.L50018_1	10	1
	C.01.01.L50017_0	3	4
	F.02.02.L50018_0	6	5
	F.03.02.L50020_0	40	1
31112093	M.01.01.L50017_0	56	2
31112146	B.03.01.L50017_0	27	4
	B.05.01.L50017_0	44	4
	B.10.01.L50020_0	14	2
	C.02.01.L50017_0	10	2
	D.07.01.L50017_0	11	4
	D.15.02.L50020_0	36	4
31112147	D.15.02.L50020_0	29	2
31112148	A.02.04.L50021_0	13	4
	D.02.01.L50017_0	3	6
	D.02.01.L50017_1	3	6
31112149	B.04.02.L50020_0	24	6
	B.08.01.L50017_0	23	2
	B.08.01.L50017_1	23	2
	B.08.01.L50017_2	23	2
	L.01.01.L50017_0	9	2
	M.01.01.L50017_0	10	2
	M.02.01.L50017_0	29	1
	M.02.02.L50017_0	29	
31112150	A.01.02.L50018_0	3	6
	A.01.02.L50018_1	3	6
	A.02.04.L50021_0	6	1
	A.05.01.L50017_0	26	1
	B.01.02.L50018_0	5	2

Code	Parts Table	Pos.	Q.ty
31112150	B.02.01.L50017_0	8	2
	D.13.01.L50017_0	7	1
	F.03.02.L50020_0	26	2
	F.04.01.L50017_0	2	2
	L.01.01.L50017_0	25	2
	L.02.01.L50017_0	22	4
	L.02.01.L50017_1	22	4
	L.02.02.L50017_0	23	4
	L.02.02.L50017_1	23	4
	L.02.03.L50020_0	17	3
	M.01.01.L50017_0	35	2
	M.02.01.L50017_0	23	4
	M.02.01.L50017_0	34	2
	M.02.02.L50017_0	23	
	M.02.02.L50017_0	34	
	T.01.01.L50017_0	11	2
	T.01.02.L50017_0	14	2
31112151	A.03.02.L50018_0	11	1
	B.01.02.L50018_0	8	1
	B.10.01.L50020_0	17	2
	C.03.01.L50017_0	3	6
	D.15.02.L50020_0	24	1
	L.02.03.L50020_0	18	2
31112152	A.01.02.L50018_0	20	1
	A.01.02.L50018_1	20	1
	B.03.01.L50017_0	26	4
	B.05.01.L50017_0	37	4
	D.07.01.L50017_0	12	3
31112155	F.01.02.L50018_0	5	4
31112161	D.11.01.L50017_0	3	2
31112174	A.01.02.L50018_0	16	1
	A.01.02.L50018_1	16	1
31112208	B.05.01.L50017_0	40	2
31112210	A.01.02.L50018_0	24	2

SPARE PARTS INSTANCE INDEX

Code	Parts Table	Pos.	Q.ty	Code	Parts Table	Pos.	Q.ty	Code	Parts Table	Pos.	Q.ty
31112210	A.01.02.L50018_1	24	2	31132566	D.13.01.L50017_0	6	1	31211100	L.02.02.L50017_1	15	4
	E.02.02.L50018_0	5	1	31152057	L.02.01.L50017_0	3	2		L.02.03.L50020_0	12	4
	F.01.02.L50018_0	23	4		L.02.01.L50017_1	3	2		M.02.01.L50017_0	15	3
	F.02.02.L50018_0	9	2		L.02.02.L50017_0	3	2		M.02.02.L50017_0	15	
	F.03.02.L50020_0	2	1		L.02.02.L50017_1	3	2	31212060	A.01.02.L50018_0	12	1
31112211	A.01.02.L50018_0	19	1		L.02.03.L50020_0	3	2		A.01.02.L50018_1	12	1
	A.01.02.L50018_1	19	1		M.02.01.L50017_0	3	2		B.02.01.L50017_0	16	2
	B.04.02.L50020_0	15	2		M.02.02.L50017_0	3			F.02.02.L50018_0	8	5
	B.05.01.L50017_0	32	8	31152060	A.02.04.L50021_0	17	1	31212100	B.05.01.L50017_0	42	2
	C.01.01.L50017_0	6	2	31152066	B.10.01.L50020_0	12	4	31231080	A.02.04.L50021_0	20	3
	F.03.02.L50020_0	6	2	31152068	A.02.04.L50021_0	18	1		B.01.02.L50018_0	15	1
	L.01.01.L50017_0	3	5	31152083	F.01.02.L50018_0	2	4	31241051	B.03.01.L50017_0	7	20
	M.01.01.L50017_0	3	4		F.02.02.L50018_0	2	4		B.05.01.L50017_0	7	18
	T.01.01.L50017_0	6	8	31152084	L.02.03.L50020_0	21	2	31241080	B.01.02.L50018_0	11	1
	T.01.02.L50017_0	9	8	31152085	D.11.01.L50017_0	2	2	31241100	T.04.01.L50018_0	4	2
31112212	C.01.01.L50017_0	7	7	31152088	B.02.01.L50017_0	11	2	31241121	M.01.01.L50017_0	50	2
	T.04.01.L50018_0	14	2	31152097	M.01.01.L50017_0	47	2	31241140	B.03.01.L50017_0	35	2
31112213	C.01.01.L50017_0	8	1	31200501	A.04.01.L50017_0	5	1	31241142	C.01.01.L50017_0	41	2
31112217	M.01.01.L50017_0	5	1		A.04.02.L50017_0	5	1	31241160	T.01.01.L50017_0	8,2	1
31112219	A.01.02.L50018_0	6	4	31211050	A.02.04.L50021_0	25	1		T.01.02.L50017_0	11,2	1
	A.01.02.L50018_1	6	4	31211060	B.04.02.L50020_0	21	4	31312089	D.12.01.L50017_0	55	4
	A.03.02.L50018_0	9	2		B.05.01.L50017_0	19	8		D.12.01.L50017_1	59	4
	B.04.02.L50020_0	7	4	31211080	B.04.02.L50020_0	14	4	31313300	C.03.01.L50017_0	7	10
	F.03.02.L50020_0	3	3		D.12.01.L50017_1	60	6	31313320	C.03.01.L50017_0	8	6
	L.01.01.L50017_0	2	1		L.02.01.L50017_0	20	3	31411053	A.02.04.L50021_0	23	1
	M.01.01.L50017_0	2	1		L.02.01.L50017_1	20	3	31411054	B.03.01.L50017_0	6	16
	T.04.01.L50018_0	13	7		L.02.02.L50017_0	21	3		B.05.01.L50017_0	6	14
31112264	B.05.01.L50017_0	48	2		L.02.02.L50017_1	21	3	31411064	B.03.01.L50017_0	9	2
31112265	B.05.01.L50017_0	49	2		L.02.03.L50020_0	19	1		B.05.01.L50017_0	9	4
31112272	B.03.01.L50017_0	30	8		M.02.01.L50017_0	21	3		F.03.02.L50020_0	42	1
31112328	B.01.02.L50018_0	26	2		M.02.02.L50017_0	21		31411066	B.04.02.L50020_0	30	4
31122804	B.04.02.L50020_0	9	4	31211100	L.02.01.L50017_0	14	4		B.05.01.L50017_0	17	8
31132440	B.10.01.L50020_0	23	4		L.02.01.L50017_1	14	4	31411084	B.01.02.L50018_0	6	3
31132562	A.02.04.L50021_0	2	2		L.02.02.L50017_0	15	4		B.02.01.L50017_0	4	3

SPARE PARTS INSTANCE INDEX

Code	Parts Table	Pos.	Q.ty	Code	Parts Table	Pos.	Q.ty	Code	Parts Table	Pos.	Q.ty
31411084	B.03.01.L50017_0	22	4	34110029	T.01.02.L50017_0	11,4	2	38116317	D.12.01.L50017_1	53	1
	B.05.01.L50017_0	28	16	34110030	M.01.01.L50017_0	59	1	38118720	D.12.01.L50017_0	50	1
	B.08.01.L50017_0	17	4	34211054	D.13.01.L50017_0	4	2		D.12.01.L50017_1	54	1
	B.08.01.L50017_0	24	2	34213018	B.10.01.L50020_0	46	1	41S50000	A.01.02.L50018_0	1	1
	B.08.01.L50017_1	17	4	34321066	D.15.02.L50020_0	8	2	41S50001	A.01.02.L50018_1	1	1
	B.08.01.L50017_1	24	2	35111047	D.12.01.L50017_0	4	1	50970418	D.15.02.L50020_0	33	2
	B.08.01.L50017_2	17	4		D.12.01.L50017_1	4	1	50973415	M.01.01.L50017_0	40	2
	B.10.01.L50020_0	7	4	35111052	D.05.01.L50017_0	10	1	51170020	C.03.01.L50017_0	6	2
	D.03.01.L50017_0	30	1	35111062	D.09.01.L50017_0	2	2	51170540	W.01.01.L50017_0	16	1
	F.03.02.L50020_0	28	2	35111080	D.02.01.L50017_0	13	2		W.01.02.L50017_0	11	1
31411090	A.01.02.L50018_0	22	1		D.02.01.L50017_1	13	4	51172005	D.10.01.L50017_0	3	1
	A.01.02.L50018_1	22	1	35121014	D.08.01.L50017_0	1	0	51173371	M.01.01.L50017_0	49	1
	B.01.02.L50018_0	10	1	35121030	D.02.01.L50017_0	6	2	51173650	C.03.01.L50017_0	2	1
	B.04.02.L50020_0	13	4		D.02.01.L50017_1	6	2	51173803	C.03.01.L50017_0	11	1
31411104	M.01.01.L50017_0	22	3	35121040	D.04.01.L50017_0	11	2	51173804	C.03.01.L50017_0	10	1
31411105	A.01.02.L50018_0	7	2		D.12.01.L50017_0	9	1	51173821	C.03.01.L50017_0	1	1
	A.01.02.L50018_1	7	2		D.12.01.L50017_1	8	1	51174047	M.01.01.L50017_0	1	1
	B.05.01.L50017_0	41	2	35211060	B.02.01.L50017_0	19	1	51174315	L.01.01.L50017_0	1	1
	D.03.01.L50017_0	26	1	35211070	M.01.01.L50017_0	27	2	51174394	D.07.01.L50017_0	9	1
	D.03.01.L50017_0	49	1	37111254	D.09.01.L50017_0	3	1	51174448	C.01.01.L50017_0	1	1
	D.15.02.L50020_0	23	3	37111255	D.05.01.L50017_0	9	1	51174467	C.01.01.L50017_0	2	1
	T.04.01.L50018_0	5	2	37111354	D.02.01.L50017_0	14	1	51175212	B.10.01.L50020_0	25	1
31411130	D.14.01.L50017_0	9	2		D.02.01.L50017_1	14	1	51175800	B.01.02.L50018_0	1	1
	D.15.02.L50020_0	16	2	37111404	D.12.01.L50017_0	27	1	51270090	C.01.01.L50017_0	18	2
31411150	B.01.02.L50018_0	28	2	38104412	D.02.01.L50017_0	24	1	51270096	C.01.01.L50017_0	16	1
	D.15.02.L50020_0	26	2		D.02.01.L50017_1	23	1	51270103	C.01.01.L50017_0	15	1
31421083	A.01.02.L50018_0	21	1	38111078	D.13.01.L50017_0	16	2	51270174	D.11.01.L50017_0	8	1
	A.01.02.L50018_1	21	1	38112200	D.13.01.L50017_0	3	1	51270203	D.11.01.L50017_0	13	1
	D.02.01.L50017_0	4	6		F.01.02.L50018_0	6	2	51270771	D.07.01.L50017_0	32	1
	D.02.01.L50017_1	4	6	38112507	D.02.01.L50017_0	8	1	51273893	D.07.01.L50017_0	31	1
31510053	B.08.01.L50017_0	6	6		D.02.01.L50017_1	8	1	51274080	D.13.01.L50017_0	13	1
	B.08.01.L50017_1	6	6		F.01.02.L50018_0	30	1	51274388	B.10.01.L50020_0	26	1
	B.08.01.L50017_2	6	6	38114070	D.08.01.L50017_0	8	0	51274498	B.10.01.L50020_0	27	1
34110029	T.01.01.L50017_0	8,4	2	38116317	D.12.01.L50017_0	49	1	51371035	D.01.01.L50017_0	22	1



SPARE PARTS INSTANCE INDEX

Code	Parts Table	Pos.	Q.ty	Code	Parts Table	Pos.	Q.ty	Code	Parts Table	Pos.	Q.ty
51371035	D.09.01.L50017_0	11	1	52470762	D.04.01.L50017_0	18	1	52573648	D.02.01.L50017_0	20	1
52071702	L.01.01.L50017_0	13	1	52473655	D.02.01.L50017_0	34	1		D.02.01.L50017_1	19	1
	M.01.01.L50017_0	14	1		D.02.01.L50017_1	33	1	53273025	D.02.01.L50017_0	25	1
52074435	D.08.01.L50017_0	15	0	52473656	D.04.01.L50017_0	24	1		D.02.01.L50017_1	24	1
52272112	D.07.01.L50017_0	28	1	52473658	D.02.01.L50017_0	10	1	53273886	D.12.01.L50017_0	30	1
52273364	D.07.01.L50017_0	29	1		D.02.01.L50017_1	10	1		D.12.01.L50017_1	32	1
52274299	D.07.01.L50017_0	26	1	52473827	D.05.01.L50017_0	8	1	53273891	D.12.01.L50017_0	51	1
52370072	D.10.01.L50017_0	6	1	52473828	D.05.01.L50017_0	3	1		D.12.01.L50017_1	55	1
52370075	D.10.01.L50017_0	5	1	52473829	D.05.01.L50017_0	5	1	55072935	B.05.01.L50017_0	16	4
52370083	C.01.01.L50017_0	24	2	52473830	D.05.01.L50017_0	6	1	55170047	D.14.01.L50017_0	7	2
52370152	D.13.01.L50017_0	2	1	52473831	D.05.01.L50017_0	7	1	55170053	D.07.01.L50017_0	6	3
52372292	D.12.01.L50017_0	35	1	52473838	D.04.01.L50017_0	5	1	55172355	A.04.01.L50017_0	7	1
	D.12.01.L50017_1	37	1	52473839	D.04.01.L50017_0	9	1	55174162	B.10.01.L50020_0	32	1
52373177	D.15.02.L50020_0	13	2	52473873	D.12.01.L50017_0	3	1	55174163	B.10.01.L50020_0	31	2
52374189	D.07.01.L50017_0	02-feb	2	52473874	D.12.01.L50017_0	13	1	55174632	A.03.02.L50018_0	17	1
52374297	D.07.01.L50017_0	27	2	52473875	D.12.01.L50017_0	19	1	55174633	A.03.02.L50018_0	18	1
52374298	D.07.01.L50017_0	30	1	52473876	D.12.01.L50017_0	23	1	55174760	A.04.01.L50017_0	15	1
52374386	D.07.01.L50017_0	03-feb	1	52473881	D.12.01.L50017_0	41	1		A.04.02.L50017_0	10	1
52374641	D.11.01.L50017_0	1	1	52473885	D.12.01.L50017_0	40	1	55174761	A.04.01.L50017_0	17	1
52374703	C.01.01.L50017_0	20	1	52473894	D.12.01.L50017_0	42	1		A.04.02.L50017_0	12	1
52374704	C.01.01.L50017_0	19	1	52474254	D.04.01.L50017_0	17	1	55175174	B.04.02.L50020_0	12	6
52375215	D.15.02.L50020_0	17	1	52475059	D.12.01.L50017_0	18	1		B.05.01.L50017_0	36	8
52470061	D.09.01.L50017_0	7	1	52475060	D.12.01.L50017_0	16	1	55271644	B.08.01.L50017_0	05-feb	1
52470062	D.09.01.L50017_0	6	1	52475073	D.04.01.L50017_0	20	1		B.08.01.L50017_1	05-feb	1
52470063	D.01.01.L50017_0	18	1	52475551	D.12.01.L50017_1	45	1		B.08.01.L50017_2	5,2	1
52470064	D.01.01.L50017_0	17	1	52475552	D.12.01.L50017_1	43/01	1	55271852	B.08.01.L50017_0	05-gen	1
52470067	D.01.01.L50017_0	21	2	52475554	D.12.01.L50017_1	23	1		B.08.01.L50017_1	05-gen	1
	D.09.01.L50017_0	8	2	52475562	D.12.01.L50017_1	31	1		B.08.01.L50017_2	5,1	1
52470086	D.01.01.L50017_0	28	2	52475565	D.12.01.L50017_1	42	1	55274314	A.05.01.L50017_0	1	1
52470087	D.10.01.L50017_0	11	3	52476062	D.12.01.L50017_1	16	1	55274441	B.08.01.L50017_0	4	1
52470105	D.09.01.L50017_0	16	1	52476063	D.12.01.L50017_1	21-gen	1		B.08.01.L50017_1	4	1
52470106	D.09.01.L50017_0	15	1	52476067	D.12.01.L50017_1	19	1		B.08.01.L50017_2	4	1
52470298	D.12.01.L50017_0	8	1	52476068	D.12.01.L50017_1	15	1	56071768	A.02.04.L50021_0	12	4
	D.12.01.L50017_1	7	1	52476868	D.12.01.L50017_1	3	1	56073059	T.01.01.L50017_0	10,2	1

SPARE PARTS INSTANCE INDEX

Code	Parts Table	Pos.	Q.ty	Code	Parts Table	Pos.	Q.ty	Code	Parts Table	Pos.	Q.ty
56073059	T.01.02.L50017_0	13,3	1	56170214	D.01.01.L50017_0	7	1	56171172	C.01.01.L50017_0	38	2
56073413	M.01.01.L50017_0	44	2	56170221	C.01.01.L50017_0	26		56171223	B.12.02.L50017_0	13	1
56073414	M.01.01.L50017_0	41	2	56170222	C.01.01.L50017_0	26		56171572	D.12.01.L50017_0	1	1
56073416	M.01.01.L50017_0	45	1	56170223	C.01.01.L50017_0	26			D.12.01.L50017_1	1	1
56074302	D.03.01.L50017_0	28	1	56170226	C.01.01.L50017_0	37	2	56171877	A.02.04.L50021_0	3	1
56074313	D.12.01.L50017_0	60	1	56170275	A.05.01.L50017_0	9	3	56171883	A.02.04.L50021_0	4	1
	D.12.01.L50017_1	64	1	56170276	A.05.01.L50017_0	16	2	56171936	D.15.02.L50020_0	21	1
56074712	C.01.01.L50017_0	40	2	56170283	L.01.01.L50017_0	27	2	56171954	B.04.02.L50020_0	16	2
56075120	A.01.02.L50018_0	26	1		M.01.01.L50017_0	37	2		B.05.01.L50017_0	35	8
	A.01.02.L50018_1	26	1	56170285	L.01.01.L50017_0	29	2	56171996	B.04.02.L50020_0	11	4
56075143	M.01.01.L50017_0	58	1		M.01.01.L50017_0	39	2	56172072	F.04.01.L50017_0	15	1
56075145	M.01.01.L50017_0	26	1	56170286	L.01.01.L50017_0	28	2	56172172	B.12.01.L50017_0	06-feb	1
56075161	M.02.01.L50017_0	33	1		M.01.01.L50017_0	38	2	56172538	C.01.01.L50017_0	45	1
	M.02.02.L50017_0	33		56170350	F.01.02.L50018_0	15	3	56172547	F.02.02.L50018_0	12	1
56075183	M.02.01.L50017_0	46	1	56170351	F.01.02.L50018_0	19	1	56172749	F.04.01.L50017_0	4	1
	M.02.02.L50017_0	46		56170364	C.02.01.L50017_0	9	2	56172950	A.05.01.L50017_0	20	1
56075184	M.02.01.L50017_0	47	1	56170367	D.15.02.L50020_0	9	2	56173353	C.01.01.L50017_0	26	
	M.02.02.L50017_0	47		56170392	T.01.01.L50017_0	3	2	56173638	L.01.01.L50017_0	8	1
56075197	M.02.01.L50017_0	42	1		T.01.02.L50017_0	3	2		M.01.01.L50017_0	9	1
	M.02.02.L50017_0	42		56170447	D.13.01.L50017_0	11	1	56173684	D.03.01.L50017_0	23	1
56075198	M.02.01.L50017_0	43	1	56170704	T.03.01.L50003_0	6	1	56174108	D.12.01.L50017_0	5	1
	M.02.02.L50017_0	43			T.03.02.L50003_0	4	1		D.12.01.L50017_1	5	1
56075230	D.03.01.L50017_0	46	1	56170705	T.03.01.L50003_0	7	1	56174135	B.03.01.L50017_0	17	2
56075237	T.04.01.L50018_0	6	1		T.03.02.L50003_0	5	1	56174202	L.02.01.L50017_0	21	1
56075238	T.04.01.L50018_0	2	1	56170779	L.02.03.L50020_0	23	1		L.02.01.L50017_1	21	1
56075251	M.02.01.L50017_0	38	1	56170795	D.15.02.L50020_0	11	1		L.02.02.L50017_0	22	1
	M.02.02.L50017_0	38		56170796	D.15.02.L50020_0	12	1		L.02.02.L50017_1	22	1
56076074	D.12.01.L50017_1	18	1	56170964	L.02.01.L50017_0	15	4		L.02.03.L50020_0	16	1
56170017	D.07.01.L50017_0	16	1		L.02.01.L50017_1	15	4	56174337	B.05.01.L50017_0	15	2
56170029	D.03.01.L50017_0	15	1		L.02.02.L50017_0	16	4	56174400	D.03.01.L50017_0	47	1
56170043	D.14.01.L50017_0	8	2		L.02.02.L50017_1	16	4	56174401	D.03.01.L50017_0	48	1
56170074	D.10.01.L50017_0	9	1		L.02.03.L50020_0	13	4	56174431	D.13.01.L50017_0	10	1
56170082	C.01.01.L50017_0	26			M.02.01.L50017_0	16	3	56174461	B.10.01.L50020_0	41	1
56170213	D.01.01.L50017_0	9	1		M.02.02.L50017_0	16		56174462	B.10.01.L50020_0	36	1



SPARE PARTS INSTANCE INDEX

Code	Parts Table	Pos.	Q.ty	Code	Parts Table	Pos.	Q.ty	Code	Parts Table	Pos.	Q.ty
56174463	B.10.01.L50020_0	44	1	56174659	B.01.02.L50018_0	9	1	56274487	B.10.01.L50020_0	34	2
56174464	B.10.01.L50020_0	10	1	56174660	A.02.04.L50021_0	21	1	56276371	C.02.01.L50017_0	1,2	1
56174480	F.03.02.L50020_0	10	1	56174661	A.02.04.L50021_0	16	1	56276372	C.02.01.L50017_0	1,1	1
56174481	F.03.02.L50020_0	9	1	56174665	F.04.01.L50017_0	1	1	56370018	D.07.01.L50017_0	10	6
56174485	F.03.02.L50020_0	30	1	56174691	B.01.02.L50018_0	17	1	56370037	D.02.01.L50017_0	32	1
56174486	B.10.01.L50020_0	13	1	56174725	F.01.02.L50018_0	20	2		D.02.01.L50017_1	31	1
56174492	B.10.01.L50020_0	2	2	56174728	A.01.02.L50018_0	18	1	56370038	D.14.01.L50017_0	4	2
56174494	F.03.02.L50020_0	46	1		A.01.02.L50018_1	18	1	56370076	D.10.01.L50017_0	10	6
56174499	B.10.01.L50020_0	19	1	56174730	B.10.01.L50020_0	16	1	56370079	D.10.01.L50017_0	7	1
56174527	B.04.02.L50020_0	22	1	56174773	B.10.01.L50020_0	11	1	56370081	C.01.01.L50017_0	4	2
56174569	B.02.01.L50017_0	1,1	1	56174835	B.02.01.L50017_0	18	1		D.10.01.L50017_0	15	1
56174579	B.03.01.L50017_0	25	2	56174873	B.01.02.L50018_0	25	1		L.02.02.L50017_0	41	1
56174582	B.05.01.L50017_0	43	2	56174919	C.01.01.L50017_0	43	1		L.02.02.L50017_1	42	1
56174618	A.05.01.L50017_0	25	1	56174920	C.01.01.L50017_0	44	1		M.02.01.L50017_0	61	1
56174619	A.05.01.L50017_0	5	1	56174976	A.04.02.L50017_0	8	1		M.02.02.L50017_0	61	
56174620	A.05.01.L50017_0	6	2	56174987	F.02.02.L50018_0	4	1	56370089	D.01.01.L50017_0	16	
56174621	A.05.01.L50017_0	7	1	56174988	F.02.02.L50018_0	5	1		D.09.01.L50017_0	14	
56174622	A.05.01.L50017_0	8	2	56175158	B.01.02.L50018_0	21	1	56370127	D.01.01.L50017_0	16	
56174629	A.03.02.L50018_0	4	1	56175177	B.03.01.L50017_0	12	12		D.09.01.L50017_0	14	
56174631	A.03.02.L50018_0	10	1		B.05.01.L50017_0	12	10	56370128	D.01.01.L50017_0	16	
56174635	A.04.01.L50017_0	3	1	56175189	A.01.02.L50018_0	5	1		D.09.01.L50017_0	14	
	A.04.02.L50017_0	3	1		A.01.02.L50018_1	5	1	56370154	D.07.01.L50017_0	25	1
56174636	A.04.01.L50017_0	2	1	56175206	B.12.01.L50017_0	15	1	56370165	D.07.01.L50017_0	23	1
	A.04.02.L50017_0	2	1	56175227	M.02.01.L50017_0	22	1	56370172	D.07.01.L50017_0	19	3
56174637	A.04.01.L50017_0	12	1		M.02.02.L50017_0	22		56370177	D.07.01.L50017_0	22	1
56174647	B.02.01.L50017_0	1,3	1	56175294	F.02.02.L50018_0	18	1	56370178	D.12.01.L50017_0	6	1
56174648	B.02.01.L50017_0	1,4	1	56175364	B.02.01.L50017_0	1,8	1		D.12.01.L50017_1	6	1
56174649	B.02.01.L50017_0	1,2	1	56175365	B.02.01.L50017_0	1,6	1		D.13.01.L50017_0	14	1
56174650	B.02.01.L50017_0	1,5	1	56175388	L.02.03.L50020_0	20	1	56370186	D.07.01.L50017_0	14	5
56174651	B.02.01.L50017_0	1,7	1	56175540	B.03.01.L50017_0	32	2	56370187	D.11.01.L50017_0	5	1
56174654	B.02.01.L50017_0	7	1	56175670	D.02.01.L50017_0	15	1	56370204	D.11.01.L50017_0	7	1
56174656	B.02.01.L50017_0	12	1	56175682	B.03.01.L50017_0	13	4	56370209	D.01.01.L50017_0	12	
56174657	B.01.02.L50018_0	4	1		B.05.01.L50017_0	13	4	56370210	D.01.01.L50017_0	12	
56174658	B.01.02.L50018_0	7	1	56175799	B.01.02.L50018_0	22	1	56370211	D.01.01.L50017_0	12	



SPARE PARTS INSTANCE INDEX

Code	Parts Table	Pos.	Q.ty	Code	Parts Table	Pos.	Q.ty	Code	Parts Table	Pos.	Q.ty
56370212	D.01.01.L50017_0	12		56373428	M.01.01.L50017_0	42	1	56474714	D.12.01.L50017_0	47	1
56370217	C.01.01.L50017_0	29	4	56373436	M.01.01.L50017_0	53	1	56475398	D.12.01.L50017_0	47	1
56370228	C.01.01.L50017_0	21	4	56373800	C.03.01.L50017_0	12	2		D.12.01.L50017_1	51	1
56370267	D.02.01.L50017_0	27	1	56374076	D.13.01.L50017_0	15	1	56475416	D.12.01.L50017_0	47	1
	D.02.01.L50017_1	26	1	56374430	D.13.01.L50017_0	5	1		D.12.01.L50017_1	51	1
56370282	L.01.01.L50017_0	22	4	56374460	B.10.01.L50020_0	45	1	56475417	D.12.01.L50017_0	47	1
	M.01.01.L50017_0	32	4	56374574	M.01.01.L50017_0	51	1		D.12.01.L50017_1	51	1
56370287	L.01.01.L50017_0	24	2	56374711	C.01.01.L50017_0	39	2	56475516	D.12.01.L50017_0	45	1
	M.01.01.L50017_0	34	2	56375008	T.03.02.L50003_0	2	2		D.12.01.L50017_1	49	1
56370288	L.01.01.L50017_0	17	2	56375146	M.01.01.L50017_0	25	1	56475517	D.12.01.L50017_0	47	1
	M.01.01.L50017_0	18	1	56375147	M.01.01.L50017_0	21	1		D.12.01.L50017_1	51	1
56370486	C.01.01.L50017_0	32	1	56375436	B.10.01.L50020_0	35	1	56475518	D.12.01.L50017_0	47	1
56370539	W.01.01.L50017_0	15	4	56470002	D.02.01.L50017_0	18	1	56475568	D.12.01.L50017_1	22	1
	W.01.02.L50017_0	10	4		D.02.01.L50017_1	17	1	56475757	D.12.01.L50017_0	47	1
56370582	D.11.01.L50017_0	12	1	56470110	D.04.01.L50017_0	3	1		D.12.01.L50017_1	51	1
56370583	D.11.01.L50017_0	11	1	56470111	D.04.01.L50017_0	14	1	56475839	D.08.01.L50017_0	5	0
56370696	T.03.01.L50003_0	4	2	56470139	D.04.01.L50017_0	10	1	56475844	D.12.01.L50017_0	48	1
56370830	D.09.01.L50017_0	14		56470215	D.01.01.L50017_0	5	1		D.12.01.L50017_1	52	1
56371037	D.01.01.L50017_0	20	2	56470216	D.01.01.L50017_0	27	2	56570016	C.02.01.L50017_0	1,3	2
	D.09.01.L50017_0	9	2	56470231	D.14.01.L50017_0	5	2		D.07.01.L50017_0	17	1
56371065	D.07.01.L50017_0	21	1	56470299	D.13.01.L50017_0	1	1		L.01.01.L50017_0	5	2
56371101	T.01.02.L50017_0	12,8	1	56470365	D.15.02.L50020_0	22	3		M.01.01.L50017_0	6	2
	T.01.02.L50017_0	4,4	1	56470797	D.15.02.L50020_0	14	2	56570125	D.07.01.L50017_0	38	2
	T.01.02.L50017_0	5,4	1	56470987	D.12.01.L50017_0	26	1	56570284	L.01.01.L50017_0	15	1
56371162	D.02.01.L50017_0	17	1		D.12.01.L50017_1	29	1		M.01.01.L50017_0	16	1
	D.02.01.L50017_1	16	1	56471036	D.01.01.L50017_0	19	1	56570506	M.01.01.L50017_0	20	1
56371721	D.15.02.L50020_0	18	1		D.09.01.L50017_0	10	1	56573662	D.02.01.L50017_0	5	1
56372282	D.12.01.L50017_0	38	1	56473818	D.04.01.L50017_0	6	1		D.02.01.L50017_1	5	1
	D.12.01.L50017_1	40	1	56473880	D.12.01.L50017_0	21	1	56574008	T.01.01.L50017_0	1	1
56372536	D.01.01.L50017_0	4	1	56473890	D.12.01.L50017_0	47	1		T.01.02.L50017_0	1	1
56373194	D.03.01.L50017_0	33	1		D.12.01.L50017_1	51	1	57174915	A.05.01.L50017_0	1,3	1
56373213	D.07.01.L50017_0	24	1	56474013	C.02.01.L50017_0	7	1	57275032	B.04.02.L50020_0	17	1
56373426	M.01.01.L50017_0	42	1	56474713	D.12.01.L50017_0	47	1	57275033	B.04.02.L50020_0	18	1
56373427	M.01.01.L50017_0	42	1		D.12.01.L50017_1	51	1	57371049	D.02.01.L50017_0	7	1

SPARE PARTS INSTANCE INDEX

Code	Parts Table	Pos.	Q.ty	Code	Parts Table	Pos.	Q.ty	Code	Parts Table	Pos.	Q.ty
57371049	D.02.01.L50017_1	7	1	58070169	D.07.01.L50017_0	8	3	58070743	C.02.01.L50017_0	1,4	5
57371900	A.05.01.L50017_0	2	1	58070198	D.11.01.L50017_0	10	1	58070790	D.03.01.L50017_0	20	2
57372341	A.04.01.L50017_0	13	1	58070205	D.11.01.L50017_0	15	1		D.03.01.L50017_0	38	1
57374490	B.10.01.L50020_0	4	2	58070262	D.02.01.L50017_0	26	1		D.15.02.L50020_0	6	4
57374491	B.10.01.L50020_0	5	1		D.02.01.L50017_1	25	1	58070848	T.01.02.L50017_0	13	1
57374501	B.10.01.L50020_0	29	1	58070268	D.02.01.L50017_0	28	1	58071188	T.01.02.L50017_0	4,3	1
57374533	B.04.02.L50020_0	27	1		D.02.01.L50017_1	27	1	58071189	T.01.02.L50017_0	5,3	1
57374536	B.04.02.L50020_0	28	1	58070315	T.01.01.L50017_0	8	2	58071196	T.01.02.L50017_0	11	2
57374545	B.10.01.L50020_0	24	2	58070366	D.14.01.L50017_0	10	2	58071305	E.03.02.L50020_0	11	1
57374553	B.08.01.L50017_0	21	1	58070390	B.10.01.L50020_0	43	1	58071307	E.01.01.L50017_0	4	1
	B.08.01.L50017_1	21	1	58070480	T.01.01.L50017_0	8,3	2	58071308	E.01.01.L50017_0	5	1
	B.08.01.L50017_2	21	1		T.01.02.L50017_0	11,3	2	58071313	E.02.02.L50018_0	3	1
57374554	B.02.01.L50017_0	17-gen	1	58070481	T.01.01.L50017_0	8,1	1	58071322	T.01.01.L50017_0	4	2
57374583	B.03.01.L50017_0	3	1	58070482	T.01.01.L50017_0	9,8	1	58071755	T.01.01.L50017_0	9,1	2
57374584	B.05.01.L50017_0	3	1	58070484	T.01.01.L50017_0	8,5	1		T.01.02.L50017_0	12,1	2
57374585	B.03.01.L50017_0	4	1		T.01.02.L50017_0	11,5	1	58071758	T.01.02.L50017_0	12,7	1
57374586	B.05.01.L50017_0	4	1	58070511	L.02.01.L50017_0	27	1	58071864	T.01.02.L50017_0	4,1	1
57374590	B.04.02.L50020_0	4	1		L.02.02.L50017_0	28	1		T.01.02.L50017_0	5,1	1
57374591	B.04.02.L50020_0	3	1	58070513	L.02.01.L50017_0	28	1	58071872	T.01.02.L50017_0	4	1
57374686	B.10.01.L50020_0	3	1		L.02.01.L50017_1	33	1	58071873	T.01.02.L50017_0	5	1
57374926	B.03.01.L50017_0	15	1		L.02.02.L50017_0	29	1	58072053	T.01.02.L50017_0	12,3	1
	B.05.01.L50017_0	21	1		L.02.02.L50017_1	34	1	58072054	T.01.01.L50017_0	9,6	1
57374927	B.03.01.L50017_0	16	1		M.02.01.L50017_0	54	1		T.01.02.L50017_0	12,5	1
	B.05.01.L50017_0	20	1		M.02.02.L50017_0	54		58072055	T.01.02.L50017_0	12,6	1
57374977	B.02.01.L50017_0	17-feb	1	58070519	L.02.03.L50020_0	40	1	58072056	T.01.02.L50017_0	12	2
57375192	M.02.01.L50017_0	39	1	58070558	T.01.01.L50017_0	8,6	1	58072074	A.02.04.L50021_0	9	1
	M.02.02.L50017_0	39			T.01.02.L50017_0	11,6	1	58072075	A.02.04.L50021_0	10	1
58025869	M.01.01.L50017_0	42	1	58070559	T.01.01.L50017_0	8,7	1	58072081	E.02.02.L50018_0	4	1
58048002	A.02.04.L50021_0	26	3		T.01.02.L50017_0	11,7	1	58072107	D.08.01.L50017_0	3	0
	B.01.02.L50018_0	12	1	58070560	T.01.01.L50017_0	8,9	1	58072389	D.12.01.L50017_0	36	1
58070071	D.10.01.L50017_0	4	1		T.01.02.L50017_0	11,9	1		D.12.01.L50017_1	38	1
58070097	B.03.01.L50017_0	33	2	58070690	A.05.01.L50017_0	17	1	58072398	D.12.01.L50017_0	43	4
58070164	D.07.01.L50017_0	18	3	58070741	D.07.01.L50017_0	36	5		D.12.01.L50017_1	46	4
58070168	D.07.01.L50017_0	20	3		D.13.01.L50017_0	18	1	58072399	D.12.01.L50017_0	39	1



SPARE PARTS INSTANCE INDEX

Code	Parts Table	Pos.	Q.ty	Code	Parts Table	Pos.	Q.ty	Code	Parts Table	Pos.	Q.ty
58072399	D.12.01.L50017_1	41	1	58074777	B.07.01.L50017_0	10	1	58075080	L.02.02.L50017_1	35	4
58072509	B.07.01.L50017_0	30	1	58074786	B.07.01.L50017_0	5	1		L.02.03.L50020_0	41	2
58072510	B.07.01.L50017_0	33	1	58074787	B.07.01.L50017_0	6	1	58075082	L.02.01.L50017_0	40	1
58072511	B.07.01.L50017_0	32	1	58074788	B.07.01.L50017_0	3/03	2		L.02.01.L50017_1	41	1
58072517	B.07.01.L50017_0	31	1	58074789	B.07.01.L50017_0	3/02	2		L.02.03.L50020_0	48	1
58072568	E.03.02.L50020_0	10	1	58074790	B.07.01.L50017_0	3/01	2		M.02.01.L50017_0	61	1
58072575	B.07.01.L50017_0	25	1	58074791	B.07.01.L50017_0	4	2	58075087	L.02.01.L50017_0	34	2
58072737	B.07.01.L50017_0	28	1	58074794	B.07.01.L50017_0	1	1		L.02.01.L50017_1	35	2
58073034	T.01.01.L50017_0	10	1	58074795	B.07.01.L50017_0	2	1		L.02.02.L50017_0	35	2
58073147	L.02.01.L50017_0	6/02	1	58074831	B.01.02.L50018_0	16	1		L.02.02.L50017_1	36	2
	L.02.01.L50017_1	6/02	1	58074832	A.02.04.L50021_0	8	1		L.02.03.L50020_0	42	2
	L.02.02.L50017_0	6/02	1	58074836	F.03.02.L50020_0	11	1	58075135	L.02.01.L50017_1	29	1
	L.02.02.L50017_1	6/02	1	58074837	B.07.01.L50017_0	7	1		L.02.02.L50017_1	30	1
	L.02.03.L50020_0	6/02	1	58074839	B.07.01.L50017_0	15	1	58075152	B.07.01.L50017_0	21	1
	M.02.01.L50017_0	6/02	1	58074841	B.07.01.L50017_0	8	1	58075159	M.02.01.L50017_0	27	1
	M.02.02.L50017_0	6,2		58074846	B.07.01.L50017_0	16	1		M.02.02.L50017_0	27	
58073205	T.01.01.L50017_0	9	2	58074848	B.07.01.L50017_0	24	1	58075160	M.02.01.L50017_0	50	1
58073206	T.01.01.L50017_0	9,7	1	58074874	A.03.02.L50018_0	21	1	58075175	B.03.01.L50017_0	11	2
58073212	T.01.01.L50017_0	9,4	1	58074880	B.07.01.L50017_0	11	1	58075176	B.05.01.L50017_0	11	2
58073411	M.01.01.L50017_0	43	2	58074891	F.03.02.L50020_0	16	1	58075193	A.05.01.L50017_0	19-gen	1
58073643	B.07.01.L50017_0	9	1	58074895	A.05.01.L50017_0	19-feb	1	58075226	M.02.01.L50017_0	55	5
58074092	D.12.01.L50017_0	37	1	58074901	B.08.01.L50017_0	07-gen	1		M.02.02.L50017_0	55	
	D.12.01.L50017_1	39	1		E.03.02.L50020_0	1/01	1	58075228	F.02.02.L50018_0	14	1
58074220	B.07.01.L50017_0	13	1	58074903	E.02.02.L50018_0	7	1	58075229	F.02.02.L50018_0	15	1
58074221	B.07.01.L50017_0	12	1	58074904	E.01.01.L50017_0	1	1	58075247	L.02.01.L50017_0	6/01	1
58074222	B.07.01.L50017_0	14	1	58074906	E.03.02.L50020_0	3	1		L.02.01.L50017_1	6/01	1
58074488	B.10.01.L50020_0	37	1	58074908	E.03.02.L50020_0	4	1		L.02.02.L50017_0	6/01	1
58074558	D.03.01.L50017_0	10	2	58075021	B.07.01.L50017_0	23	1		L.02.02.L50017_1	6/01	1
58074733	F.03.02.L50020_0	33	2	58075022	B.07.01.L50017_0	17	1		L.02.03.L50020_0	6/01	1
58074734	F.03.02.L50020_0	32	2	58075024	B.07.01.L50017_0	18	1		M.02.01.L50017_0	6/01	1
58074736	F.04.01.L50017_0	27	1	58075074	L.02.03.L50020_0	35	1		M.02.02.L50017_0	6,1	
58074738	F.03.02.L50020_0	15	1	58075080	L.02.01.L50017_0	33	3	58075248	F.03.02.L50020_0	37	1
58074739	F.03.02.L50020_0	45	1		L.02.01.L50017_1	34	3	58075250	B.07.01.L50017_0	22	1
58074740	F.03.02.L50020_0	17	1		L.02.02.L50017_0	34	4	58075384	B.08.01.L50017_0	07-feb	1

SPARE PARTS INSTANCE INDEX

Code	Parts Table	Pos.	Q.ty	Code	Parts Table	Pos.	Q.ty	Code	Parts Table	Pos.	Q.ty
58075384	B.08.01.L50017_1	07-feb	1	58170236	B.08.01.L50017_0	12	1	58170572	E.03.02.L50020_0	4,1	1
	B.08.01.L50017_2	07-feb	1	58170238	A.05.01.L50017_0	3	1	58170597	L.02.03.L50020_0	31	1
	E.03.02.L50020_0	1/02	1	58170245	L.01.01.L50017_0	21	2	58170693	L.02.03.L50020_0	32	2
58075515	D.12.01.L50017_0	46	5		M.01.01.L50017_0	31	2	58170700	E.02.02.L50018_0	7,1	1
	D.12.01.L50017_1	50	5	58170251	L.02.03.L50020_0	24	1	58170703	D.14.01.L50017_0	2	6
58075521	B.07.01.L50017_0	19	1	58170279	D.04.01.L50017_0	8	1	58170947	E.03.02.L50020_0	12	2
58075522	B.07.01.L50017_0	20	1	58170291	L.01.01.L50017_0	16	2	58170959	B.12.01.L50017_0	01-feb	1
58075603	L.01.01.L50017_0	7	1		M.01.01.L50017_0	17	2	58170968	B.03.01.L50017_0	39	1
	M.01.01.L50017_0	8	1	58170306	D.02.01.L50017_0	19	2	58170995	B.12.01.L50017_0	01-mar	1
58075607	A.01.02.L50018_1	29	1		D.02.01.L50017_1	18	2	58171000	T.01.02.L50017_0	6	2
58075776	B.08.01.L50017_1	07-gen	1	58170344	B.08.01.L50017_0	19	1	58171004	T.01.01.L50017_0	10,5	1
	B.08.01.L50017_2	07-gen	1		B.08.01.L50017_1	19	1		T.01.02.L50017_0	13,6	1
58075843	T.01.01.L50017_0	9,3	1		B.08.01.L50017_2	19	1	58171005	T.01.02.L50017_0	13,5	1
58076937	B.07.01.L50017_0	26	1	58170345	B.08.01.L50017_0	20	1	58171006	T.01.01.L50017_0	10,3	1
58170013	C.02.01.L50017_0	6	1		B.08.01.L50017_1	20	1		T.01.02.L50017_0	13,4	1
58170021	C.03.01.L50017_0	4	1		B.08.01.L50017_2	20	1	58171007	T.01.02.L50017_0	13,1	1
58170026	D.15.02.L50020_0	2	4	58170352	F.01.02.L50018_0	13	1	58171019	D.14.01.L50017_0	3	2
58170034	D.02.01.L50017_0	29	6	58170376	B.08.01.L50017_0	15	2	58171021	T.01.01.L50017_0	4,2	1
	D.02.01.L50017_1	28	6		B.08.01.L50017_1	15	2		T.01.02.L50017_0	7	2
58170039	D.01.01.L50017_0	24	4		B.08.01.L50017_2	15	2	58171027	A.04.01.L50017_0	1,4	1
58170045	D.14.01.L50017_0	1	2	58170436	B.02.01.L50017_0	3	1		A.04.02.L50017_0	1,4	1
58170054	D.07.01.L50017_0	7	3	58170443	D.02.01.L50017_0	22	1	58171028	A.04.01.L50017_0	1,3	1
58170069	C.01.01.L50017_0	33	1		D.02.01.L50017_1	21	1		A.04.02.L50017_0	1,3	1
58170070	D.10.01.L50017_0	12	3	58170449	T.01.01.L50017_0	13	1	58171069	A.04.02.L50017_0	6	1
58170077	C.01.01.L50017_0	27	4		T.01.02.L50017_0	16	1	58171160	F.03.02.L50020_0	1	1
58170107	D.01.01.L50017_0	26	2	58170453	B.08.01.L50017_0	7,1	1	58171199	A.01.02.L50018_0	1,1	1
58170130	D.04.01.L50017_0	23	1		E.03.02.L50020_0	1,1	1		A.01.02.L50018_1	1,1	1
	D.12.01.L50017_0	11	1	58170512	L.02.01.L50017_0	29	1	58171200	A.01.02.L50018_0	1,2	1
	D.12.01.L50017_1	10	1		L.02.01.L50017_1	30	1		A.01.02.L50018_1	1,2	1
58170181	W.01.01.L50017_0	1,1	1		L.02.02.L50017_0	30	1	58171239	B.12.01.L50017_0	3	1
	W.01.01.L50017_0	5,1	1		L.02.02.L50017_1	31	1	58171536	L.01.01.L50017_0	21,2	1
	W.01.02.L50017_0	1,1	1		M.02.01.L50017_0	51	1		M.01.01.L50017_0	31,2	1
58170195	D.11.01.L50017_0	6	2		M.02.02.L50017_0	51		58171537	L.01.01.L50017_0	21,1	1
58170233	A.01.02.L50018_0	13	1	58170571	E.03.02.L50020_0	4,2	1		M.01.01.L50017_0	31,1	1

SPARE PARTS INSTANCE INDEX

Code	Parts Table	Pos.	Q.ty	Code	Parts Table	Pos.	Q.ty	Code	Parts Table	Pos.	Q.ty
58171739	F.03.02.L50020_0	36,1	1	58172018	L.02.01.L50017_1	19	3	58172489	L.02.01.L50017_0	17	1
58171901	A.05.01.L50017_0	21	1		L.02.02.L50017_0	20	3		L.02.01.L50017_1	17	1
58171925	I.01.01.L50017_0	10	1		L.02.02.L50017_1	20	3		L.02.02.L50017_0	18	1
58172011	I.01.01.L50017_0	1	1	58172105	D.02.01.L50017_0	31	5		L.02.02.L50017_1	18	1
	L.02.01.L50017_0	12	2		D.02.01.L50017_1	30	5	58172589	F.04.01.L50017_0	20-feb	1
	L.02.01.L50017_1	12	2	58172106	D.02.01.L50017_0	30	5		M.02.01.L50017_0	25	1
	L.02.02.L50017_0	12	1		D.02.01.L50017_1	29	5		M.02.02.L50017_0	25	
	L.02.02.L50017_1	12	1	58172120	L.02.01.L50017_0	32	1	58172707	I.01.01.L50017_0	2	1
	M.02.01.L50017_0	14	1		L.02.02.L50017_0	33	1	58172806	F.01.02.L50018_0	25	1
58172012	I.01.01.L50017_0	3	1	58172240	I.01.01.L50017_0	11,3	1	58173030	D.03.01.L50017_0	5	1
	L.02.02.L50017_0	14	1		I.01.01.L50017_0	6	1	58173072	T.01.02.L50017_0	13,2	1
	L.02.02.L50017_1	14	1	58172267	B.08.01.L50017_0	7,2	1	58173074	T.01.01.L50017_0	10,1	1
	M.02.01.L50017_0	14	1		E.03.02.L50020_0	1,2	1	58173075	T.01.01.L50017_0	10,4	1
	M.02.02.L50017_0	14		58172304	I.01.01.L50017_0	7	1	58173116	B.08.01.L50017_0	19,1	2
58172013	I.01.01.L50017_0	4	1		L.02.01.L50017_0	11	1		B.08.01.L50017_0	20,1	2
	L.02.01.L50017_0	13	2		L.02.01.L50017_1	11	1		B.08.01.L50017_1	19,1	2
	L.02.01.L50017_1	13	2		L.02.02.L50017_0	11	1		B.08.01.L50017_1	20,1	2
	L.02.02.L50017_0	13	2		L.02.02.L50017_1	11	1		B.08.01.L50017_2	19,1	2
	L.02.02.L50017_1	13	2		M.02.01.L50017_0	12	1		B.08.01.L50017_2	20,1	2
	M.02.01.L50017_0	13	2		M.02.02.L50017_0	12		58173119	B.08.01.L50017_0	19,2	2
	M.02.02.L50017_0	13		58172307	L.02.03.L50020_0	38	2		B.08.01.L50017_0	20,2	2
58172014	I.01.01.L50017_0	11,2	1	58172359	A.04.01.L50017_0	1	1		B.08.01.L50017_1	19,2	2
	I.01.01.L50017_0	5	1	58172400	D.02.01.L50017_0	23	1		B.08.01.L50017_1	20,2	2
58172015	L.02.01.L50017_0	10	1		D.02.01.L50017_1	22	1		B.08.01.L50017_2	19,2	2
	L.02.01.L50017_1	10	1		D.12.01.L50017_0	31	1		B.08.01.L50017_2	20,2	2
	L.02.02.L50017_0	10	1	58172402	D.12.01.L50017_0	32	1	58173120	B.08.01.L50017_0	19,3	1
	L.02.02.L50017_1	10	1		D.12.01.L50017_1	34	1		B.08.01.L50017_1	19,3	1
	L.02.03.L50020_0	10	1	58172447	D.12.01.L50017_0	33	7		B.08.01.L50017_2	19,3	1
58172016	I.01.01.L50017_0	12	1		D.12.01.L50017_1	35	8	58173121	B.08.01.L50017_0	20,3	1
58172017	I.01.01.L50017_0	13	1	58172448	D.12.01.L50017_0	34	7		B.08.01.L50017_1	20,3	1
	M.02.01.L50017_0	20	3		D.12.01.L50017_1	36	8		B.08.01.L50017_2	20,3	1
	M.02.02.L50017_0	20		58172463	F.04.01.L50017_0	7	2	58173165	A.04.01.L50017_0	1,5	1
58172018	I.01.01.L50017_0	14	1	58172489	I.01.01.L50017_0	8	1		A.04.02.L50017_0	1,5	1
	L.02.01.L50017_0	19	3					58173195	D.03.01.L50017_0	19,1	2



SPARE PARTS INSTANCE INDEX

Code	Parts Table	Pos.	Q.ty	Code	Parts Table	Pos.	Q.ty	Code	Parts Table	Pos.	Q.ty
58173195	D.03.01.L50017_0	31,1	2	58174928	B.08.01.L50017_1	14	1	58175769	B.08.01.L50017_2	12	1
	D.03.01.L50017_0	36,1	2		B.08.01.L50017_2	14	1	58175770	B.08.01.L50017_1	13	1
58173361	I.01.01.L50017_0	9	1	58174959	A.01.02.L50018_0	2	1		B.08.01.L50017_2	13	1
	M.02.01.L50017_0	18	1		A.01.02.L50018_1	2	1	58175772	B.08.01.L50017_1	11	1
	M.02.02.L50017_0	18		58174974	I.01.01.L50017_0	11	1		B.08.01.L50017_2	11	1
58173399	F.04.01.L50017_0	10	1		L.02.03.L50020_0	11	1	58175773	A.01.02.L50018_1	13	1
58173437	B.12.02.L50017_0	4	1	58175014	F.01.02.L50018_0	18	2	59070012	C.01.01.L50017_0	14	1
58173505	F.01.02.L50018_0	14	1	58175044	A.04.02.L50017_0	1	1	59070051	D.15.02.L50020_0	35	1
58173506	F.01.02.L50018_0	28	1	58175083	L.02.01.L50017_0	42	1	59070065	D.01.01.L50017_0	23	1
58173961	D.03.01.L50017_0	4	1		L.02.01.L50017_1	43	1		D.09.01.L50017_0	12	1
58174192	D.07.01.L50017_0	1	3		L.02.03.L50020_0	50	1	59070094	D.10.01.L50017_0	13	1
58174417	D.03.01.L50017_0	45	1		M.02.01.L50017_0	63	1	59070225	C.01.01.L50017_0	31	1
58174547	F.03.02.L50020_0	22	1	58175085	A.03.02.L50018_0	1,1	1	59070289	L.01.01.L50017_0	18	1
58174552	D.01.01.L50017_0	1	1	58175121	A.01.02.L50018_0	25	1		M.01.01.L50017_0	28	1
58174555	B.10.01.L50020_0	9	1		A.01.02.L50018_1	25	1	59070290	L.01.01.L50017_0	19	1
58174581	L.01.01.L50017_0	11	1	58175122	F.01.02.L50018_0	7	1		M.01.01.L50017_0	29	1
	M.01.01.L50017_0	12	1	58175187	M.02.01.L50017_0	45	2	59070316	T.01.01.L50017_0	5	2
58174604	A.03.02.L50018_0	1/02	1		M.02.02.L50017_0	45			T.01.02.L50017_0	8	2
58174605	A.03.02.L50018_0	1/01	1	58175188	M.02.01.L50017_0	44/02	1	59070323	D.15.02.L50020_0	5	1
58174608	A.03.02.L50018_0	5	4		M.02.02.L50017_0	44,2		59070325	D.15.02.L50020_0	1	1
58174612	A.01.02.L50018_0	23	1	58175191	I.01.01.L50017_0	15	1	59070333	D.15.02.L50020_0	7	1
	A.01.02.L50018_1	23	1		M.02.01.L50017_0	32	1	59070398	D.15.02.L50020_0	3	2
58174644	B.10.01.L50020_0	38	2		M.02.02.L50017_0	32		59070448	T.01.01.L50017_0	14	1
58174710	F.03.02.L50020_0	36	2	58175196	M.02.01.L50017_0	41	1		T.01.02.L50017_0	17	1
58174716	D.02.01.L50017_0	2	1		M.02.02.L50017_0	41		59070591	B.03.01.L50017_0	37	1
	D.02.01.L50017_1	2	1	58175205	W.01.02.L50017_0	7	1	59070592	B.05.01.L50017_0	39	1
58174726	D.15.02.L50020_0	20	1	58175209	C.01.01.L50017_0	42	1	59070702	T.03.01.L50003_0	1	1
58174732	F.04.01.L50017_0	25	1	58175211	M.02.01.L50017_0	44/01	1	59071091	B.05.01.L50017_0	45	1
58174774	F.01.02.L50018_0	1	1		M.02.02.L50017_0	44,1		59071157	B.03.01.L50017_0	28	1
58174775	F.02.02.L50018_0	1	1	58175222	F.02.02.L50018_0	3	1	59071158	B.03.01.L50017_0	29	1
58174834	B.08.01.L50017_0	13	1	58175393	W.01.01.L50017_0	13,1	1	59071171	C.01.01.L50017_0	34	2
58174842	B.08.01.L50017_0	11	1	58175630	W.01.01.L50017_0	9,1	1	59071195	B.03.01.L50017_0	36	1
58174882	B.01.02.L50018_0	3	1	58175700	E.03.02.L50020_0	2	1	59071241	B.12.01.L50017_0	12	1
58174928	B.08.01.L50017_0	14	1	58175769	B.08.01.L50017_1	12	1	59071966	B.05.01.L50017_0	46	1



SPARE PARTS INSTANCE INDEX

Code	Parts Table	Pos.	Q.ty	Code	Parts Table	Pos.	Q.ty	Code	Parts Table	Pos.	Q.ty
59072057	L.02.01.L50017_0	18	2	59074443	M.01.01.L50017_0	13	1	59074747	F.01.02.L50018_0	29	1
	L.02.01.L50017_1	18	2	59074459	D.15.02.L50020_0	28	1	59074748	F.04.01.L50017_0	23	1
	L.02.02.L50017_0	19	2	59074468	B.10.01.L50020_0	1	1	59074749	F.04.01.L50017_0	24	1
	L.02.02.L50017_1	19	2	59074477	B.10.01.L50020_0	21	1	59074750	F.01.02.L50018_0	3	1
	L.02.03.L50020_0	15	2	59074482	F.03.02.L50020_0	25	1	59074752	F.01.02.L50018_0	26	1
	M.02.01.L50017_0	19	2	59074525	B.10.01.L50020_0	33	1	59074754	L.02.01.L50017_0	7	1
	M.02.02.L50017_0	19		59074531	B.10.01.L50020_0	18	1		L.02.01.L50017_1	7	1
59072380	A.05.01.L50017_0	13	1	59074546	F.03.02.L50020_0	23	1		L.02.02.L50017_0	7	1
59072572	D.13.01.L50017_0	20	1	59074561	D.15.02.L50020_0	34	1		L.02.02.L50017_1	7	1
59072974	F.03.02.L50020_0	5	1	59074596	B.04.02.L50020_0	2	1		L.02.03.L50020_0	7	1
59073184	A.04.02.L50017_0	7	1	59074597	B.04.02.L50020_0	1	1	59074759	L.02.01.L50017_0	23	1
59073189	L.01.01.L50017_0	30	1	59074617	A.05.01.L50017_0	22	1		L.02.01.L50017_1	23	1
59073242	D.15.02.L50020_0	31	2	59074623	D.03.01.L50017_0	13	1		L.02.02.L50017_0	24	1
59073674	B.04.02.L50020_0	6	1	59074624	A.01.02.L50018_0	27	1		L.02.02.L50017_1	24	1
59073681	A.02.04.L50021_0	11/02	1		A.01.02.L50018_1	27	1	59074782	B.04.02.L50020_0	23	1
59073685	D.03.01.L50017_0	25	1	59074630	A.03.02.L50018_0	8	1	59074993	D.12.01.L50017_0	59	1
59073725	D.03.01.L50017_0	19	1	59074638	A.04.01.L50017_0	08-feb	1		D.12.01.L50017_1	63	1
59074077	D.13.01.L50017_0	19	1	59074639	A.05.01.L50017_0	12	1	59075012	T.03.02.L50003_0	1,1	1
59074081	D.03.01.L50017_0	36	1	59074640	F.04.01.L50017_0	16	1	59075063	F.02.02.L50018_0	11	1
59074185	D.07.01.L50017_0	02-gen	1	59074662	B.02.01.L50017_0	20	2	59075064	L.02.03.L50020_0	26	1
59074188	D.07.01.L50017_0	4	1	59074669	B.03.01.L50017_0	1	1	59075078	B.03.01.L50017_0	19	1
59074206	D.03.01.L50017_0	31	1	59074670	B.03.01.L50017_0	2	1		B.05.01.L50017_0	24	1
59074213	A.02.04.L50021_0	15/02	1	59074671	B.05.01.L50017_0	1	1	59075079	B.03.01.L50017_0	20	1
59074296	D.03.01.L50017_0	39	1	59074672	B.05.01.L50017_0	2	1		B.05.01.L50017_0	23	1
59074346	A.02.04.L50021_0	11/01	1	59074701	D.15.02.L50020_0	38	1	59075081	B.05.01.L50017_0	25	1
59074347	A.02.04.L50021_0	15/01	1	59074702	D.15.02.L50020_0	39	1	59075137	M.01.01.L50017_0	60	1
59074351	B.04.02.L50020_0	5	1	59074727	A.01.02.L50018_0	15	1	59075140	M.01.01.L50017_0	55	1
59074385	B.05.01.L50017_0	31	2		A.01.02.L50018_1	15	1	59075148	M.01.01.L50017_0	19	1
59074387	D.07.01.L50017_0	03-gen	1	59074729	B.03.01.L50017_0	18	2	59075171	M.02.01.L50017_0	49	1
59074391	B.05.01.L50017_0	22	2	59074741	D.03.01.L50017_0	8	1		M.02.02.L50017_0	49	
59074403	B.10.01.L50020_0	22	1	59074742	F.04.01.L50017_0	12	1	59075178	M.01.01.L50017_0	61	1
59074436	D.08.01.L50017_0	9	0	59074743	F.04.01.L50017_0	22	1	59075190	A.04.01.L50017_0	08-gen	1
59074438	D.08.01.L50017_0	4	0	59074744	F.04.01.L50017_0	19	1	59075216	M.02.01.L50017_0	7	1
59074443	L.01.01.L50017_0	12	1	59074745	F.01.02.L50018_0	4	1		M.02.02.L50017_0	7	



SPARE PARTS INSTANCE INDEX

Code	Parts Table	Pos.	Q.ty	Code	Parts Table	Pos.	Q.ty	Code	Parts Table	Pos.	Q.ty
59075217	M.02.01.L50017_0	24	1	59375435	D.12.01.L50017_0	52	1	59900308	B.02.01.L50017_0	1/011	1
	M.02.02.L50017_0	24		59377433	D.12.01.L50017_1	56	1	59900309	B.02.01.L50017_0	1/012	1
59075224	F.03.02.L50020_0	38	1	59900151	B.12.01.L50017_0	02-gen	1	59900337	A.01.02.L50018_0	1,4	1
59075225	F.03.02.L50020_0	39	1	59900152	B.12.01.L50017_0	14	1		A.01.02.L50018_1	1,4	1
59075239	T.04.01.L50018_0	8	1	59900153	B.12.01.L50017_0	8	1	59900339	F.03.02.L50020_0	36,2	1
59075253	M.02.01.L50017_0	37	1	59900154	B.12.01.L50017_0	7	4	59900344	A.01.02.L50018_0	1,3	1
	M.02.02.L50017_0	37		59900155	B.12.01.L50017_0	06-gen	1		A.01.02.L50018_1	1,3	1
59075283	B.01.02.L50018_0	29	1	59900156	B.12.01.L50017_0	5	1	59900345	A.01.02.L50018_0	1,5	1
59075359	L.02.01.L50017_1	27	1	59900157	B.12.01.L50017_0	10	1		A.01.02.L50018_1	1,5	1
	L.02.02.L50017_1	28	1	59900158	B.12.01.L50017_0	9	18	59900347	A.04.01.L50017_0	1,2	1
59075389	L.02.03.L50020_0	27	1	59900159	B.12.01.L50017_0	4	1		A.04.02.L50017_0	1,2	1
59075390	L.02.03.L50020_0	30	1	59900160	B.12.01.L50017_0	11	1	59900353	A.04.01.L50017_0	1,1	1
59075438	T.04.01.L50018_0	12	1	59900161	B.12.01.L50017_0	13	1		A.04.02.L50017_0	1,1	1
59075601	B.02.01.L50017_0	06-feb	1	59900162	B.12.01.L50017_0	02-mar	1	59900354	B.08.01.L50017_0	2	1
59075602	B.02.01.L50017_0	06-gen	1	59900182	B.12.01.L50017_0	02-feb	1		B.08.01.L50017_1	2	1
59075813	C.02.01.L50017_0	8	1	59900183	B.12.02.L50017_0	5	1		B.08.01.L50017_2	2	1
59075979	M.02.01.L50017_0	28	1	59900184	B.12.02.L50017_0	6	1	59900357	A.01.02.L50018_1	28	1
	M.02.02.L50017_0	28		59900185	B.12.02.L50017_0	7	1	59900361	W.01.01.L50017_0	1,2	1
59270302	W.01.02.L50017_0	1	1	59900186	B.12.02.L50017_0	8	1		W.01.01.L50017_0	5,2	1
59270303	W.01.01.L50017_0	5	1	59900187	B.12.02.L50017_0	9	1		W.01.01.L50017_0	9,2	1
59270304	W.01.01.L50017_0	1	1	59900199	B.12.02.L50017_0	01-feb	1		W.01.02.L50017_0	1,2	1
59271011	F.04.01.L50017_0	8	1	59900200	B.12.02.L50017_0	01-gen	1	59900362	W.01.01.L50017_0	13,2	1
59271860	D.03.01.L50017_0	1	1	59900230	I.01.01.L50017_0	10,1	1	59900364	L.02.03.L50020_0	22	1
59272073	D.08.01.L50017_0	7	0		I.01.01.L50017_0	11,1	1	59900365	L.02.03.L50020_0	34	1
59275396	W.01.01.L50017_0	13	1	59900242	E.03.02.L50020_0	1,3	1	59900376	D.12.01.L50017_1	12	1
59275513	D.12.01.L50017_0	44	1	59900298	B.02.01.L50017_0	01-gen	1	59978087	D.12.01.L50017_1	27	1
59275632	W.01.01.L50017_0	9	1	59900299	B.02.01.L50017_0	01-feb	1	F0110037024	L.02.03.L50020_0	25	1
59276001	C.02.01.L50017_0	1	1	59900300	B.02.01.L50017_0	01-mar	1	F0150010905	W.01.01.L50017_0	10	1
59276076	D.12.01.L50017_1	47	1	59900301	B.02.01.L50017_0	01-apr	1		W.01.02.L50017_0	4	1
59276708	D.03.01.L50017_0	2	1	59900302	B.02.01.L50017_0	01-mag	1	F0150036215	B.12.02.L50017_0	02-gen	1
59374107	D.12.01.L50017_0	29	1	59900303	B.02.01.L50017_0	01-giu	1	F0150036216	B.12.02.L50017_0	02-feb	1
59374548	D.01.01.L50017_0	13	1	59900304	B.02.01.L50017_0	01-lug	1	F0150036219	B.12.02.L50017_0	3	1
59374549	D.09.01.L50017_0	4	1	59900306	B.02.01.L50017_0	01-set	1	F0150051050	T.04.01.L50018_0	1	6
59375009	T.03.02.L50003_0	1	1	59900307	B.02.01.L50017_0	01-gen	1	F0150051145	T.04.01.L50018_0	3	2



SPARE PARTS INSTANCE INDEX

Code	Parts Table	Pos.	Q.ty
F0190018909	E.02.02.L50018_0	2	1
F0190032529	B.12.01.L50017_0	01-gen	1
F0190035152	E.03.02.L50020_0	17	1
F0256808000	A.05.01.L50017_0	27	1
	B.04.02.L50020_0	26	1
F0256809050	A.03.02.L50018_0	3	1
F0801050000	M.01.01.L50017_0	23	1
F0801095000	D.15.02.L50020_0	27	1
F0801138010	D.02.01.L50017_0	9	1
	D.02.01.L50017_1	9	1
F0801163000	F.03.02.L50020_0	31	1
F0801218010	D.01.01.L50017_0	29	2
F0801241010	D.05.01.L50017_0	4	4
	D.12.01.L50017_0	25	1
	D.15.02.L50020_0	10	2
	L.01.01.L50017_0	23	2
	M.01.01.L50017_0	33	2
F0801244080	D.12.01.L50017_1	24	2
F0801248000	D.12.01.L50017_1	14	1
F0801264050	D.02.01.L50017_0	12	1
	D.02.01.L50017_1	12	1
	D.04.01.L50017_0	1	1
F0801266100	D.02.01.L50017_0	21	1
	D.02.01.L50017_1	20	1
F0801282050	D.12.01.L50017_1	44	1
F0801297000	L.02.01.L50017_0	37	12
	L.02.01.L50017_1	38	12
	L.02.02.L50017_0	38	12
	L.02.02.L50017_1	39	12
	L.02.03.L50020_0	45	10
	M.02.01.L50017_0	58	12
	M.02.02.L50017_0	58	
F0801297050	D.12.01.L50017_0	17	3
	D.12.01.L50017_1	48	1

Code	Parts Table	Pos.	Q.ty
F0801331050	L.01.01.L50017_0	20	2
	M.01.01.L50017_0	30	2
F0801331150	D.04.01.L50017_0	7	2
F0801353000	D.04.01.L50017_0	12	1
	D.12.01.L50017_0	10	1
	D.12.01.L50017_1	9	1
F0801380100	D.04.01.L50017_0	16	2
F0801389000	D.12.01.L50017_0	15	1
F0801422010	D.01.01.L50017_0	11	2
F0801455100	D.02.01.L50017_0	33	1
	D.02.01.L50017_1	32	1
F0802104000	D.09.01.L50017_0	1	1
F0802119050	D.01.01.L50017_0	25	4
F0802163010	D.02.01.L50017_0	11	1
	D.02.01.L50017_1	11	1
F0802228005	D.12.01.L50017_0	24	1
	D.12.01.L50017_1	28	1
F0802239045	D.01.01.L50017_0	8	1
F0802700150	D.10.01.L50017_0	1	1
F0803050000	D.08.01.L50017_0	10	0
	F.03.02.L50020_0	24	1
F0803057000	D.03.01.L50017_0	16	2
F0803078100	D.01.01.L50017_0	6	1
F0803171100	D.03.01.L50017_0	14	1
F0803185000	L.02.01.L50017_0	2	1
	L.02.01.L50017_1	2	1
	L.02.02.L50017_0	2	1
	L.02.02.L50017_1	2	1
	L.02.03.L50020_0	2	1
	M.02.01.L50017_0	2	1
	M.02.02.L50017_0	2	
F0803186000	D.08.01.L50017_0	6	0
F0803199010	D.12.01.L50017_0	61	1
	D.12.01.L50017_1	65	1

Code	Parts Table	Pos.	Q.ty
F0803208020	F.01.02.L50018_0	28	1
F0803209000	C.01.01.L50017_0	12	1
	D.11.01.L50017_0	4	1
F0803209070	C.01.01.L50017_0	13	1
F0808060100	T.03.01.L50003_0	2	1
F0808518050	B.07.01.L50017_0	29	4
F0810510000	D.03.01.L50017_0	27	2
	D.03.01.L50017_0	50	1
	D.14.01.L50017_0	6	2
	D.15.02.L50020_0	15	5
F0810527000	D.03.01.L50017_0	35	1
	D.03.01.L50017_0	41	1
F0810622010	T.01.01.L50017_0	2	2
	T.01.02.L50017_0	2	2
F0812523050	D.02.01.L50017_0	1	1
	D.02.01.L50017_1	1	1
F0812599086	D.12.01.L50017_0	7	1
	D.12.01.L50017_1	12,1	1
F0812637000	D.12.01.L50017_0	2	2
	D.12.01.L50017_1	2	2
F0812660020	D.04.01.L50017_0	21	1
F0812689050	D.12.01.L50017_0	14	1
	D.12.01.L50017_1	13	1
F0812708030	D.05.01.L50017_0	2	1
F0812736010	D.12.01.L50017_0	28	1
	D.12.01.L50017_1	30	1
F0812747000	C.01.01.L50017_0	28	4
F0812783000	D.04.01.L50017_0	19	1
F0812784000	D.12.01.L50017_1	17	2
F0812859000	D.01.01.L50017_0	10	2
F0812868000	D.04.01.L50017_0	2	1
F0812868060	D.02.01.L50017_0	16	1
	D.02.01.L50017_1	15	1
F0812878040	D.04.01.L50017_0	4	2



SPARE PARTS INSTANCE INDEX

Code	Parts Table	Pos.	Q.ty	Code	Parts Table	Pos.	Q.ty	Code	Parts Table	Pos.	Q.ty
F0812878040	D.12.01.L50017_0	20	1	F0814574000	D.12.01.L50017_0	56	6	F0822537050	D.03.01.L50017_0	37	1
F0812899000	D.12.01.L50017_1	26	1	F0814585000	B.02.01.L50017_0	5	3		D.15.02.L50020_0	30	4
F0812918010	D.04.01.L50017_0	22	1		B.10.01.L50020_0	8	1	F0824022000	L.02.01.L50017_0	5	1
	D.12.01.L50017_0	22	2	F0814627000	D.15.02.L50020_0	19	1		L.02.01.L50017_1	5	1
	D.12.01.L50017_1	26	2	F0814632000	A.01.02.L50018_0	9	3		L.02.02.L50017_0	5	1
F0812951200	D.04.01.L50017_0	15	2		A.01.02.L50018_1	9	3		L.02.02.L50017_1	5	1
F0812951300	D.12.01.L50017_1	20	1		A.03.02.L50018_0	7	6		L.02.03.L50020_0	5	1
F0812952000	D.04.01.L50017_0	13	1		C.01.01.L50017_0	10	2		M.02.01.L50017_0	5	1
F0812956000	D.01.01.L50017_0	15	2		C.01.01.L50017_0	30	4		M.02.02.L50017_0	5	
	D.09.01.L50017_0	13	2	F0814689020	D.14.01.L50017_0	11	4	F0824110000	D.03.01.L50017_0	18	2
F0812957010	D.12.01.L50017_0	12	1	F0814750010	C.03.01.L50017_0	9	16		F.01.02.L50018_0	9	1
	D.12.01.L50017_1	11	1	F0814756000	T.04.01.L50018_0	11	2		F.02.02.L50018_0	17	1
F0812975250	D.10.01.L50017_0	2	2	F0814797000	C.01.01.L50017_0	31,1	1		F.04.01.L50017_0	21	2
F0814525000	E.03.02.L50020_0	7	1		C.01.01.L50017_0	33,1	1		L.02.01.L50017_0	25	10
F0814529080	E.03.02.L50020_0	14	4	F0814838050	T.01.01.L50017_0	8,11	1		L.02.01.L50017_1	25	14
F0814545000	A.03.02.L50018_0	16	2	F0814907000	T.01.01.L50017_0	8,8	1		L.02.02.L50017_0	26	11
F0814547000	B.03.01.L50017_0	10	2		T.01.01.L50017_0	9,5	1		L.02.02.L50017_1	26	15
	B.05.01.L50017_0	10	4		T.01.02.L50017_0	11,8	1		L.02.03.L50020_0	29	17
F0814569000	B.01.02.L50018_0	20	1		T.01.02.L50017_0	12,4	1		M.02.01.L50017_0	11	17
	D.03.01.L50017_0	22	2	F0817512000	A.03.02.L50018_0	22	2		M.02.02.L50017_0	11	
	D.03.01.L50017_0	44	1		A.05.01.L50017_0	18	4	F0824113000	F.02.02.L50018_0	13	2
	M.01.01.L50017_0	24	5	F0817519000	L.02.03.L50020_0	39	2		F.03.02.L50020_0	44	2
F0814573000	B.03.01.L50017_0	24	12	F0817523010	F.01.02.L50018_0	12	8		L.02.01.L50017_0	31	4
	B.05.01.L50017_0	30	19	F0817535000	A.03.02.L50018_0	19	3		L.02.01.L50017_1	32	4
F0814574000	A.01.02.L50018_0	17	3	F0817550000	A.03.02.L50018_0	20	1		L.02.02.L50017_0	32	4
	A.01.02.L50018_1	17	3	F0817568000	A.04.01.L50017_0	14	2		L.02.02.L50017_1	33	4
	A.03.02.L50018_0	13	1		A.04.01.L50017_0	16	1		L.02.03.L50020_0	37	4
	A.04.01.L50017_0	11	1		A.04.02.L50017_0	11	1		M.02.01.L50017_0	53	4
	A.04.01.L50017_0	4	3		A.04.02.L50017_0	9	2		M.02.02.L50017_0	53	
	A.04.02.L50017_0	4	3	F0817568100	A.04.01.L50017_0	18	1	F0824141000	F.03.02.L50020_0	14	8
	A.05.01.L50017_0	10	6		A.04.01.L50017_0	6	3		L.02.01.L50017_0	36	7
	B.02.01.L50017_0	10	4		A.04.02.L50017_0	13	1		L.02.01.L50017_1	37	7
	B.10.01.L50020_0	39	2	F0817640003	D.07.01.L50017_0	5	3		L.02.02.L50017_0	37	6
	D.01.01.L50017_0	3	1	F0822537050	D.03.01.L50017_0	32	1		L.02.02.L50017_1	38	6

SPARE PARTS INSTANCE INDEX

Code	Parts Table	Pos.	Q.ty	Code	Parts Table	Pos.	Q.ty	Code	Parts Table	Pos.	Q.ty
F0824141000	L.02.03.L50020_0	44	6	F0825480100	E.02.02.L50018_0	1	1	F0835024010	L.02.01.L50017_1	26	6
	M.02.01.L50017_0	31	4	F0825488000	E.03.02.L50020_0	9	2		L.02.02.L50017_0	27	7
	M.02.01.L50017_0	57	6	F0825493000	E.03.02.L50020_0	18	1		L.02.02.L50017_1	27	7
	M.02.02.L50017_0	31		F0825500220	B.08.01.L50017_0	8,1	1		L.02.03.L50020_0	33	5
	M.02.02.L50017_0	57			B.08.01.L50017_1	8,1	1		M.02.01.L50017_0	26	6
F0824185000	F.01.02.L50018_0	16	2		B.08.01.L50017_2	8,1	1		M.02.02.L50017_0	26	
F0825115010	B.08.01.L50017_0	10	1	F0825718020	F.01.02.L50018_0	18,1	2	F0835031010	F.03.02.L50020_0	19	4
	B.08.01.L50017_1	10	1	F0825809000	L.02.01.L50017_0	1	1	F0835037000	L.02.01.L50017_0	35	5
	B.08.01.L50017_2	10	1		L.02.01.L50017_1	1	1		L.02.01.L50017_1	36	5
F0825117000	E.03.02.L50020_0	8	1		L.02.02.L50017_0	1	1		L.02.02.L50017_0	36	6
F0825139000	E.03.02.L50020_0	1,4	1		L.02.02.L50017_1	1	1		L.02.02.L50017_1	37	6
F0825400060	B.08.01.L50017_0	9	1		L.02.03.L50020_0	1	1		L.02.03.L50020_0	43	4
	B.08.01.L50017_1	9	1		M.02.01.L50017_0	1	1		M.02.01.L50017_0	56	6
	B.08.01.L50017_2	9	1		M.02.02.L50017_0	1			M.02.02.L50017_0	56	
F0825403050	B.08.01.L50017_0	18	1	F0825980030	L.02.01.L50017_0	38	6	F0835040030	F.03.02.L50020_0	18	2
	B.08.01.L50017_1	18	1		L.02.01.L50017_1	39	6	F0835523000	D.03.01.L50017_0	29	1
	B.08.01.L50017_2	18	1		L.02.02.L50017_0	39	6	F0837521000	B.10.01.L50020_0	42	1
F0825404050	E.01.01.L50017_0	2	2		L.02.02.L50017_1	40	6	F0837534010	L.02.01.L50017_0	16	4
F0825414000	A.05.01.L50017_0	24	2		L.02.03.L50020_0	46	5		L.02.01.L50017_1	16	4
	E.03.02.L50020_0	15	2		M.02.01.L50017_0	59	6		L.02.02.L50017_0	17	4
F0825417000	E.02.02.L50018_0	8	1		M.02.02.L50017_0	59			L.02.02.L50017_1	17	4
F0825420500	E.01.01.L50017_0	6	2	F0826038000	C.01.01.L50017_0	23	4		L.02.03.L50020_0	14	4
F0825420560	E.01.01.L50017_0	6,1	2	F0826039000	D.03.01.L50017_0	34	1		M.02.01.L50017_0	17	3
F0825420600	E.03.02.L50020_0	13	2		D.03.01.L50017_0	40	1		M.02.02.L50017_0	17	
F0825420660	E.03.02.L50020_0	13,1		F0826056000	L.01.01.L50017_0	6	2	F0837534060	D.13.01.L50017_0	12	2
F0825436000	B.08.01.L50017_0	7,3	1		M.01.01.L50017_0	7	3	F0838154010	D.12.01.L50017_0	54	2
	B.08.01.L50017_1	7,3	1		T.03.02.L50003_0	1,2	1		D.12.01.L50017_1	58	2
	B.08.01.L50017_2	7,3	1	F0828029070	A.02.04.L50021_0	1	1	F0838475000	C.01.01.L50017_0	9	2
	E.03.02.L50020_0	1,5	1	F0831047000	D.13.01.L50017_0	9	1	F0840563000	F.01.02.L50018_0	17	3
F0825436003	B.08.01.L50017_0	7,4	1	F0831065000	B.01.02.L50018_0	13	1	F0842512000	F.03.02.L50020_0	12	2
	B.08.01.L50017_1	7,4	1		F.03.02.L50020_0	29	1	F0843102000	D.08.01.L50017_0	11	0
	B.08.01.L50017_2	7,4	1	F0831125000	A.02.04.L50021_0	14	2		F.04.01.L50017_0	17	3
	E.03.02.L50020_0	1,6	1	F0835024010	F.02.02.L50018_0	16	1	F0843109020	D.03.01.L50017_0	17	1
F0825438000	E.03.02.L50020_0	5	1		L.02.01.L50017_0	26	6		F.04.01.L50017_0	20-gen	1

SPARE PARTS INSTANCE INDEX

Code	Parts Table	Pos.	Q.ty
F0843109020	L.02.01.L50017_0	24	2
	L.02.01.L50017_1	24	4
	L.02.02.L50017_0	25	2
	L.02.02.L50017_1	25	4
	L.02.03.L50020_0	28	2
	M.02.01.L50017_0	10	4
	M.02.02.L50017_0	10	
F0843110010	F.03.02.L50020_0	43	1
	L.02.01.L50017_0	30	1
	L.02.01.L50017_1	31	2
	L.02.02.L50017_0	31	1
	L.02.02.L50017_1	32	2
	L.02.03.L50020_0	36	2
	M.02.01.L50017_0	52	2
	M.02.02.L50017_0	52	
F0843116000	F.03.02.L50020_0	13	6
	L.02.01.L50017_0	41	1
	L.02.01.L50017_1	42	1
	L.02.03.L50020_0	49	1
	M.02.01.L50017_0	30	2
	M.02.01.L50017_0	62	1
	M.02.02.L50017_0	30	
F0843561000	A.02.04.L50021_0	24	1
F0843570000	A.01.02.L50018_0	11	1
	A.01.02.L50018_1	11	1
	A.03.02.L50018_0	15	2
	A.04.01.L50017_0	10	1
	B.01.02.L50018_0	24	12
	B.02.01.L50017_0	15	2
	B.04.02.L50020_0	20	4
	B.05.01.L50017_0	18	8
	C.01.01.L50017_0	47	10
	F.02.02.L50018_0	7	5
	F.03.02.L50020_0	41	1

Code	Parts Table	Pos.	Q.ty
F0843570000	F.04.01.L50017_0	6	3
	M.01.01.L50017_0	57	2
	M.01.01.L50017_0	63	1
F0843581010	D.03.01.L50017_0	7	2
F0843641000	D.03.01.L50017_0	11	2
	D.12.01.L50017_0	58	1
	D.12.01.L50017_1	62	1
F0843643060	A.01.02.L50018_0	4	7
	A.01.02.L50018_1	4	7
	A.02.04.L50021_0	5	5
	A.03.02.L50018_0	12	1
	A.05.01.L50017_0	11	4
	B.01.02.L50018_0	19	1
	B.02.01.L50017_0	9	4
	B.03.01.L50017_0	23	16
	B.04.02.L50020_0	25	6
	B.05.01.L50017_0	29	22
	B.10.01.L50020_0	15	16
	C.01.01.L50017_0	36	2
	C.02.01.L50017_0	11	2
	D.15.02.L50020_0	25	7
	F.01.02.L50018_0	22	7
	F.03.02.L50020_0	27	2
	F.03.02.L50020_0	8	4
	F.04.01.L50017_0	3	2
	L.01.01.L50017_0	10	2
	L.01.01.L50017_0	26	2
	L.02.01.L50017_0	9	7
	L.02.01.L50017_1	9	7
	L.02.02.L50017_0	9	7
	L.02.02.L50017_1	9	7
	L.02.03.L50020_0	9	6
	M.01.01.L50017_0	11	2
	M.01.01.L50017_0	36	2

Code	Parts Table	Pos.	Q.ty
F0843643060	M.02.01.L50017_0	9	13
	M.02.02.L50017_0	9	
	T.01.01.L50017_0	12	2
	T.01.02.L50017_0	15	2
F0843696000	B.12.02.L50017_0	12	4
F0843711000	D.15.02.L50020_0	37	4
F0843755000	A.01.02.L50018_0	8	7
	A.01.02.L50018_1	8	7
	A.03.02.L50018_0	6	8
	A.05.01.L50017_0	15	2
	B.04.02.L50020_0	8	6
	B.05.01.L50017_0	33	8
	C.01.01.L50017_0	11	2
	E.02.02.L50018_0	6	1
	F.01.02.L50018_0	24	4
	F.02.02.L50018_0	10	2
	F.03.02.L50020_0	4	6
	M.01.01.L50017_0	48	2
	T.01.01.L50017_0	7	8
	T.01.02.L50017_0	10	8
	T.04.01.L50018_0	15	9
F0843771000	D.07.01.L50017_0	15	5
	D.08.01.L50017_0	12	0
	F.04.01.L50017_0	18	9
F0843818000	B.04.02.L50020_0	10	6
	B.05.01.L50017_0	34	8
F0843841000	D.03.01.L50017_0	3	2
	F.04.01.L50017_0	11	1
F0843843060	B.03.01.L50017_0	31	8
	B.05.01.L50017_0	50	4
F0843878000	B.05.01.L50017_0	47	2
F0843907000	D.03.01.L50017_0	9	4
	F.01.02.L50018_0	11	1
	F.03.02.L50020_0	20	4

SPARE PARTS INSTANCE INDEX

Code	Parts Table	Pos.	Q.ty	Code	Parts Table	Pos.	Q.ty	Code	Parts Table	Pos.	Q.ty
F0843907000	F.04.01.L50017_0	14	10	F0848683500	W.01.02.L50017_0	5	1	F0852550010	L.02.01.L50017_1	40/01	2
F0843921030	B.01.02.L50018_0	27	2	F0848940000	W.01.01.L50017_0	7	1		L.02.02.L50017_0	40/01	2
	T.04.01.L50018_0	10	4	F0849206005	A.03.02.L50018_0	14	1		L.02.02.L50017_1	41/01	2
F0843948000	F.03.02.L50020_0	35	10	F0849500001	A.05.01.L50017_0	1,1	1		M.02.01.L50017_0	60/01	2
	F.04.01.L50017_0	9	1	F0849500002	A.05.01.L50017_0	1,2	1		M.02.02.L50017_0	60,1	
F0843957000	D.08.01.L50017_0	2	0	F0850100000	D.05.01.L50017_0	1	1	F0852550020	L.02.01.L50017_0	39/02	2
F0843993060	W.01.01.L50017_0	18	4	F0850100010	D.05.01.L50017_0	1	1		L.02.01.L50017_1	40/02	2
	W.01.02.L50017_0	13	4	F0850100020	D.05.01.L50017_0	1	1		L.02.02.L50017_0	40/02	2
F0844030070	A.01.02.L50018_0	14	1	F0851044000	D.01.01.L50017_0	30	3		L.02.02.L50017_1	41/02	2
	A.01.02.L50018_1	14	1	F0851156000	D.07.01.L50017_0	33	4		L.02.03.L50020_0	47/01	2
F0844150000	W.01.01.L50017_0	3	4	F0851226000	D.12.01.L50017_0	53	1		M.02.01.L50017_0	60/02	2
	W.01.02.L50017_0	3	4		D.12.01.L50017_1	57	1		M.02.02.L50017_0	60,2	
F0844273090	C.01.01.L50017_0	5	2	F0851260000	D.11.01.L50017_0	14	1	F0852550030	L.02.01.L50017_0	39/03	1
	C.03.01.L50017_0	5	1	F0851262000	D.07.01.L50017_0	34	4		L.02.01.L50017_1	40/03	1
	D.10.01.L50017_0	16	1		D.15.02.L50020_0	4	2		L.02.02.L50017_0	40/03	2
	L.02.01.L50017_0	43	1	F0851267050	D.07.01.L50017_0	35	3		L.02.02.L50017_1	41/03	2
	L.02.01.L50017_1	44	1		D.11.01.L50017_0	9	1		L.02.03.L50020_0	47/02	2
	L.02.02.L50017_0	42	1	F0851486000	L.01.01.L50017_0	31	1		M.02.01.L50017_0	60/03	2
	L.02.02.L50017_1	43	1		M.01.01.L50017_0	54	1		M.02.02.L50017_0	60,3	
	L.02.03.L50020_0	51	1		T.01.01.L50017_0	9,2	3	F0852550040	L.02.01.L50017_0	39/04	1
	M.02.01.L50017_0	62	1		T.01.02.L50017_0	12,2	3		L.02.01.L50017_1	40/04	1
	M.02.01.L50017_0	64	1		T.01.02.L50017_0	4,5			L.02.03.L50020_0	47/03	1
	M.02.02.L50017_0	62			T.01.02.L50017_0	5,5			M.02.01.L50017_0	60/04	1
F0847434000	D.07.01.L50017_0	37	5		T.03.01.L50003_0	5	2	F0854067050	B.07.01.L50017_0	27	1
	D.13.01.L50017_0	17	1		T.03.02.L50003_0	3	2	F0858021000	A.02.04.L50021_0	19	3
F0847462000	D.13.01.L50017_0	8	1		T.04.01.L50018_0	7	2		B.01.02.L50018_0	14	1
F0848655100	W.01.01.L50017_0	14	1	F0851497000	B.01.02.L50018_0	30	1	F0858520000	A.02.04.L50021_0	7	1
F0848664000	W.01.01.L50017_0	4	1		T.03.01.L50003_0	3	1	F0860060010	D.03.01.L50017_0	42	1
F0848679500	W.01.01.L50017_0	8	1	F0852107050	T.01.01.L50017_0	4,1	2	F0860060020	D.03.01.L50017_0	43	1
F0848679600	W.01.01.L50017_0	11	1		T.01.02.L50017_0	4,2	1	F0860091020	D.15.02.L50020_0	32	2
F0848680000	W.01.01.L50017_0	6	1		T.01.02.L50017_0	5,2	1	F0861867001	B.08.01.L50017_0	22	3
F0848681600	W.01.02.L50017_0	8	1	F0852538050	F.01.02.L50018_0	10	1		B.08.01.L50017_1	22	3
F0848681605	W.01.02.L50017_0	9	2	F0852540050	C.02.01.L50017_0	2	1		B.08.01.L50017_2	22	3
F0848683000	W.01.02.L50017_0	6	1	F0852550010	L.02.01.L50017_0	39/01	2	F0861867050	A.05.01.L50017_0	4	6

SPARE PARTS INSTANCE INDEX

Code	Parts Table	Pos.	Q.ty	Code	Parts Table	Pos.	Q.ty	Code	Parts Table	Pos.	Q.ty
F0861867050	E.01.01.L50017_0	3	6	F0862481000	M.02.02.L50017_0	35		F0864410500	W.01.02.L50017_0	2	4
F0861928050	B.10.01.L50020_0	30	4	F0862495010	B.12.02.L50017_0	11	4	F0865040000	B.08.01.L50017_0	1	1
F0861929060	B.03.01.L50017_0	5	16	F0862549000	D.08.01.L50017_0	14	0		B.08.01.L50017_1	1	1
	B.05.01.L50017_0	5	14	F0862593050	D.01.01.L50017_0	2	1		B.08.01.L50017_2	1	1
F0861941000	E.03.02.L50020_0	6	1		M.01.01.L50017_0	52	1	F0865474000	B.08.01.L50017_0	3	1
F0861973000	M.02.01.L50017_0	40	5	F0862655000	D.08.01.L50017_0	13	0		B.08.01.L50017_1	3	1
	M.02.02.L50017_0	40			D.10.01.L50017_0	14	4		B.08.01.L50017_2	3	1
F0862129000	F.03.02.L50020_0	47	2	F0862694000	D.03.01.L50017_0	21	1	F0865474005	B.08.01.L50017_0	3,1	1
F0862345000	D.03.01.L50017_0	6	2	F0862875000	B.10.01.L50020_0	6	1		B.08.01.L50017_1	3,1	1
	F.04.01.L50017_0	5	2	F0862944000	D.07.01.L50017_0	13	1		B.08.01.L50017_2	3,1	1
F0862448100	D.03.01.L50017_0	12	2	F0863183000	D.07.01.L50017_0	39	2	F0907170120	B.07.01.L50017_0	34	1
	D.12.01.L50017_0	57	1	F0863208050	M.01.01.L50017_0	46	1	P000000009122	W.01.01.L50017_0	12	1
	D.12.01.L50017_1	61	1	F0863267050	C.01.01.L50017_0	25	6	P000000260007	A.03.02.L50018_0	2	1
F0862462010	L.02.01.L50017_0	4	1	F0863311250	D.01.01.L50017_0	14	8		B.02.01.L50017_0	13	1
	L.02.01.L50017_1	4	1		D.09.01.L50017_0	5	8	P227332000000	F.03.02.L50020_0	21	1
	L.02.02.L50017_0	4	1	F0863358050	C.01.01.L50017_0	22	8	P236410000000	B.02.01.L50017_0	2	1
	L.02.02.L50017_1	4	1	F0863429000	L.01.01.L50017_0	4	4	P241171000000	L.02.01.L50017_1	28	1
	L.02.03.L50020_0	4	1		M.01.01.L50017_0	4	4		L.02.02.L50017_1	29	1
	M.02.01.L50017_0	4	1	F0863586000	B.10.01.L50020_0	28	6	P470330000000	D.12.01.L50017_1	67	1
	M.02.02.L50017_0	4		F0863890010	C.03.01.L50017_0	13	16	P470433000000	D.12.01.L50017_1	66	1
F0862464050	A.05.01.L50017_0	23	2	F0863925000	C.02.01.L50017_0	3	7	P988438000001	F.04.01.L50017_0	13	5
F0862478070	D.10.01.L50017_0	8	3		C.02.01.L50017_0	4/01	1				
F0862479020	B.08.01.L50017_0	16	4	F0863951000	C.02.01.L50017_0	5	1				
	B.08.01.L50017_1	16	4	F0863997010	C.02.01.L50017_0	4/02	1				
	B.08.01.L50017_2	16	4	F0864180000	T.03.01.L50003_0	8	8				
	B.10.01.L50020_0	20	8		T.03.02.L50003_0	6	8				
F0862479030	B.03.01.L50017_0	21	8	F0864222010	C.01.01.L50017_0	17	16				
	B.05.01.L50017_0	26	6	F0864245000	T.04.01.L50018_0	9	4				
F0862479032	B.05.01.L50017_0	27	2	F0864309100	B.03.01.L50017_0	34	2				
F0862479034	B.04.02.L50020_0	29	1	F0864314000	W.01.01.L50017_0	17	4				
F0862479035	B.04.02.L50020_0	19	3		W.01.02.L50017_0	12	4				
F0862479040	B.03.01.L50017_0	8	2	F0864379010	T.01.01.L50017_0	8,1	1				
	B.05.01.L50017_0	8	4		T.01.02.L50017_0	11,1	1				
F0862481000	M.02.01.L50017_0	35	1	F0864410500	W.01.01.L50017_0	2	4				